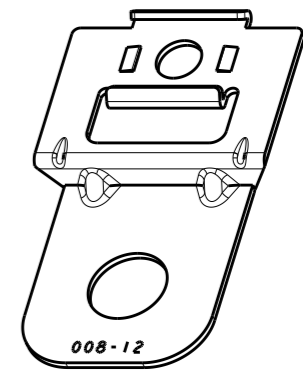
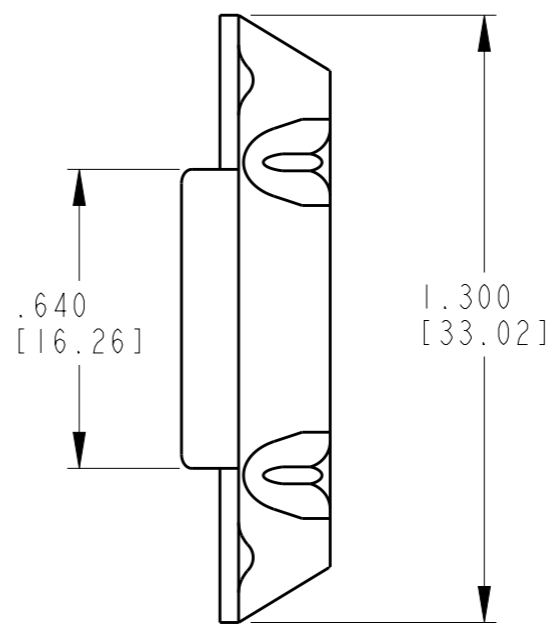
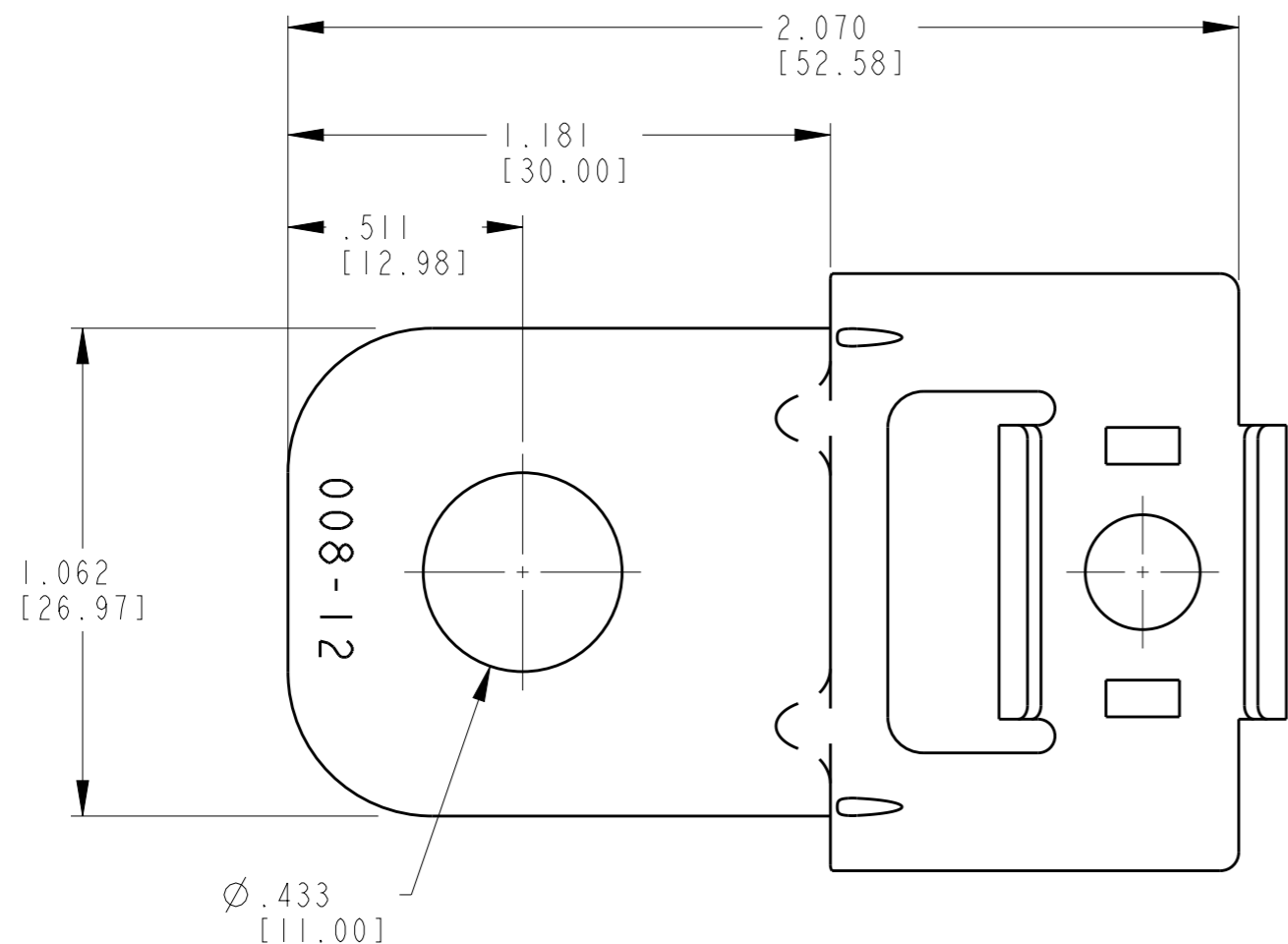
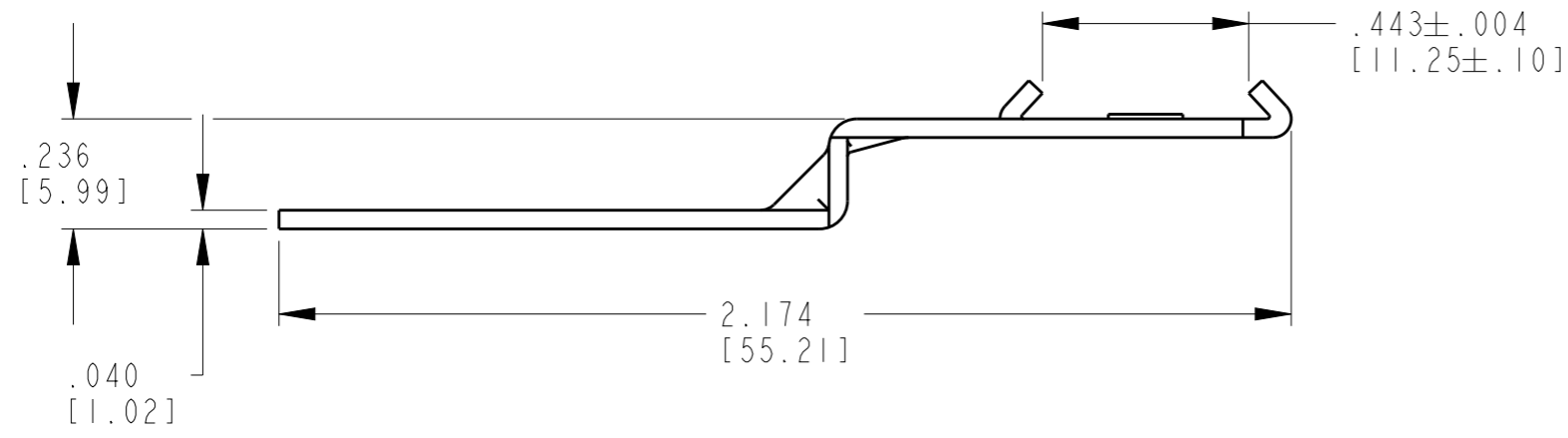


THIS DRAWING IS UNPUBLISHED
 RELEASED FOR PUBLICATION 2015
 © COPYRIGHT 2015 BY TE CONNECTIVITY ALL RIGHTS RESERVED.

LOC	DIST	REVISIONS			
P	LTR	DESCRIPTION	DATE	DWN	APVD
	A	NEW RELEASE	23DEC2015	DH	DM



3D VIEW



- 2. CLIP RETENTION FORCE SHALL BE 20 LBF [89] MINIMUM.
- 1. THIS PART MATES WITH DT, DTM, DTP, DTHD, DTCE RECEPTACLES OR OTHER PARTS WITH THE CLIP RETENTION FEATURE.

NOTES: UNLESS OTHERWISE SPECIFIED

THIS DRAWING IS A CONTROLLED DOCUMENT.		DWN D. HASIBUAN 12NOV2015		
DIMENSIONS: INCHES [mm]		CHK D. MEYER 23DEC2015		
TOLERANCES UNLESS OTHERWISE SPECIFIED:		APVD D. MEYER 23DEC2015	NAME METAL CLIP, 1MM HOLE SIDE MOUNTING BRACKET	
		PRODUCT SPEC	RESTRICTED TO	
0 PLC ± 1 PLC ± 2 PLC ± 3 PLC ±.025 [0.64] 4 PLC ± ANGLES ±0°30'0"		APPLICATION SPEC	SIZE A3	CAGE CODE 4AFU8
MATERIAL STEEL	FINISH ZINC	WEIGHT 12.1g	DRAWING NO C-1027-008-1200	SCALE NONE
CUSTOMER DRAWING			SHEET 1	OF 1
			REV A	