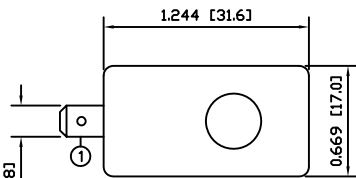
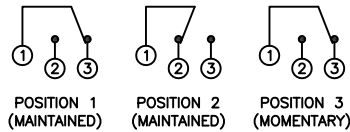


SCHMATIC

SPECIFICATIONS



0.189 [4.8] x 0.031 [0.8]



FUNCTION:
1P2T ON[2]–ON[1]–(ON[2])

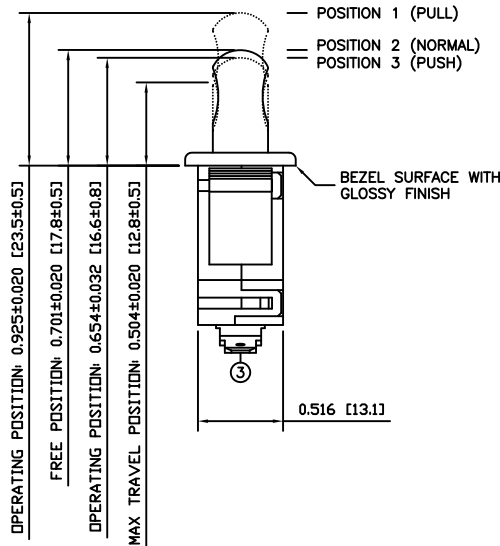
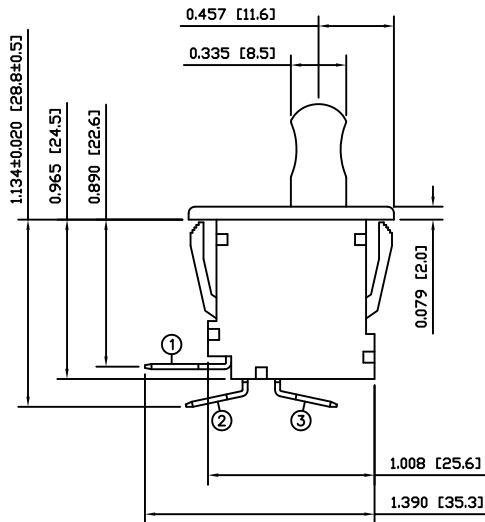
RATING:
ANSI/UL 1054 and CAN/CSA C22.2 No.55 (E194579):
16A 125VAC [cURus]
12A 250VAC [cURus]
1HP 125/250VAC [cURus]

CONTACT RESISTANCE:
Initial: 30mΩ Max.

TEMPERATURE:
Operating: 0°C to 85°C [cURus]

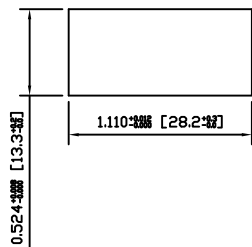
ELECTRICAL LIFE:
6,000 Cycles [cURus]

APPROVALS:



COLORS	MATERIALS
BODY: White	BODY: Polyamide 6/6 (PA66)
ACTUATOR: White	ACTUATOR: Polyamide 6/6 (PA66)
	SPRING: Steel (65Mn)
	SPRING POLE: Polyamide 6/6 (PA66)
	HOOK SPRING: Stainless Steel (1Cr13)
	ACTUATION LEVER: Brass (H62)
	MOBILE CONTACT BAR: Bronze (QSn6.5)
	MOBILE CONTACT: Silver/Nickel (AgNi(10))
	STATIONARY CONTACT: Silver/Nickel Clad Copper (AgNi(10)/Cu)
	TERMINALS: Silver Plated Brass (H62)

SUGGESTED PANEL CUTOUT



ACTUATOR	B	10/03/16	CAB
BODY	B	10/03/24	CAB
COLORS	A	09/10/23	CAB
MATERIALS	B	10/03/16	CAB
SPECIFICATIONS	C	10/03/16	CAB
REFERENCE	REV.	DATE	BY

THE INFORMATION CONTAINED IN THIS DOCUMENT IS PROPRIETARY TO E-SWITCH AND IS NOT TO BE COPIED OR TRANSFERRED

B	CORRECTED DIMENSIONS	19001	10/03/24	CAB
A	INITIAL RELEASE	PCRD0223	09/12/09	CAB
REV.	DESCRIPTION	PCR	DATE	DRAWN BY

DIMENSIONS	
INCHES [MILLIMETERS]	
GENERAL TOLERANCES	
±0.008 [±0.2] / ±1'	
SCALE	PROJECTION
DRAWING NOT TO SCALE	

TITLE PP1-DT7-2B2	
ITEM NUMBER 34-PP1DT72B2	DATE MARCH 24, 2010
	REVISION B