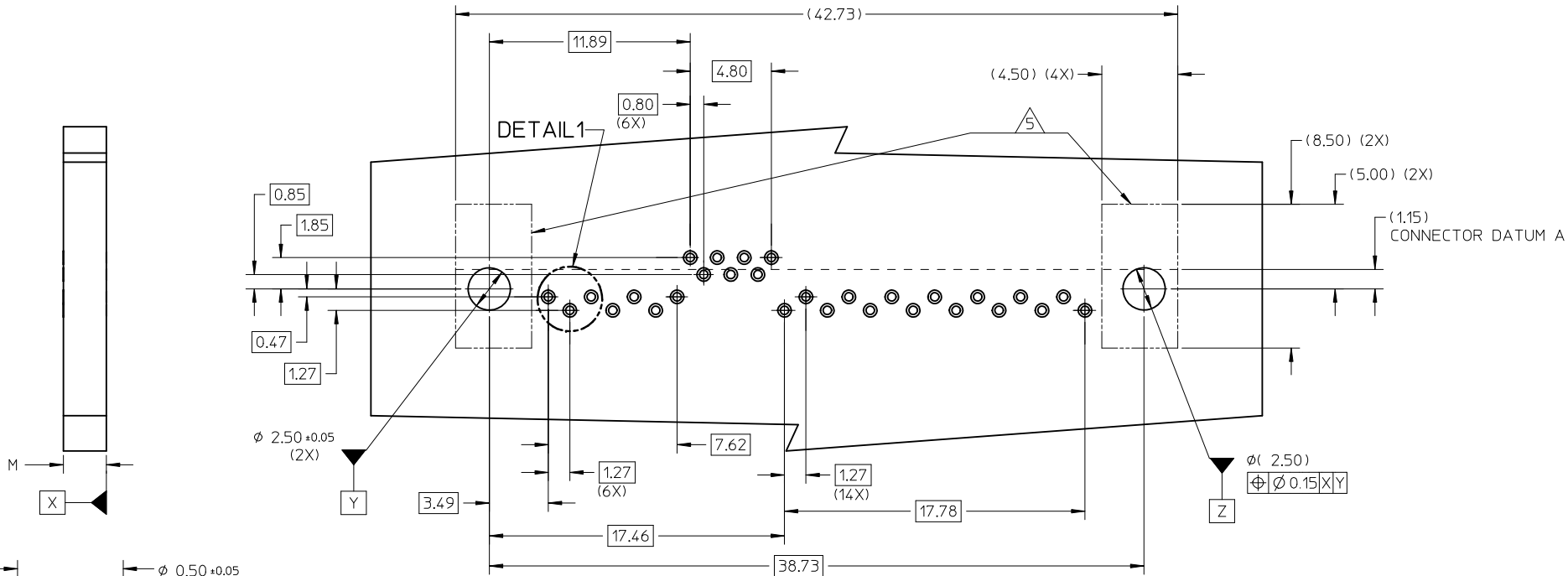
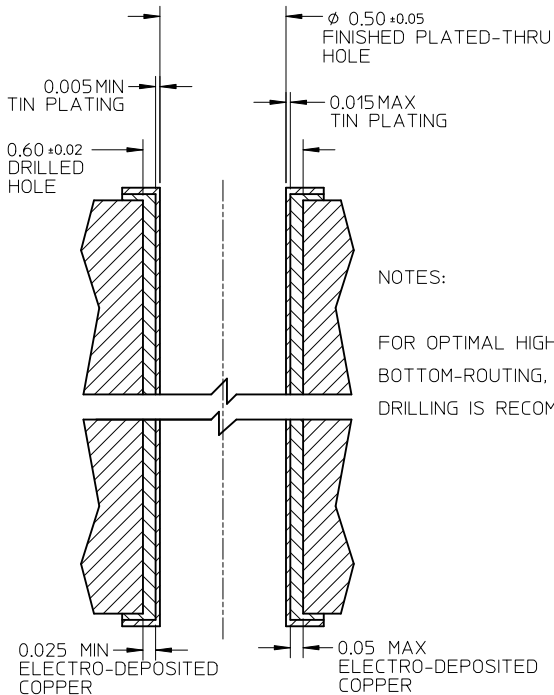


| | | | | | | |
|--|-----------------|---|---|----------|---|------------------------|
| UPDATE DIM M EC NO: S2011-0488 DR: WATSEE CHK: SKANG APPR: MLONG 2010/12/02 2010/12/13 2010/12/13 | QUALITY SYMBOLS | GENERAL TOLERANCES (UNLESS SPECIFIED) | DIMENSION STYLE | SCALE | DESIGN UNITS | THIRD ANGLE PROJECTION |
| | ▼=0 ◻=0 | mm INCH 4 PLACES ± --- ± --- 3 PLACES ± --- ± --- 2 PLACES ± 0.20 ± --- 1 PLACE ± --- ± --- ANGULAR ± 3 ° | MM ONLY | NTS | METRIC | |
| | DESCRIPTION | DRAFT WHERE APPLICABLE MUST REMAIN WITHIN DIMENSIONS | DRAWN BY: DKOH DATE: 2004/10/16 CHECKED BY: KCL ING DATE: 2004/11/15 APPROVED BY: SKTOH DATE: 2004/11/17 | TITLE | SERIAL ATTACH SCSI PRESS-FIT RECEPTACLE STANDARD HEIGHT | |
| | REV: C6 | | SEE TABLE | SIZE: A3 | MOLEX INCORPORATED DOCUMENT NO. SD-87863-059 | SHEET NO. 2 OF 4 |

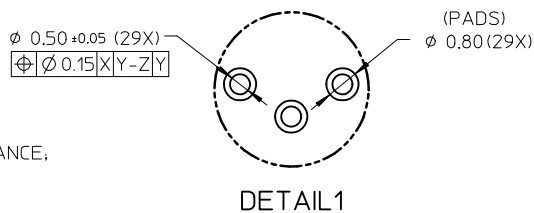


RECOMMENDED PCB LAYOUT

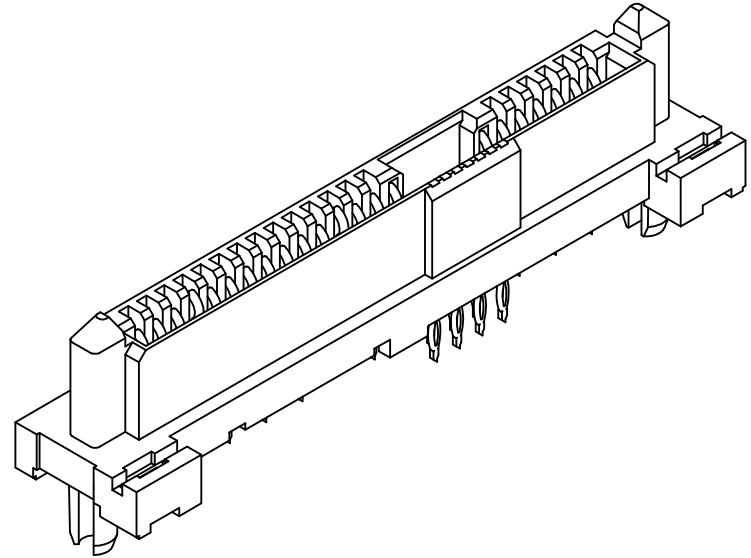
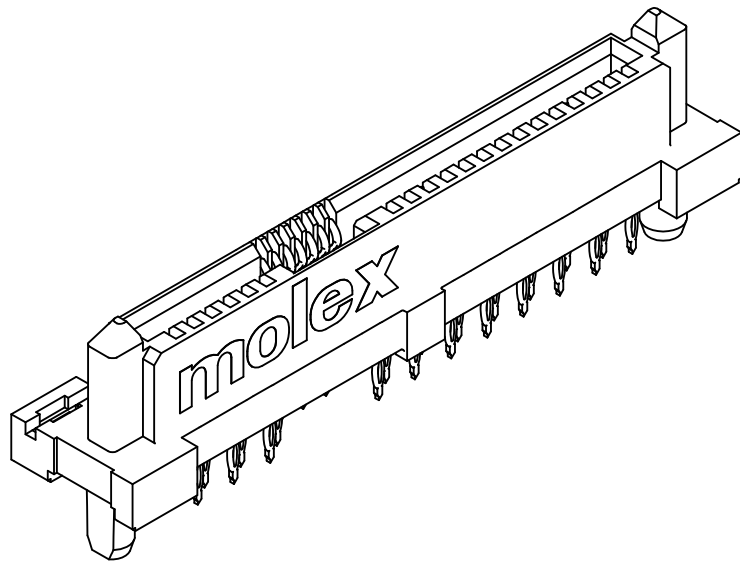


NOTES:

FOR OPTIMAL HIGH SPEED ELECTRICAL PERFORMANCE,
BOTTOM-ROUTING, THINNER PCBs AND/OR BACK
DRILLING IS RECOMMENDED.



| | | | | | | | | | |
|---|---|--|---------------------------------------|--------------|---|--------------|---|------------------------|--|
| UPDATE DIM M EC NO: S2011-0488 DRWN:ATSEE CHKD:SKANG APPR:MLONG | DESCRIPTION 2010/12/02 2010/12/13 2010/12/13 | QUALITY SYMBOLS | GENERAL TOLERANCES (UNLESS SPECIFIED) | | DIMENSION STYLE | SCALE | DESIGN UNITS | THIRD ANGLE PROJECTION | |
| | | ▽=0 ∠=0 | mm | INCH | MM ONLY | NTS | METRIC | | |
| C6 | REV | 4 PLACES | ± --- | ± --- | DRAWN BY | DATE | TITLE | | |
| | | 3 PLACES | ± --- | ± --- | DKOH | 2004/10/16 | SERIAL ATTACH SCSI PRESS-FIT RECEPTACLE STANDARD HEIGHT | | |
| | | 2 PLACES | ± 0.20 | ± --- | CHECKED BY | DATE | MOLEX INCORPORATED | | |
| | | 1 PLACE | ± --- | ± --- | KCL ING | 2004/11/15 | SD-87863-059 | | |
| | | ANGULAR ± 3 ° | | APPROVED BY | DATE | DOCUMENT NO. | | SHEET NO. | |
| | | DRAFT WHERE APPLICABLE MUST REMAIN WITHIN DIMENSIONS | | SKTOH | 2004/11/17 | SEE TABLE | | 3 OF 4 | |
| | | | | MATERIAL NO. | THIS DRAWING CONTAINS INFORMATION THAT IS PROPRIETARY TO MOLEX INCORPORATED AND SHOULD NOT BE USED WITHOUT WRITTEN PERMISSION | | | | |



| UPDATE DIM M EC NO: S2011-0488 DRW:ATSEE CHKD:SKANG APPR:MLONG C6 | 2010/12/02 2010/12/13 2010/12/13 | DESCRIPTION REV | QUALITY SYMBOLS ▽=0 ◻=0 | GENERAL TOLERANCES (UNLESS SPECIFIED) <table border="1"> <thead> <tr> <th></th> <th>mm</th> <th>INCH</th> </tr> </thead> <tbody> <tr> <td>4 PLACES</td> <td>± ---</td> <td>± ---</td> </tr> <tr> <td>3 PLACES</td> <td>± ---</td> <td>± ---</td> </tr> <tr> <td>2 PLACES</td> <td>± 0.20</td> <td>± ---</td> </tr> <tr> <td>1 PLACE</td> <td>± ---</td> <td>± ---</td> </tr> </tbody> </table> ANGULAR ± 3 ° | | mm | INCH | 4 PLACES | ± --- | ± --- | 3 PLACES | ± --- | ± --- | 2 PLACES | ± 0.20 | ± --- | 1 PLACE | ± --- | ± --- | DIMENSION STYLE MM ONLY DRAWN BY: DKOH CHECKED BY: KCLING APPROVED BY: SKTOH MATERIAL NO.: SEE TABLE | DATE: 2004/10/16 DATE: 2004/11/15 DATE: 2004/11/17 | SCALE: NTS DESIGN UNITS: METRIC THIRD ANGLE PROJECTION | TITLE: SERIAL ATTACH SCSI PRESS-FIT RECEPTACLE STANDARD HEIGHT MOLEX INCORPORATED DOCUMENT NO.: SD-87863-059 | SHEET NO.: 4 OF 4 |
|--|--|--------------------|-------------------------------|---|---|----|------|----------|-------|-------|----------|-------|-------|----------|--------|-------|---------|-------|-------|---|--|--|--|-------------------|
| | | mm | INCH | | | | | | | | | | | | | | | | | | | | | |
| | 4 PLACES | ± --- | ± --- | | | | | | | | | | | | | | | | | | | | | |
| | 3 PLACES | ± --- | ± --- | | | | | | | | | | | | | | | | | | | | | |
| 2 PLACES | ± 0.20 | ± --- | | | | | | | | | | | | | | | | | | | | | | |
| 1 PLACE | ± --- | ± --- | | | | | | | | | | | | | | | | | | | | | | |
| DRAFT WHERE APPLICABLE MUST REMAIN WITHIN DIMENSIONS | | | | SIZE: A3 | THIS DRAWING CONTAINS INFORMATION THAT IS PROPRIETARY TO MOLEX INCORPORATED AND SHOULD NOT BE USED WITHOUT WRITTEN PERMISSION | | | | | | | | | | | | | | | | | | | |