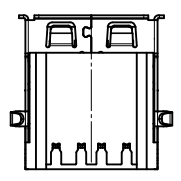
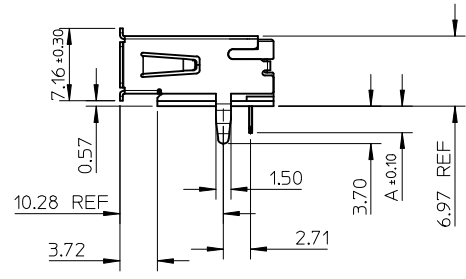
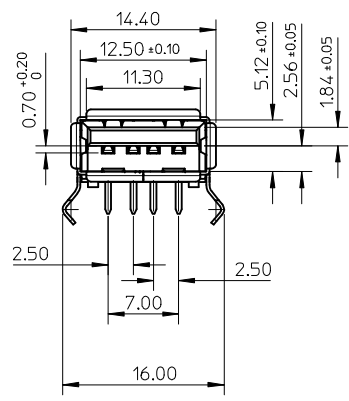


PCB LAYOUT (TOP VIEW)



- NOTES:
- MATERIAL:
METAL SHELL: COPPER ALLOY.
HOUSING: SEE CHART. 30% GLASS FIBER FILLED, UL94-V0.
TERMINAL: PHOSPHOR BRONZE
 - TERMINAL:
CONTACT AREA: GOLD FLASH.
(b) GOLD (Au), THICKNESS=0.76µM/ 30µMCH MINIMUM.
SOLDER TAIL: TIN PLATED, THICKNESS=1.9µM/ 75µMCH MINIMUM.
UNDER PLATED NICKEL (Ni), THICKNESS=1.25µM/ 50µMCH MINIMUM.
METAL SHELL: SEE CHART.
 - RECOMMENDED PCB THICKNESS: SEE CHART
 - PRODUCT SPECIFICATION: FOR IR REFER TO PS-67643-002
FOR NON IR REFER TO PS-67643-003
 - TORQUE FORCE SPEC: 2.50kg-cm Min, MEASURED AT BROKEN POINT.
 - TEST SUMMARY: FOR IR REFER TO TS-67643-002
FOR NON IR REFER TO TS-67643-003
 - PACKAGE: REFER TO PK-67643-002
 - LEAD FREE AND ROHS COMPLIANT PRODUCT

REVISE TO BRIGHT TIN EC NO: SH2014-0532 DRWN: FYANG05 CHKD: APPR: RZHANG 2014/06/17 2014/08/11	QUALITY SYMBOLS	GENERAL TOLERANCES (UNLESS SPECIFIED)	DIMENSION STYLE	SCALE	DESIGN UNITS	THIRD ANGLE PROJECTION
	$\nabla_A = 0$ $\nabla_C = 0$ $\nabla_P = 0$	mm INCH 4 PLACES ± --- ± --- 3 PLACES ± --- ± --- 2 PLACES ± 0.25 ± --- 1 PLACE ± 0.25 ± --- 0 PLACE ± --- ± ---	MM ONLY	2:1	METRIC	
	ANGULAR ± 3° DRAFT WHERE APPLICABLE MUST REMAIN WITHIN DIMENSIONS	DRAWN BY: FYANG05 DATE: 2013/12/12 CHECKED BY: DATE: APPROVED BY: DATE:	TITLE	USB A TYPE RECT SINGLE RA THROUGH HOLE W/O FLG LEAD-FREE molex		
	MATERIAL NO. SEE TABLE SIZE: A3 THIS DRAWING CONTAINS INFORMATION THAT IS PROPRIETARY TO MOLEX INCORPORATED AND SHOULD NOT BE USED WITHOUT WRITTEN PERMISSION	DOCUMENT NO. SD-67643-003	SHEET NO. 1 OF 2			

P/N	HOUSING MATERIAL	COLOR	CONTACT PLATING	METAL SHELL PLATING	REMARK
67643-0910	POLYESTER	BLACK	GOLD FLASH	BRIGHT TIN PLATED. THICKNESS= 1.25MM/50MNCH MINIMUM UNDER PLATE:NICKEL (Ni).	NON IR RPOCESEE
67643-2910	HIGH TEMPERATURE NYLON	BLACK			FOR IR
67643-3910	HIGH TEMPERATURE NYLON	WHITE	REFLOW PROCESS		
67643-2911	HIGH TEMPERATURE NYLON	BLACK	0.76MM/30MNCH		FOR IR
67643-3911	HIGH TEMPERATURE NYLON	WHITE			REFLOW PROCESS
PCB THICKNESS		1.60±0.05			
DIMENSION *A*		2.60			

P/N	HOUSING MATERIAL	COLOR	CONTACT PLATING	METAL SHELL PLATING	REMARK
67643-1930	HIGH TEMPERATURE NYLON	WHITE	GOLD FLASH	BRIGHT TIN PLATED. THICKNESS= 1.25MM/50MNCH MINIMUM UNDER PLATE:NICKEL (Ni).	REFLOW PROCESS
PCB THICKNESS		1.20±0.05			
DIMENSION *A*		2.00			

SEE SHEET1 EC NO: SHZ014-0532 DRWN:FYANG05 CHKD: APPR:RZHANG 2014/06/17 2014/08/11	DESCRIPTION REV	QUALITY SYMBOLS	GENERAL TOLERANCES (UNLESS SPECIFIED)	DIMENSION STYLE	SCALE	DESIGN UNITS	THIRD ANGLE PROJECTION
		$F_A=0$ $F_G=0$ $F_P=0$	mm INCH 4 PLACES ± --- ± --- 3 PLACES ± --- ± --- 2 PLACES ± 0.25 ± --- 1 PLACE ± 0.25 ± --- 0 PLACE ± --- ± ---	MM ONLY	2:1	METRIC	TITLE USB A TYPE RECT SINGLE RA THROUGH HOLE W/O FLG LEAD-FREE
			ANGULAR ± 3 ° DRAFT WHERE APPLICABLE MUST REMAIN WITHIN DIMENSIONS	DRAWN BY: FYANG05 DATE: 2013/12/12 CHECKED BY: DATE:	APPROVED BY: DATE:		
				MATERIAL NO. DOCUMENT NO.	SEE TABLE SD-67643-003	SHEET NO. 2 OF 2	

