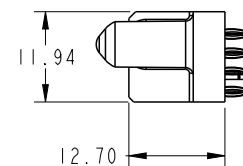
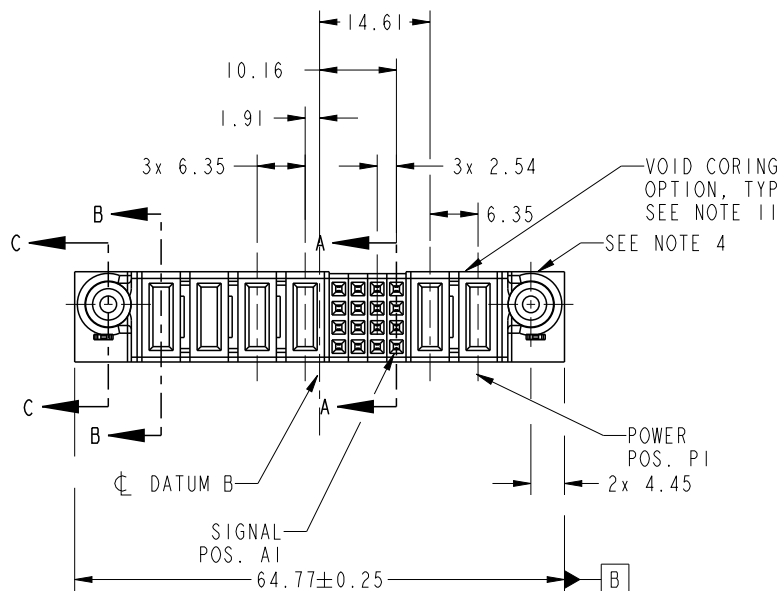


PRODUCT NO.	ROWS	POWER					SIGNAL					POWER	
		E2	P6	P5	P4	P3	4	3	2	1	P2	P1	E1
51940-559-- NOTE: 3	D C B A												

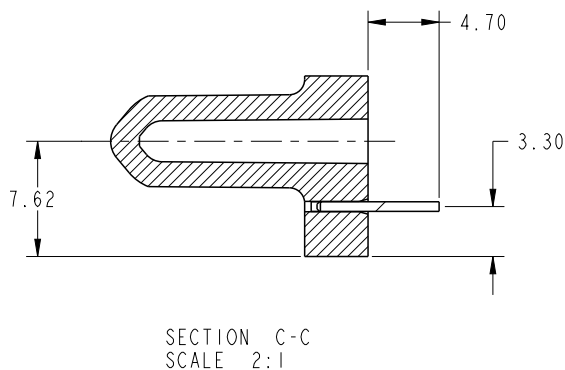
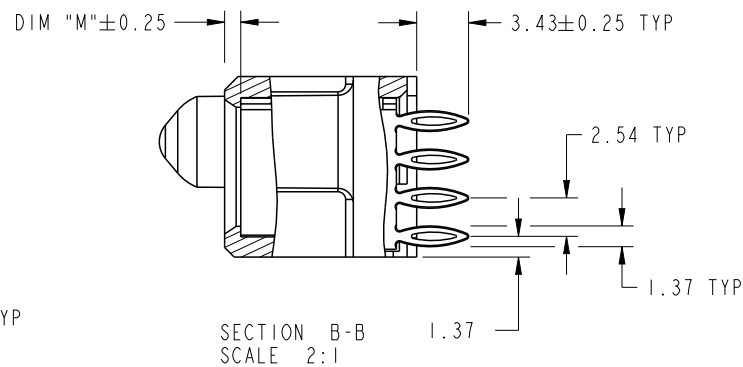
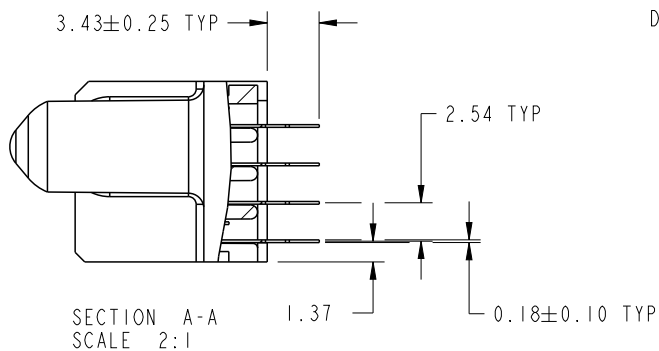


CODE	DIM "M" MATING LENGTH	CONTACT TYPE
PC	[1.07]	POWER
PF	[2.34]	POWER
F	[N/A]	SIGNAL
HA	[N/A]	HOLD-DOWN

spec ref	*	dr	Luo Weller	2014/11/19	projection	MM	size	A4	scale	1:1
tolerance std	TOLERANCES UNLESS OTHERWISE SPECIFIED	eng	Luo Weller	2014/11/23			ecn no	-		
SEE NOTE		chr	-	-	product family			PwrBlade	rel level	Released
surface	linear	0.X	±0.5		2P+16S+4P	dwg no	51940-559	rev	A	
		0.XX	±0.25							
		0.XXX	±0.1							
	angular	0°	±2°	www.fci.com	cat. no.	*	Product - Customer Drw	sheet 1 of 4		

PRODUCT NUMBER

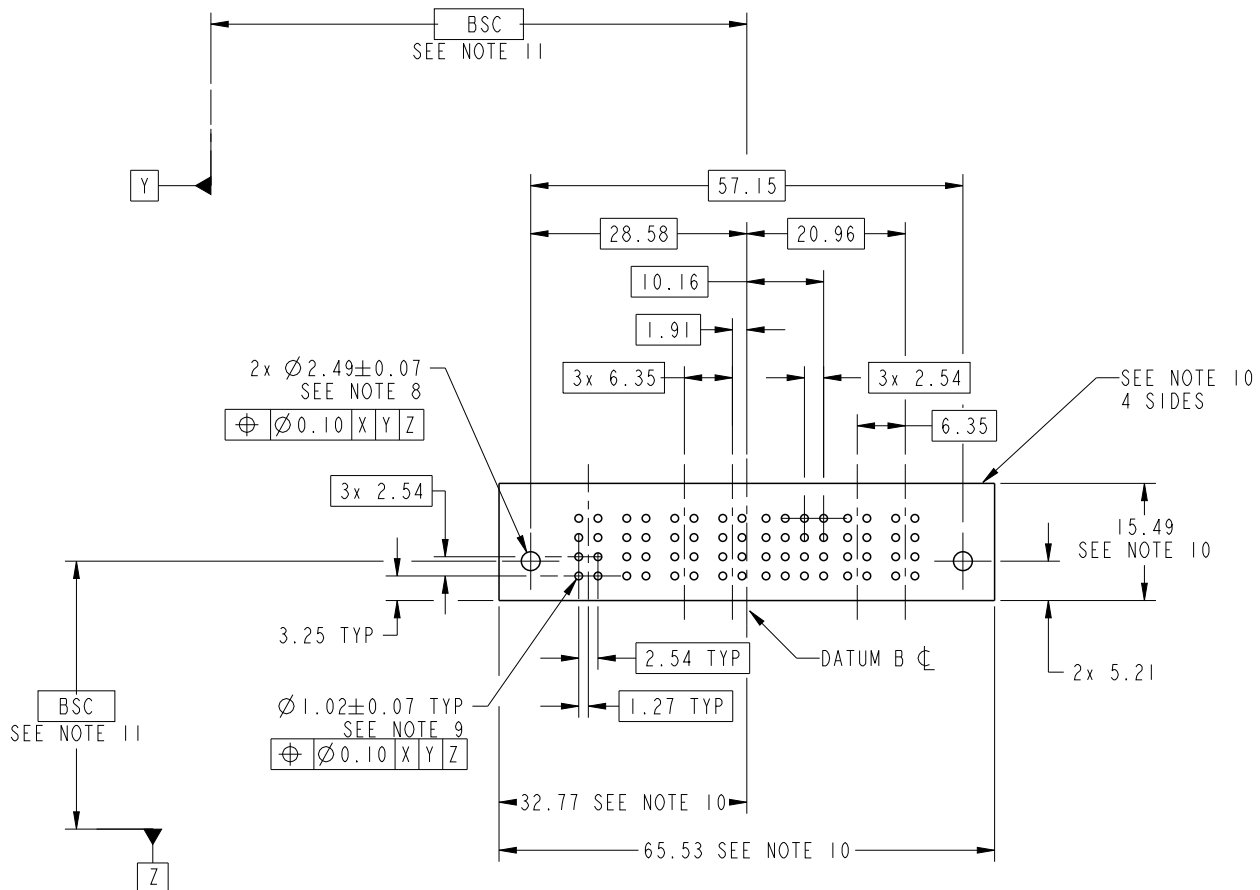
51940-559__
NOTE: 3



dr	Luo Weller	2014/11/19	projection 	MM 	size	A4	scale	1:1
eng	Luo Weller	2014/11/23			ecn no	-		
chr	-	-			rel level	Released		
appr	Pei-Ming Zheng	2014/11/23	product family	PwrBlade	rev	A		
		title 2P+16S+4P VERTICAL PF RECEPT	dwg no 51940-559	cat. no. *	Product - Customer Drw	sheet 2 of 4		

PRODUCT NUMBER

51940-559_-
NOTE: 3



RECOMMENDED PCB LAYOUT

dr	Luo Weller	2014/11/19	projection 	MM 	size	A4	scale	1:1
eng	Luo Weller	2014/11/23			ecn no	-		
chr	-	-			rel level	Released		
appr	Pei-Ming Zheng	2014/11/23	product family	PwrBlade				
		title			dwg no		rev	
www.fci.com		2P+16S+4P			51940-559		A	
cat. no.		* Product - Customer Drw			sheet 3 of 4			
		VERTICAL PF RECEPT						



Copyright FCI.

PRODUCT NUMBER

51940-559--
NOTE: 3

NOTES:

1. DIMENSIONS AND TOLERANCES ARE IN ACCORDANCE WITH ASME Y14.5M, 1994 UNLESS OTHERWISE SPECIFIED.

CONNECTOR NOTES:

- 2 HOUSING MATERIAL: UL 94 V-0 GLASS FILLED HIGH-TEMP THERMOPLASTIC
POWER CONTACT MATERIAL: COPPER ALLOY
SIGNAL PIN MATERIAL: COPPER ALLOY
- 3. SEE ITEM 7 & 8 IN PRINT 10064183 FOR PLATING SPEC OF 51940-559 AND 51940-559LF RESPECTIVELY.
- 4 MANUFACTURER'S NAME, DATE CODE AND OPTIONAL P/N TO APPEAR ON THIS SURFACE. THE MARK CAN BE OMITTED IF THERE IS NOT ENOUGH SPACE ON THIS SURFACE.
- 5. PRODUCT SPECIFICATION GS-12-149.
APPLICATION SPECIFICATION BUS-20-067.
- 6. PACKAGED IN TRAYS.
- PCB NOTES:
- 7. ALL HOLE DIAMETERS ARE FINISHED HOLE SIZE.
- 8 MOUNTING HOLES, WHERE APPLICABLE, ARE UNPLATED.
- 9 $\varnothing 1.151 \pm 0.025$ DRILLED HOLES PLATED WITH
0.008 MIN SnPb OR Sn OVER 0.03
TO 0.08 Cu PLATING TO ACHIEVE
 $\varnothing 1.02 \pm 0.07$ HOLE.
- 10 CONNECTOR KEEP-OUT ZONE.
- 11. THE VOID CORING IN BETWEEN POWER MODULES, SIGNAL MODULES AND END MODULES ARE OPTIONAL AND THE SHAPE MAY BE DIFFERENT FOR OPTIMIZE THE MOLDING PROCESS. THE VOID CORING WILL NOT EFFECT TO PRODUCT FUNCTION.
- 12. DATUM AND BASIC DIMENIONS ARE ESTABLISHED BY CUSTOMER.

dr	Luo Weller	2014/11/19	projection 	MM 	size	A4	scale	1:1			
eng	Luo Weller	2014/11/23			ecn no	-					
chr	-	-			product family	PwrBlade	rel level	Released			
appr	Pei-Ming Zheng	2014/11/23			title	2P+16S+4P		dwg no	51940-559	rev	A
www.fci.com		cat. no.	*	Product - Customer Drw			sheet 4 of 4				



Copyright FCI.