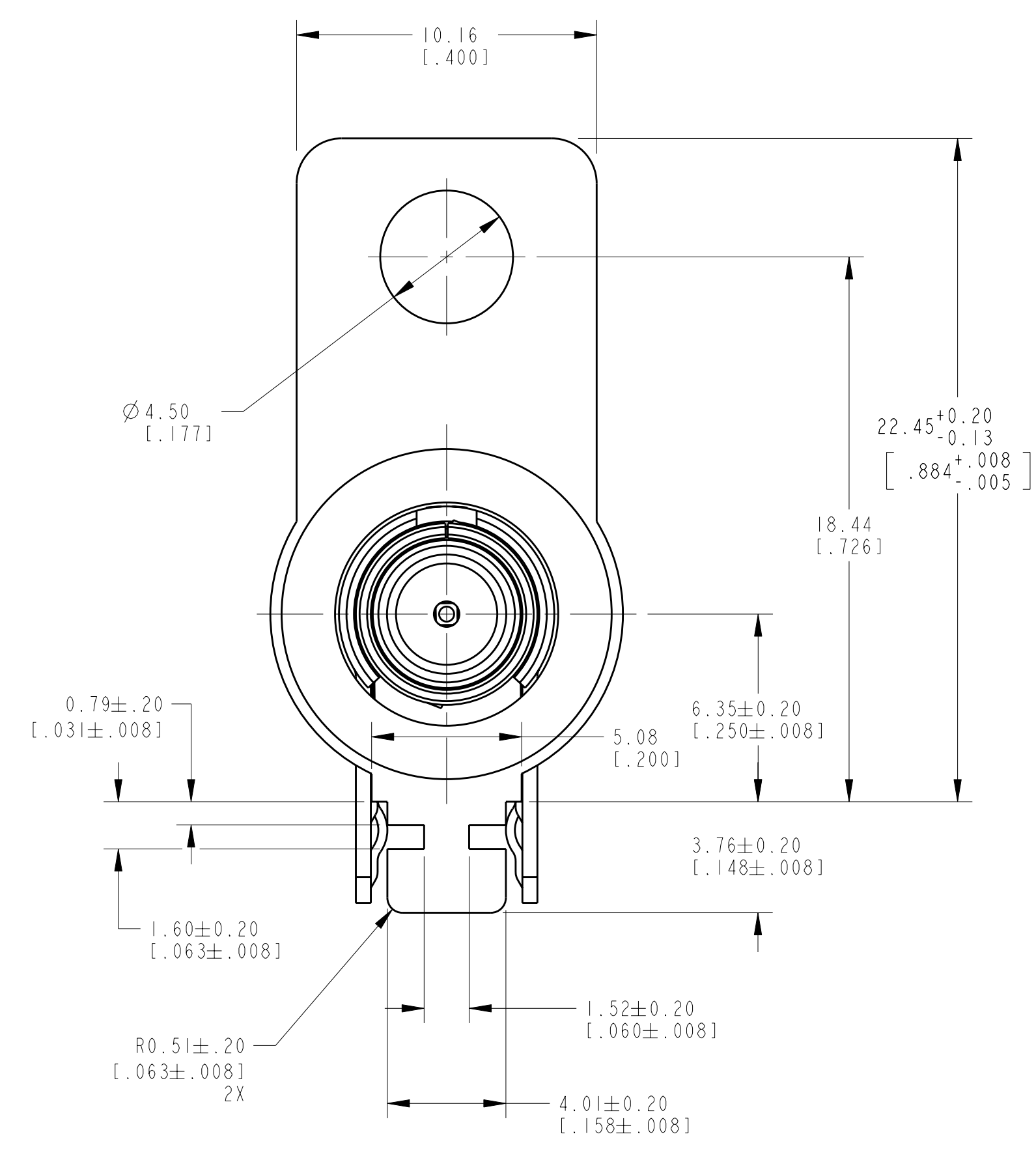
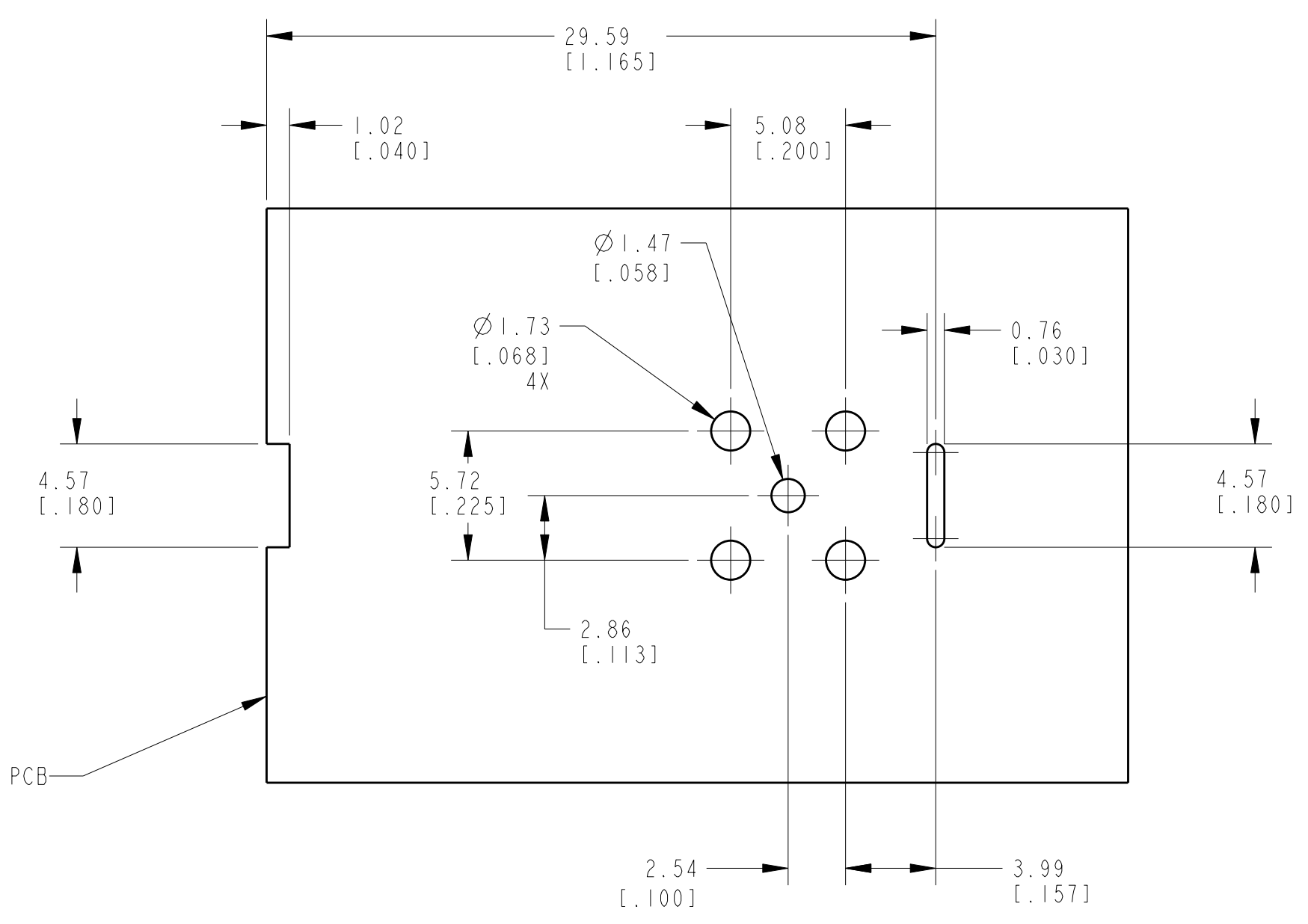
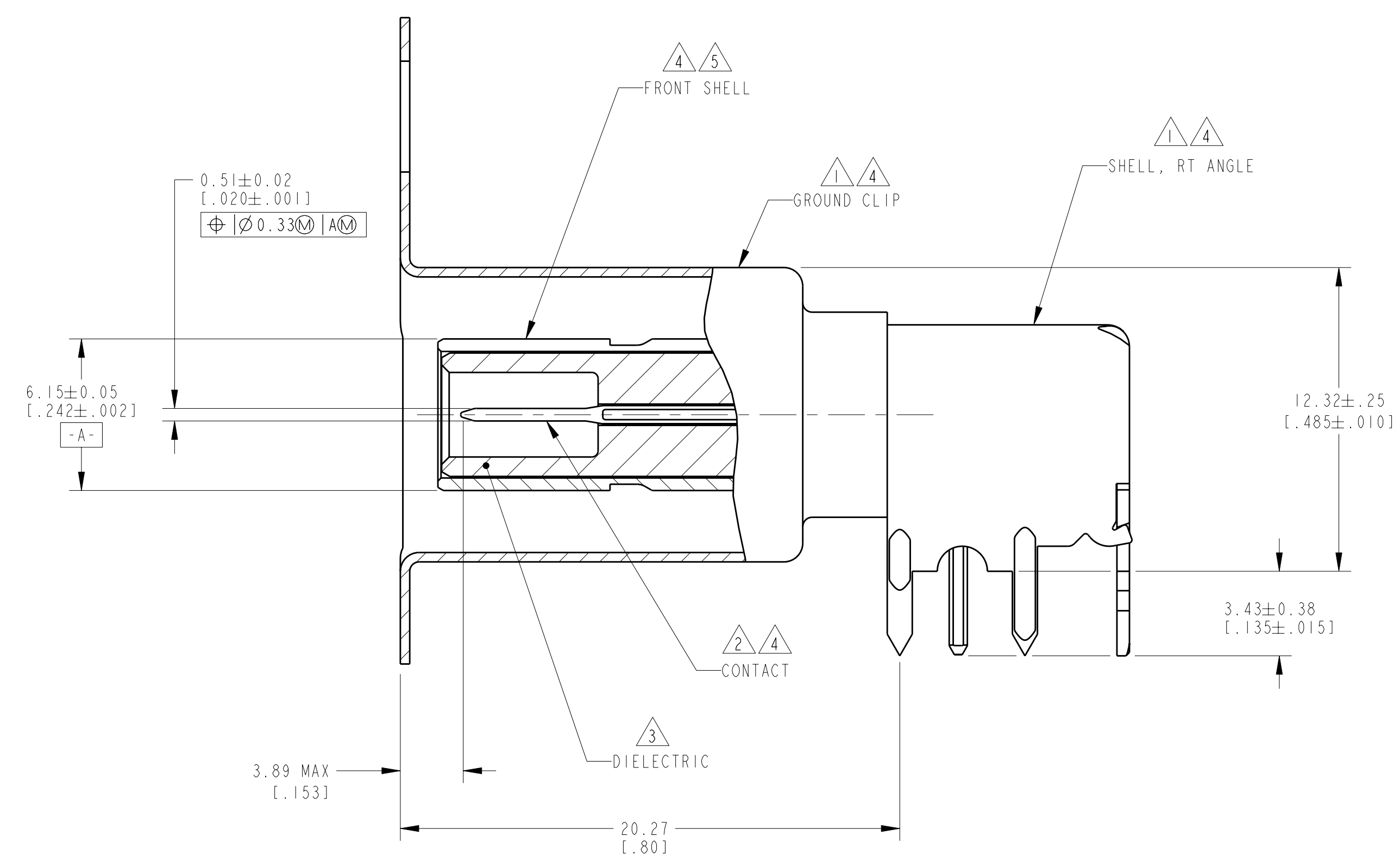


LOC	DIST	REV	DATE	BY	APPD
GE	00	J1	13MAR2012	DLD	LLV

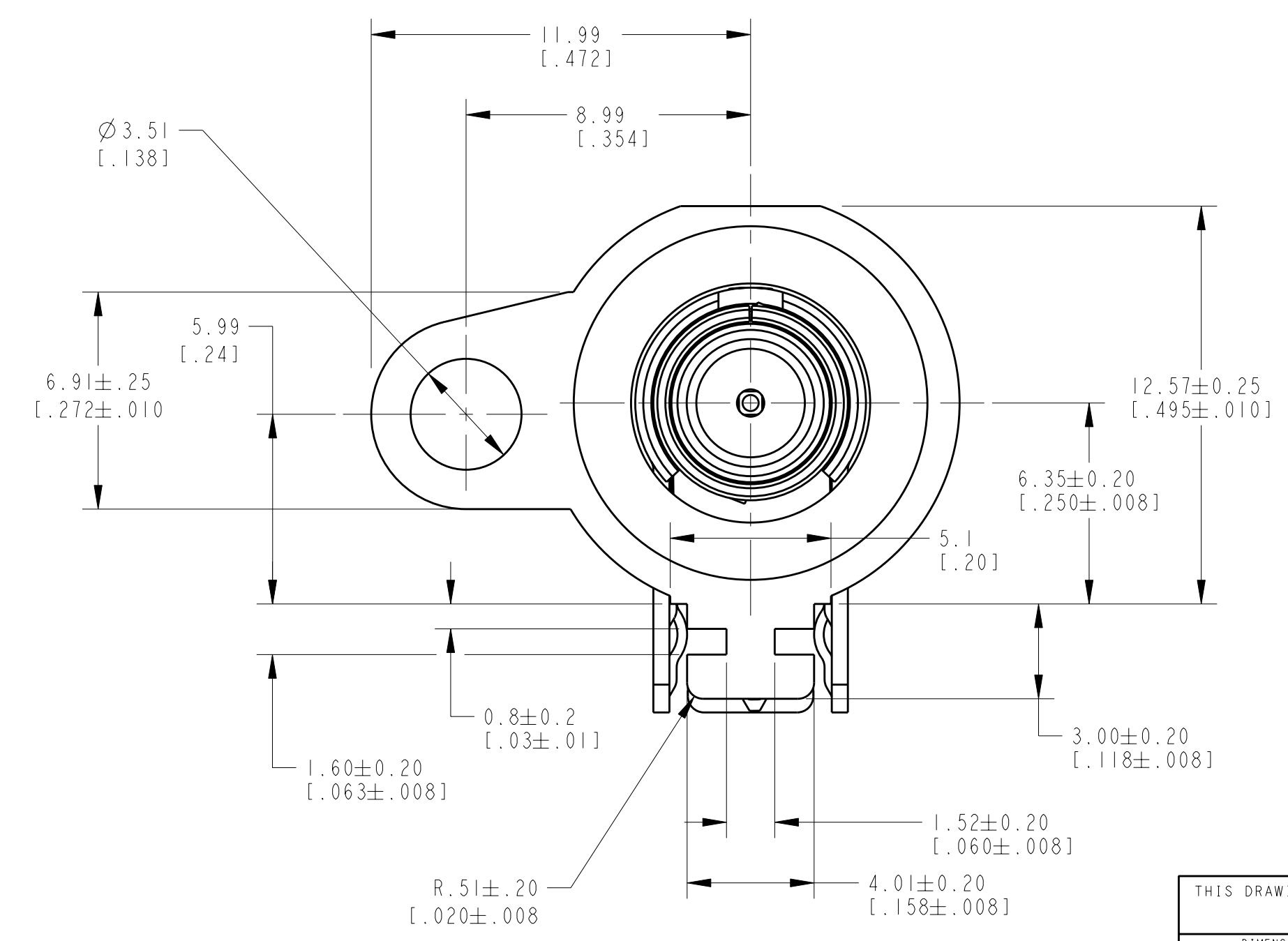
- 1 MATERIAL: BRASS PER ASTM-B-36
- 2 MATERIAL: BRASS PER ASTM-B-16
- 3 MATERIAL: TPX
- 4 FINISH: TIN PER ASTM-B-545
- 5 MATERIAL: BRASS PER ASTM-B-453
- 6 COMPANY LOGO



CONFIGURATION X



RECOMMENDED PCB LAYOUT FOR 1326508-1, -2 & -6
 PCB LAYOUT TOLERANCES:
 LOCATION = ±0.20 [0.008]
 FEATURE SIZES = ±0.10 [0.004]
 SCALE 4:1



CONFIGURATION Y

W, SH3	1326508-6
Z, SH2	1326508-3
Y	1326508-2
X	1326508-1
CONFIGURATION	PART NUMBER

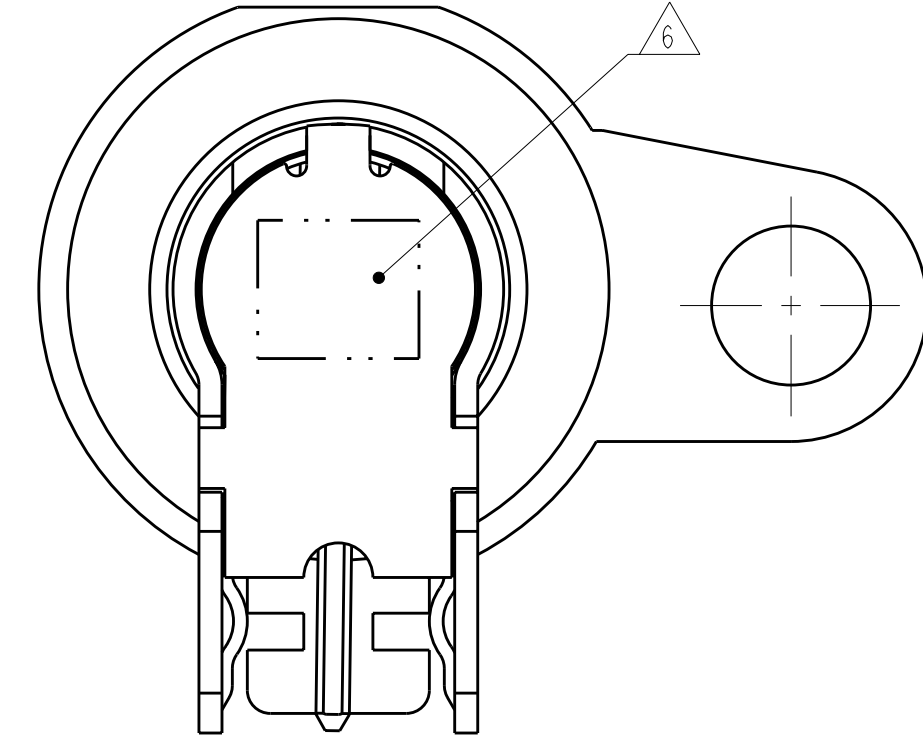
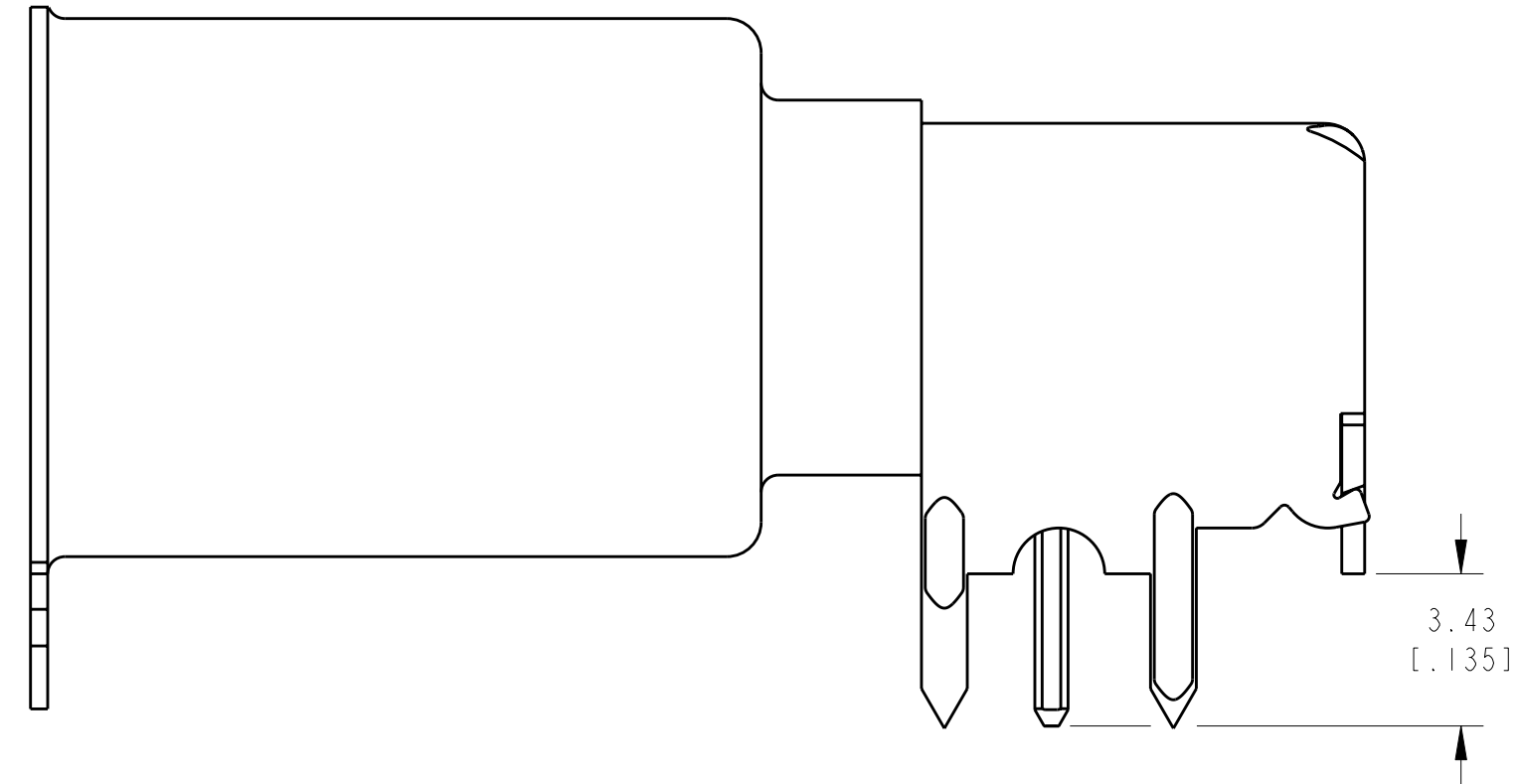
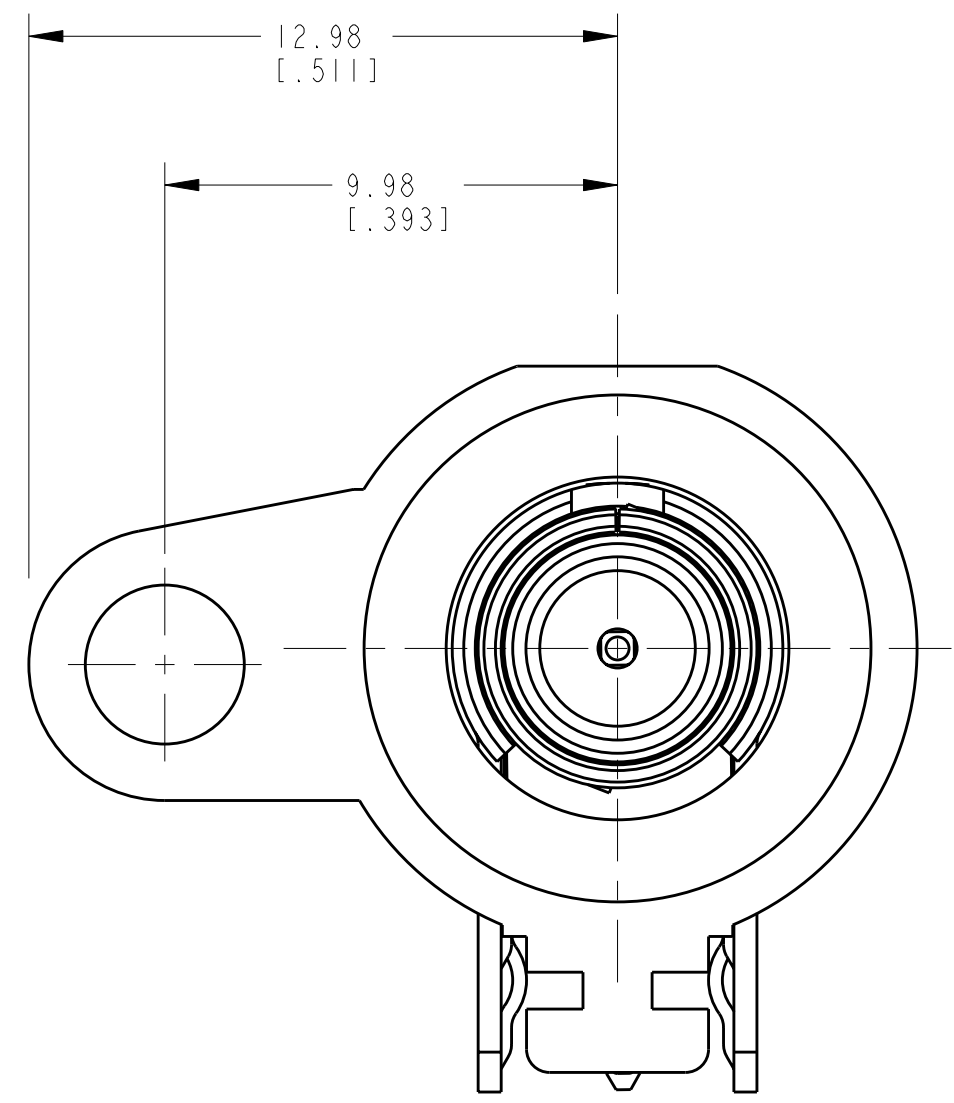
DIMENSIONS:		TOLERANCES UNLESS OTHERWISE SPECIFIED:		PRODUCT SPEC		APPLICATION SPEC		CUSTOMER DRAWING	
mm [INCHES]		9 PLC	±	9 PLC	±	114-13002		114-13002	
		3 PLC	±	3 PLC	±				
		5 PLC	±	5 PLC	±				
		4 PLC	±	4 PLC	±				
		ANGLES	±	ANGLES	±				
MATERIAL	SEE NOTES	FINISH	SEE NOTES	WEIGHT		SCALE	4:1	SHEET	1 OF 3



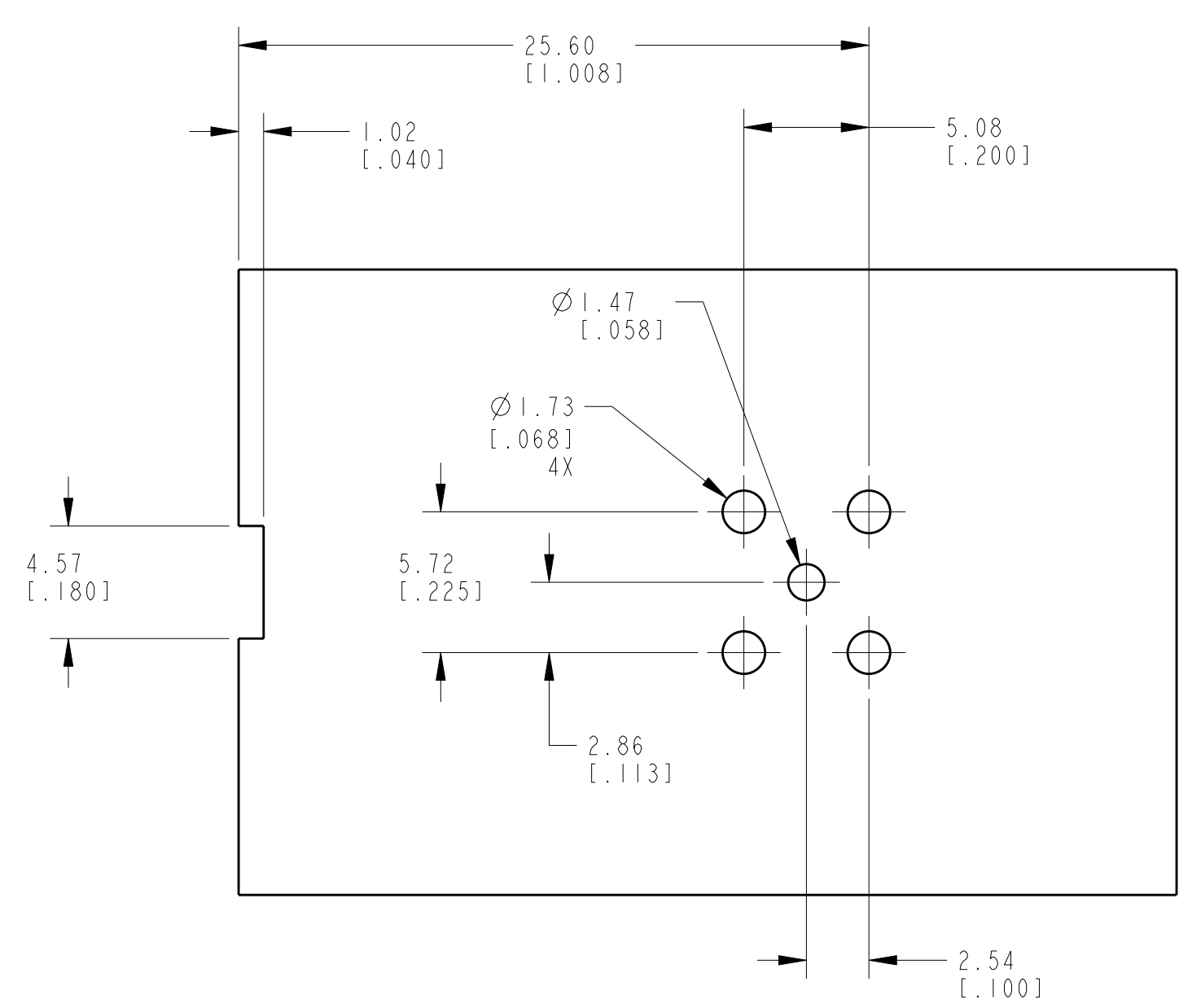
TE Connectivity
 PCB JACK, SNAP-LOCK

SIZE CAGE CODE DRAWING NO RESTRICTED TO
 A1 00779 C=1326508

LOC	DIST	REVISIONS			
		REV	DATE	BY	APPD
GE	00	-	-	-	-
		SEE SHEET 1			



CONFIGURATION Z

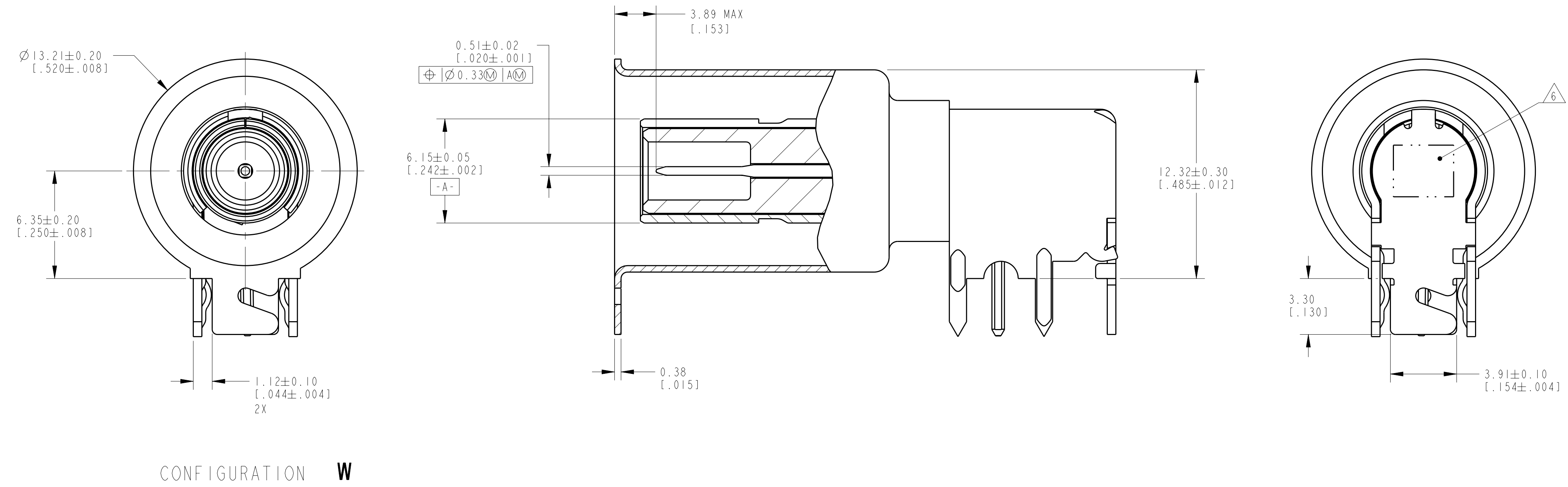


RECOMMENDED PCB LAYOUT
 FOR 1326508-3 ONLY
 PCB LAYOUT TOLERANCES:
 LOCATION = ±0.20[0.008]
 FEATURE SIZES = ±0.10[0.004]
 SCALE 4:1

THIS DRAWING IS A CONTROLLED DOCUMENT.		DWN A. HOLT	13NOV2002	TE Connectivity
DIMENSIONS: mm [INCHES]		CHK K. COBLE	13NOV2002	
TOLERANCES UNLESS OTHERWISE SPECIFIED:		APVD K. COBLE	13NOV2002	NAME PCB JACK, SNAP-LOCK
9 PLC ± 1 PLC ± 2 PLC ±0.13[0.005] 3 PLC ± 4 PLC ± ANGLES ± FINISH ±	PRODUCT SPEC APPLICATION SPEC 114-13002	SIZE CAGE CODE DRAWING NO A1 00779 C=1326508		RESTRICTED TO
MATERIAL SEE NOTES	FINISH SEE NOTES	WEIGHT CUSTOMER DRAWING		SCALE 4:1 SHEET 2 OF 3 REV J1

THIS DRAWING IS UNPUBLISHED. RELEASED FOR PUBLICATION 20
 BY: ALL RIGHTS RESERVED.

LOC	DIST	REV	DATE	BY	APPD
GE	00				



CONFIGURATION W

THIS DRAWING IS A CONTROLLED DOCUMENT.		DWN A. HOLT	13NOV2002	STE TE Connectivity
DIMENSIONS: mm [INCHES]		CHK K. COBLE	13NOV2002	
TOLERANCES UNLESS OTHERWISE SPECIFIED:		APVD K. COBLE	13NOV2002	NAME PCB JACK, SNAP-LOCK
0 PLC \pm	1 PLC \pm	PRODUCT SPEC		
2 PLC $\pm 0.13 (.005)$	3 PLC \pm	APPLICATION SPEC		
4 PLC \pm	ANGLES \pm	114-13002		SIZE CAGE CODE DRAWING NO A1 00779 C-1326508
MATERIAL SEE NOTES	FINISH SEE NOTES	WEIGHT		RESTRICTED TO
CUSTOMER DRAWING		SCALE	6:1	SHEET 3 OF 3 REV J