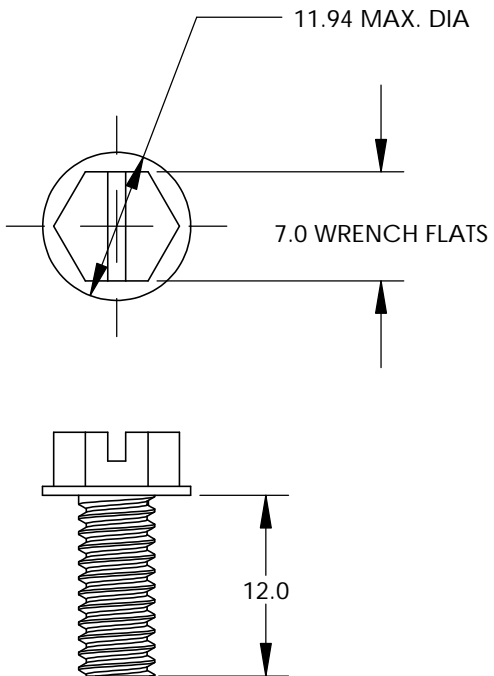


THIS COPY IS PROVIDED ON A RESTRICTED BASIS AND IS NOT TO BE USED IN ANY WAY DETRIMENTAL TO THE INTERESTS OF PANDUIT CORP.

PANDUIT PART NUMBER	QUANTITY
RGTSM5-C	100



NOTES:

1. PAINT PIERCING THREAD DESIGN TO PROVIDE GROUNDING CONNECTION TO THE RACK.
2. M5 SLOTTED HEX HEAD THREAD FORMING SCREW.
3. MATERIAL: CLEAR TRIVALENT ZINC PLATED LOW CARBON STEEL
4. PANDUIT PART NUMBER: RGTSM5-C
5. DIMENSIONS ARE IN MILLIMETERS.
6. ALL COMPONENTS THAT MAKE UP THIS PART ARE RoHS COMPLIANT.

C41616\_00

**PANDUIT CORP.** TINLEY PARK, ILLINOIS

M5 SLOTTED HEX HEAD  
 THREAD FORMING SCREW (RGTSM5)  
 CUSTOMER DRAWING

00	12/05	JHNU	RGB	DRAWING RELEASED	PC00232				DRAWN BY JHNU	CHK'D	SCALE NONE	DRAWING NO / CAD FILE C41616
REV	DATE	BY	CHK	DESCRIPTION	ECN	PM	APP					