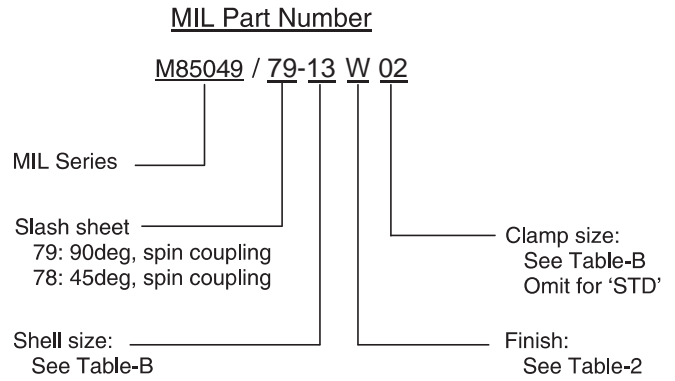
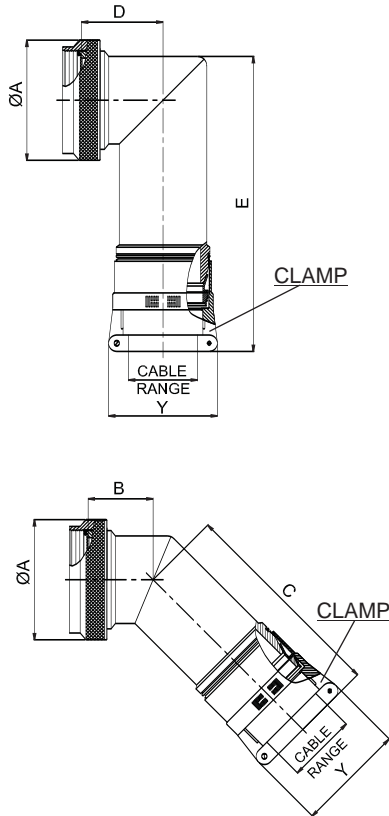


Connector Group - L

90°, 45°



**NOTE:** \* For more cable entry options, contact factory

TABLE - B														
MIL PART NUMBER DESIGNATOR		CONNECTOR SHELL SIZE/CODE (REF.)	CABLE RANGE				A DIA. (MAX)		B (MAX)		C (MAX)		D (MAX)	
CONNECTOR SHELL SIZE	CLAMP SIZE		MIN		MAX		INCH	MM	INCH	MM	INCH	MM	INCH	MM
			INCH	MM	INCH	MM								
09	01	09 / A	0.06	1.57	0.13	3.18	0.75	19.05	0.46	11.68	3.15	80.01	0.69	17.53
	02		0.13	3.18	0.25	6.35								
11	01	11 / B	0.06	1.57	0.13	3.18	0.85	21.59	0.52	13.21	3.21	81.53	0.78	19.81
	02		0.13	3.18	0.25	6.35								
	03		0.25	6.35	0.38	9.53								
13	02	13 / C	0.13	3.18	0.25	6.35	1.00	25.40	0.58	14.73	3.27	83.06	0.80	20.32
	03		0.25	6.35	0.38	9.53								
	04		0.38	9.53	0.50	12.70								
15	02	15 / D	0.13	3.18	0.25	6.35	1.15	29.21	0.65	16.51	3.36	85.34	0.88	22.35
	03		0.25	6.35	0.38	9.53								
	04		0.38	9.53	0.50	12.70								
	05		0.50	12.70	0.63	15.88								
17	02	17 / E	0.13	3.18	0.25	6.35	1.25	31.75	0.74	18.80	3.47	88.14	0.93	23.62
	03		0.25	6.35	0.38	9.53								
	04		0.38	9.53	0.50	12.70								
	05		0.50	12.70	0.63	15.88								
	06		0.63	15.88	0.75	19.05								

Table Continued

### Connector Group - L

90°, 45°

TABLE - B														
MIL PART NUMBER DESIGNATOR		CONNECTOR SHELL SIZE/CODE (REF.)	CABLE RANGE				A DIA. (MAX)		B (MAX)		C (MAX)		D (MAX)	
CONNECTOR SHELL SIZE	CLAMP SIZE		MIN		MAX		INCH	MM	INCH	MM	INCH	MM	INCH	MM
			INCH	MM	INCH	MM								
19	03	19 / F	0.25	6.35	0.38	9.53	1.40	35.56	0.93	23.62	3.66	92.96	1.01	25.65
	04		0.38	9.53	0.50	12.70								
	05		0.50	12.70	0.63	15.88								
	06		0.63	15.88	0.75	19.05								
	07		0.75	19.05	0.88	22.23								
21	03	21 / G	0.25	6.35	0.38	9.53	1.55	39.37	0.93	23.62	3.66	92.96	1.06	26.92
	04		0.38	9.53	0.50	12.70								
	05		0.50	12.70	0.63	15.88								
	06		0.63	15.88	0.75	19.05								
	07		0.75	19.05	0.88	22.23								
	08		0.88	22.23	1.00	25.40								
23	03	23 / H	0.25	6.35	0.38	9.53	1.65	41.91	1.02	25.91	3.81	96.77	1.17	29.72
	04		0.38	9.53	0.50	12.70								
	05		0.50	12.70	0.63	15.88								
	06		0.63	15.88	0.75	19.05								
	07		0.75	19.05	0.88	22.23								
	08		0.88	22.23	1.00	25.40								
	19		1.00	25.40	1.13	28.58								
25	04	25 / J	0.38	9.53	0.50	12.70	1.85	46.99	1.02	25.91	3.81	96.77	1.18	29.97
	05		0.50	12.70	0.63	15.88								
	06		0.63	15.88	0.75	19.05								
	07		0.75	19.05	0.88	22.23								
	08		0.88	22.23	1.00	25.40								
	09		1.00	25.40	1.13	28.58								
	10		1.13	28.58	1.25	31.75								

Table Continued

Connector Group - L

90°, 45°

TABLE - B						
MIL PART NUMBER DESIGNATOR		CONNECTOR SHELL SIZE/CODE (REF.)	E (MAX)		Y (MAX)	
CONNECTOR SHELL SIZE	CLAMP SIZE		INCH	MM	INCH	MM
09	01	09 / A	3.46	87.88	0.80	20.32
	02				1.00	25.40
11	01	11 / B	3.58	90.93	0.80	20.32
	02				1.00	25.40
	03				1.10	27.94
13	02	13 / C	3.60	91.44	1.00	25.40
	03				1.10	27.94
	04				1.20	30.48
15	02	15 / D	3.67	93.22	1.00	25.40
	03				1.10	27.94
	04				1.20	30.48
	05				1.25	31.75
17	02	17 / E	3.76	95.50	1.00	25.40
	03				1.10	27.94
	04				1.20	30.48
	05				1.25	31.75
	06				1.40	35.56
19	03	19 / F	3.93	99.82	1.10	27.94
	04				1.20	30.48
	05				1.25	31.75
	06				1.40	35.56
	07				1.50	38.10
21	03	21 / G	3.93	99.82	1.10	27.94
	04				1.20	30.48
	05				1.25	31.75
	06				1.40	35.56
	07				1.50	38.10
	08				1.65	41.91
23	03	23 / H	4.04	102.62	1.10	27.94
	04				1.20	30.48
	05				1.25	31.75
	06				1.40	35.56
	07				1.50	38.10
	08				1.65	41.91
	09				1.75	44.45
25	04	25 / J	4.04	102.62	1.20	30.48
	05				1.25	31.75
	06				1.40	35.56
	07				1.50	38.10
	08				1.65	41.91
	09				1.75	44.45
	10				1.90	48.26