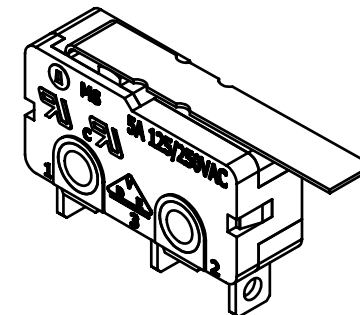
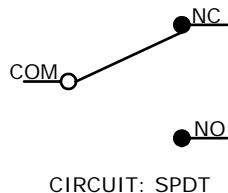
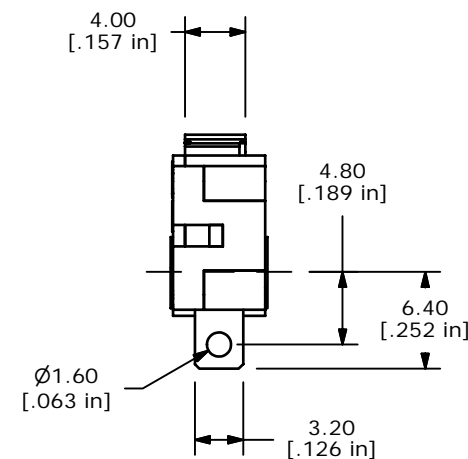
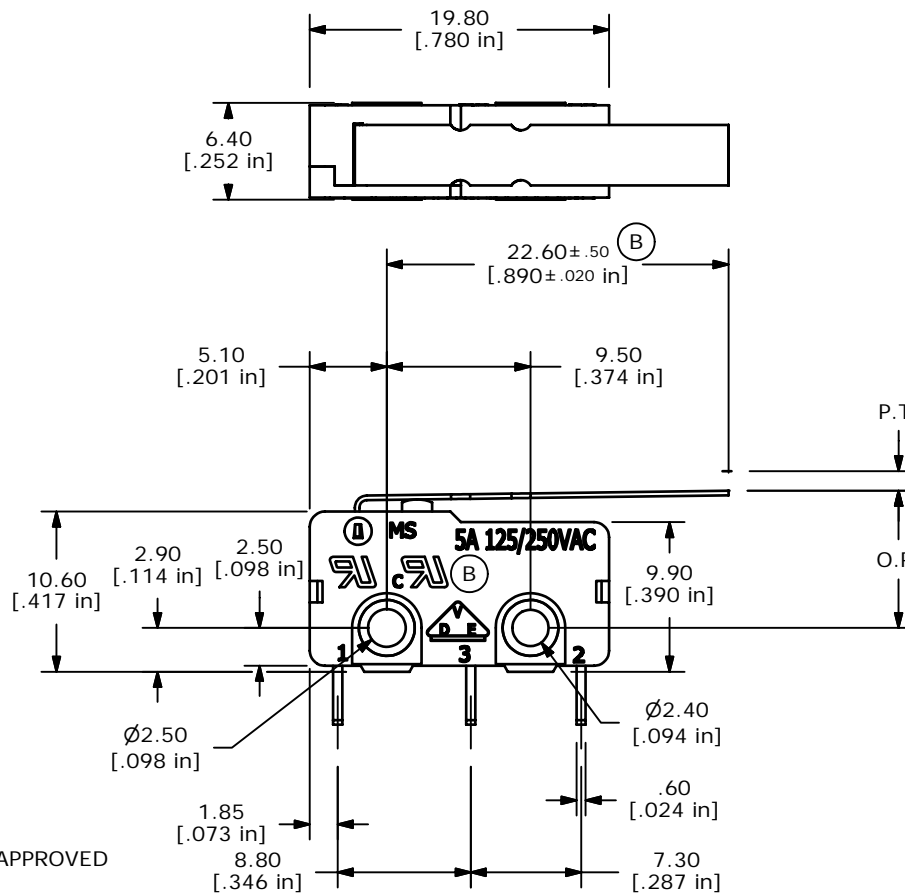


O.P. (MM)	P.T. (MM)
9.5 ±0.8	4.2 MAX

O.P. = OPERATING POINT
P.T. = PRE-TRAVEL



ISOMETRIC



- NOTES:
1. ALL DIMENSIONS IN MM [INCH]
 2. GENERAL TOLERANCE: X.X±0.4
X.XX±0.25
 3. RATING: 5A @125/250VAC UL, CUL, VDE, APPROVED
 - ▲ 4. OPERATING FORCE: 040± 20 GRAMS
 5. OPERATING TEMP: -25°C TO 85°C
 6. ELECTRICAL LIFE: 50,000 CYCLES MIN. (B)
 7. MECHANICAL LIFE: 1,000,000 CYCLES TYP. (B)
 8. INSULATION RESISTANCE: 100 MΩ
 9. DIELECTRIC STRENGTH: 1000VAC 1 MINUTE (INITIAL VALUE)
 10. CONTACT RESISTANCE: 100 MILLI-OHMS MAX.
 11. 2002/95/EC (ROHS) COMPLIANT
 12. ▲ DENOTES CRITICAL PARAMETER.

C	15610	CHANGE RATING ON SWITCH	12/15/05	PH
B	15595	CHANGES NOTED	12/7/05	PH
A	15410	RELEASED FOR PRODUCTION	10/20/05	PH
REV	PCR NO	DESCRIPTION	DATE	BY



TITLE MS0850503F040S1A

SCALE	DATE	DR	DWG	REV
2:1	10/20/2005	PH	Q970041	C

THE INFORMATION CONTAINED IN THIS DOCUMENT IS PROPRIETARY TO E-SWITCH AND IS NOT TO BE COPIED OR TRANSFERRED