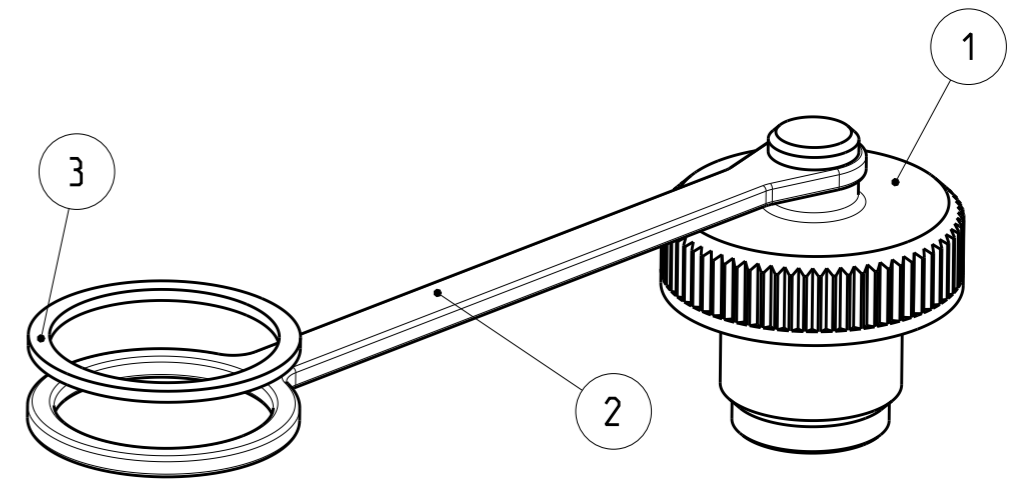
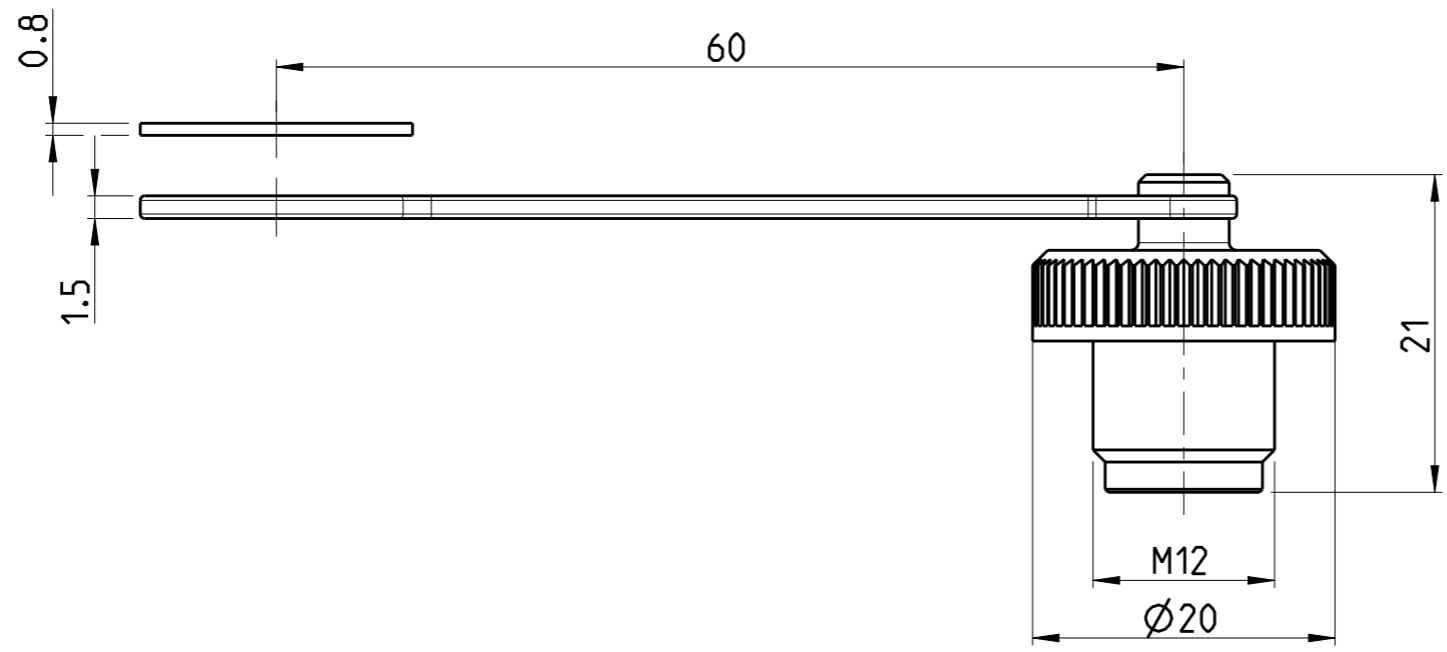


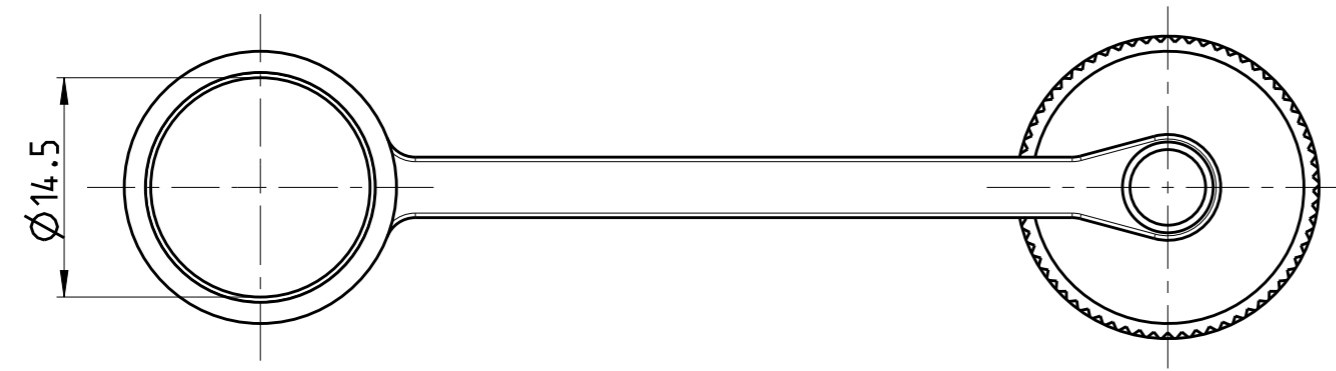
THIS DRAWING IS UNPUBLISHED. RELEASED FOR PUBLICATION 20
 © COPYRIGHT 20 BY - ALL RIGHTS RESERVED.

REVISIONS					
P	LTR	DESCRIPTION	DATE	DWN	APVD
	A	NEW RELEASE	19NOV2014	TJ	PS


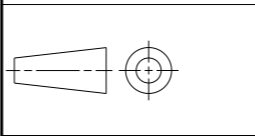


2823065-1 AS SHOWN

- NOTES:
 1. QUALIFIES PROTECTION: IP 67
 2. ALL DIMENSIONS FOR REFERENCE ONLY UNLESS OTHERWISE TOLERANCES SPECIFIED.



PA 66	WASHER	3
PUR	SLEEVE	2
PA 66	PROTECTIVE CAP	1
MATERIAL	DESCRIPTION	ITEM NO

THIS DRAWING IS A CONTROLLED DOCUMENT.		DWN CHIRASHREE 17OCT2014	 TE Connectivity	
DIMENSIONS: mm		CHK MOHAMMED THAJUDEEN 17OCT2014		
TOLERANCES UNLESS OTHERWISE SPECIFIED:		APVD PRASHANTH S 17OCT2014	NAME M12 PROTECTION CAP FOR FEMALE SOCKET, IP 67, FRONT FASTENED	
		PRODUCT SPEC -	SIZE A3	
MATERIAL NA		APPLICATION SPEC -	CAGE CODE -	DRAWING NO C-2823065
FINISH -		WEIGHT -	RESTRICTED TO -	
Customer Drawing			SCALE 2:1	SHEET 1 OF 1
			REV A	