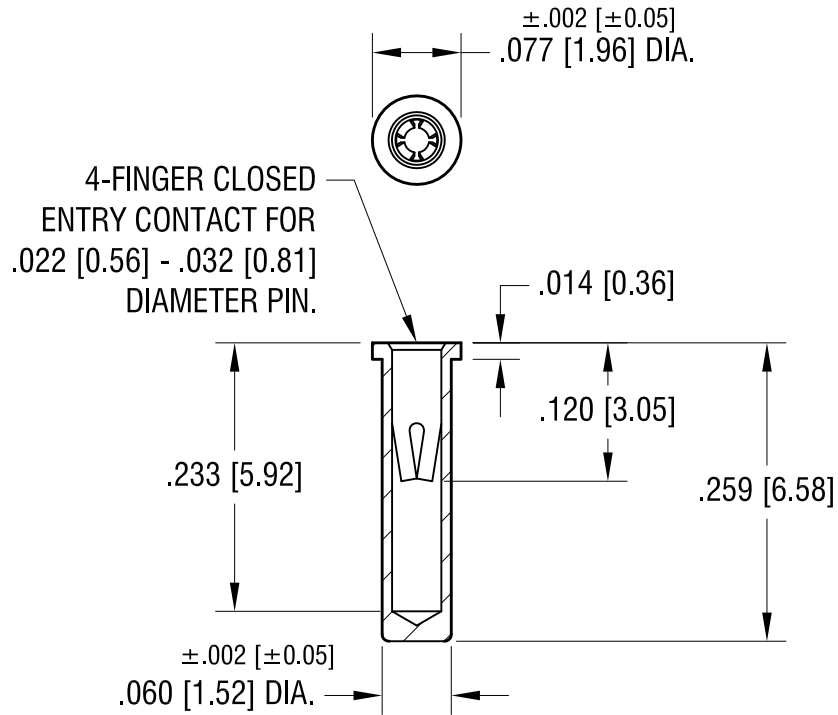


ACTUAL SIZE



NOTES:

1. SPRING CONTACT:
MAT'L - BERYLLIUM COPPER
FINISH - GOLD PLATE
BODY:
MAT'L - BRASS
FINISH - TIN/LEAD PLATE
2. MOUNTING HOLE DIA.: $.063$ [1.60]

KEYSTONE ELECTRONICS CORP.			
www.keyelco.com • ASTORIA, N.Y. 11105-2017 • Tel (718) 956-8900			
PART NAME			
MICRO JACK, SOLDER MOUNT			
MATERIAL			
AS NOTED			
FINISH		DRN BY	DATE
AS NOTED		BOONE	3.6.07
		APP'D	SCALE
		LN	6X
TOLERANCES	INCH [MM]	CODE	DWG NO.
DECIMAL	$\pm .005$ [± 0.13]	C	1695
ANGULAR	$\pm 1^\circ$		
UNLESS OTHERWISE SPECIFIED			

DATE	DESCRIPTION	REV.