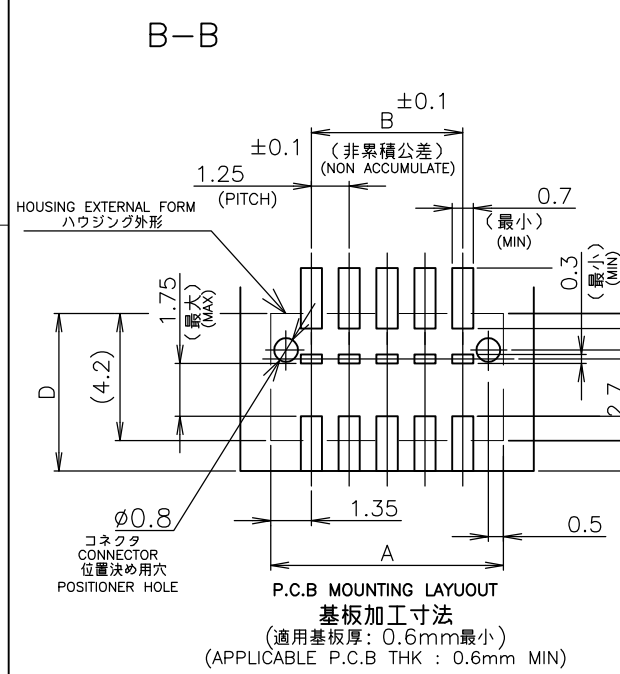
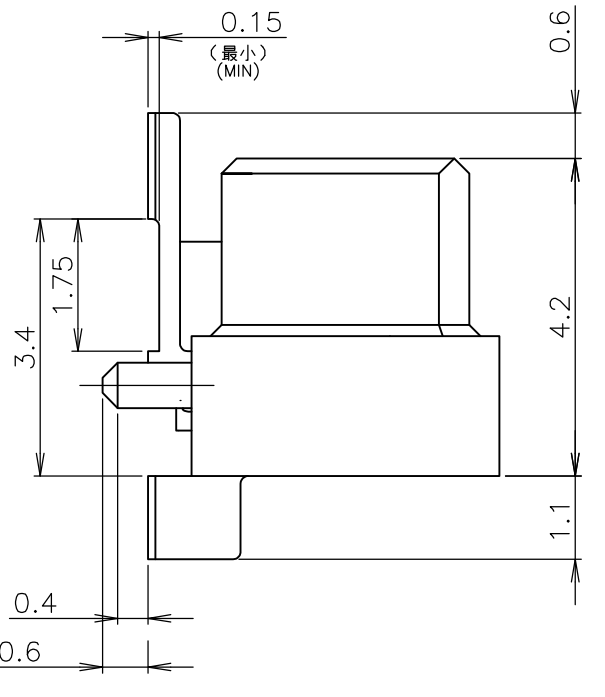
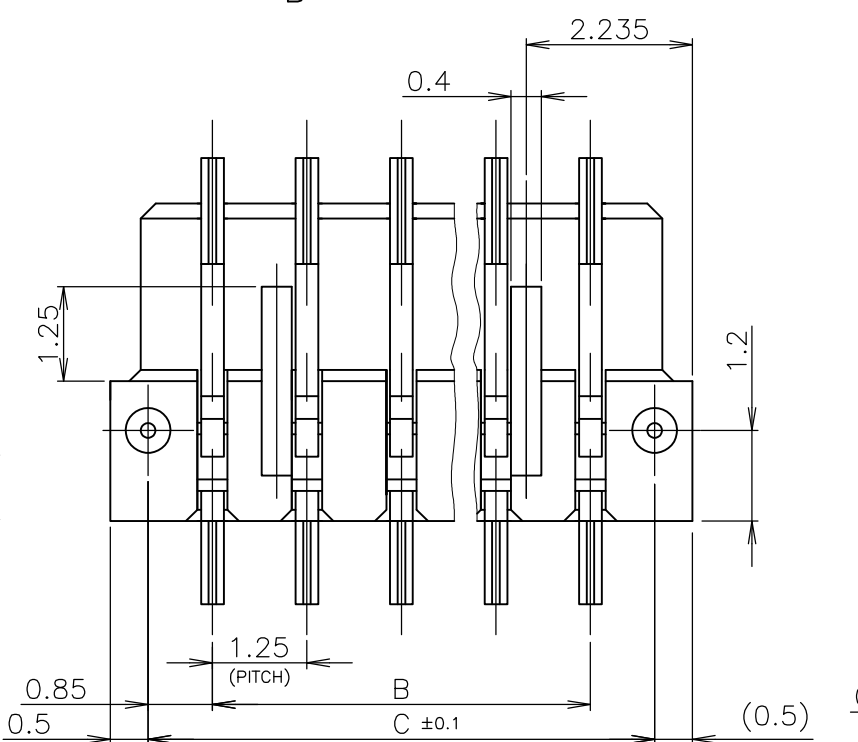
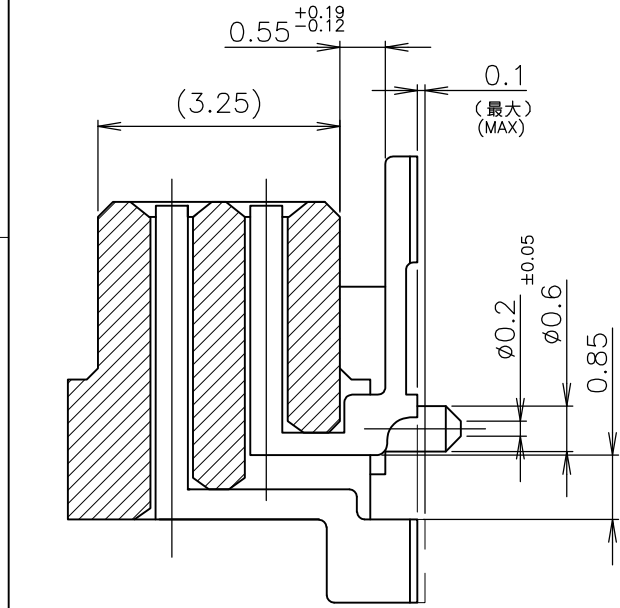
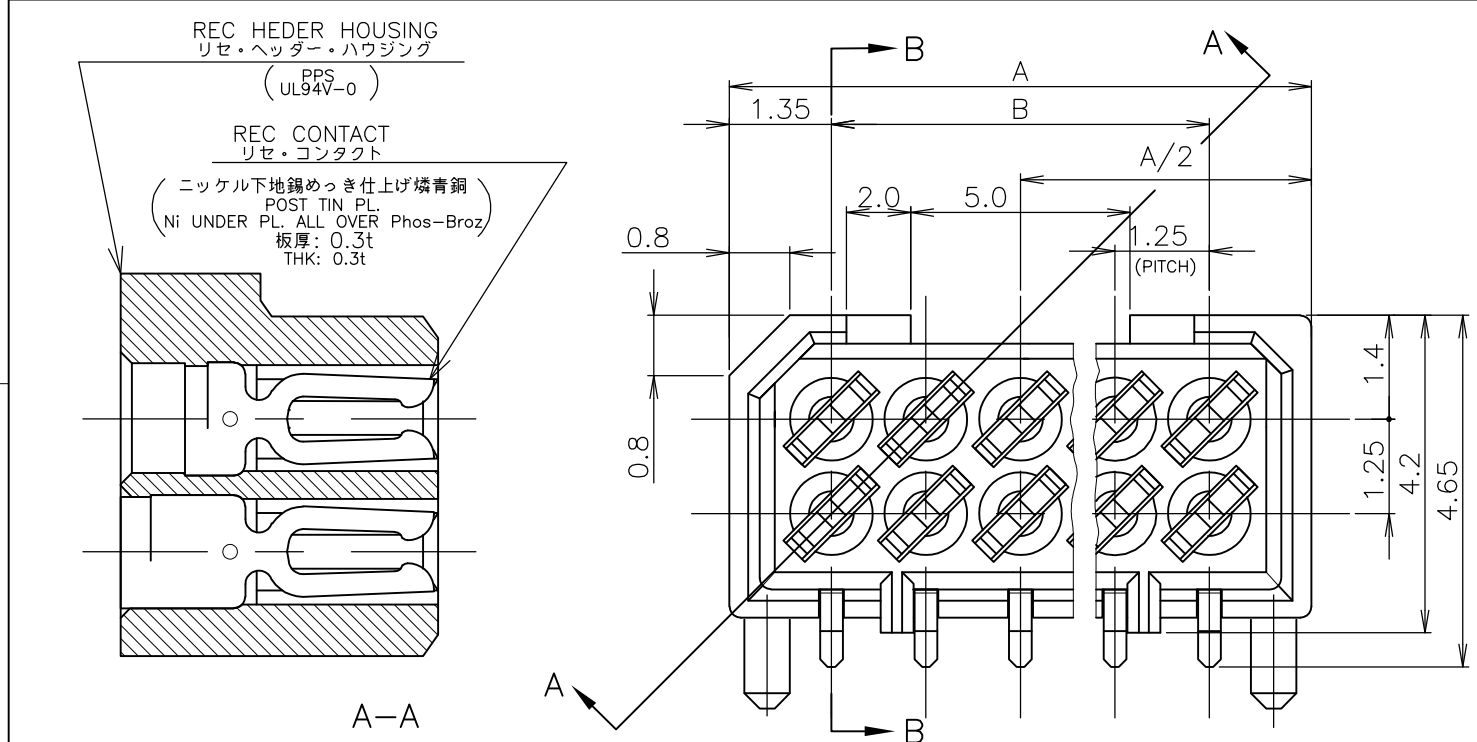


THIS DRAWING IS UNPUBLISHED. RELEASED FOR PUBLICATION
 © COPYRIGHT By - ALL RIGHTS RESERVED.

LOC	DIST	REVISIONS					
		P	LTR	DESCRIPTION	DATE	DWN	APVD
J		C1	REVISED	ECR-15-002174	13FEB2015	I.T	W.H

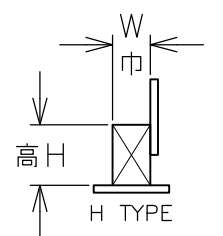


1 嵌合相手製品型番及び、嵌合時寸法は
 MATING COUNTER PART NUMBER AND DIMENSIONS
 表-1 参照のこと。
 AFTER MATING: SEE TABLE 1.

嵌合時寸法: 巾(mm)x高さ(mm)
 DIMENSIONS AFTER MATING: WIDE(mm) x HEIGHT(mm)

MATING COUNTER CONN 嵌合相手側コネクタ POST HDR ASSY			REC HDR ASSY SMT H TYPE -IMPROVED TYPE X-176490-X	
製品型番	P/N	高さ H		
DIP TYPE	X-176895-X	3.95	4.65 (巾W) x	6.9 (高さH)
	X-176320-X	8.85	4.65 (巾W) x	11.9 (高さH)
	X-176871-X	9.85	4.65 (巾W) x	12.9 (高さH)
SMT TYPE	ボス無 WITHOUT BOSS X-176140-X	3.95	5.6 (巾W) x	6.9 (高さH)
	ボス付 WITH BOSS X-176769-X	8.85	7.0 (巾W) x	11.9 (高さH)

TABLE 1 SMT TYPEは、巾及び高さ寸法に
 SMT TYPE INCLUDE DIMENSIONS
 半田付タイプ寸法を含みます。
 OF SOLDER DIP TYPE.



鉛フリー
 LEAD FREE

© OBSOLETE

	19-20	17-50	20-20	30	6	0
黒色 BLACK 色別 COLOR	16.70	15.00	17.70	26	5-176490-6	
	C	B	A	極数 Pos.	型番 P/N	

THIS DRAWING IS A CONTROLLED DOCUMENT.

DWN	F.SAKURAI	10FEB89
CHK	J.TANIGAWA	10FEB98
APVD	S.KUBOUCHI	10FEB98
PRODUCT SPEC	108-5246	
APPLICATION SPEC	CUSTOMER DRAWING	
WEIGHT		
MATERIAL	AS SHOWN	図中参照
FINISH	AS SHOWN	図中参照

NAME		1.25 F-P CONNECTOR (B-TO-B) DOUBLE ROW REC HDR ASSY (H) SMT TYPE WITH BOSS - IMPROVED TYPE			
SIZE	CAGE CODE	DRAWING NO	RESTRICTED TO		
A3	00779	C-176490	-		
SCALE		SHEET	REV		
10:1		1 OF 1	C1		