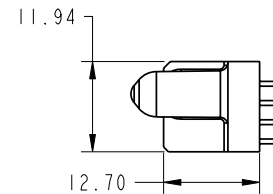
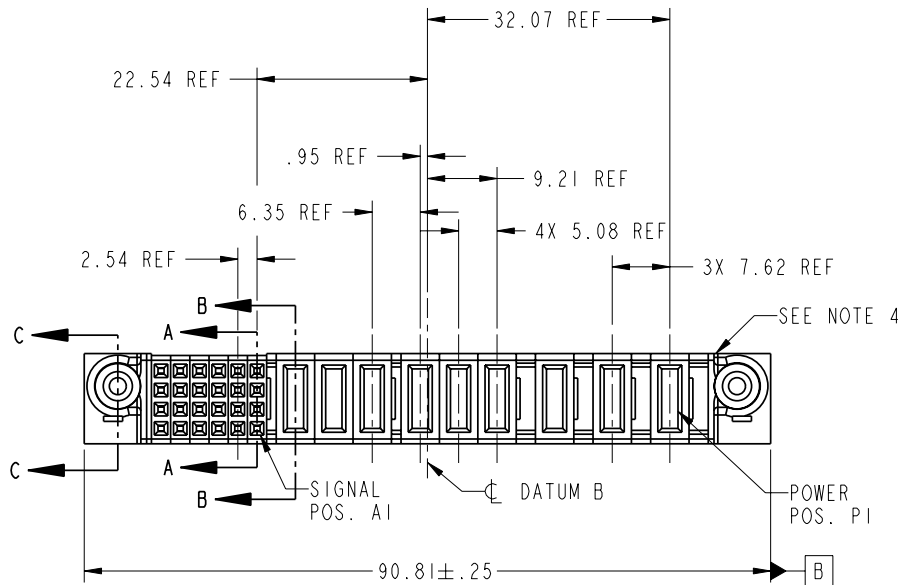


Tous droits strictement réservés. Reproduction ou communication o des liers interdite sous quelque forme que ce soit sans autorisation écrite du propriétaire. Propriété de c FCI. Droits de reproduction FCI.



All rights strictly reserved. Reproduction or issue to third parties in any form whatever is not permitted without written authority from the proprietor. Property of FCI. Copyright FCI.

PRODUCT NO.	ROWS	SIGNAL					POWER							E1			
		E2	6	5	4	3	2	1	P9	P8	P7	P6	P5		P4	P3	P2
51940-189-- NOTE ③	D C B A																



CODE	DIM "M" MATING LENGTH	CONTACT TYPE
E	[N/A]	SIGNAL
PD	[2.34]	POWER
PA	[1.07]	POWER

mat'l code				SEE NOTE 2	tolerances unless otherwise specified		CUSTOMER			www.fciconnect.com
lfr	ecn no.	dr	date	linear	0.X ± 0.3	COPY		projection		
A	DG06-0182	Julia	05/11/06	angles	0.XX ± 0.10	MM			product family	code
				dr	0.XXX ± 0.050	scale		size		
				enr	0° ± 2°	1:1			A	1 of 4
				chr	Julia Wang 05/11/06			51940-189		
				appd	Sally Luo 05/11/06					
					Beer Fu 05/11/06					
					Joseph Hsia 05/11/06					
sheet index	revision sheet	A	A	A	A					
		1	2	3	4					

B

B

1 | 2

Pro/E

PDM: Rev: A

STAT: Released

Printed: Dec 20, 2010

3 |

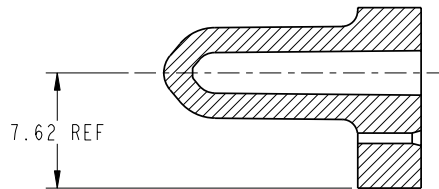
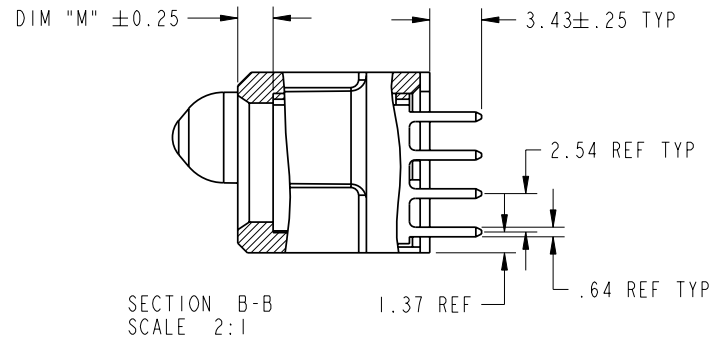
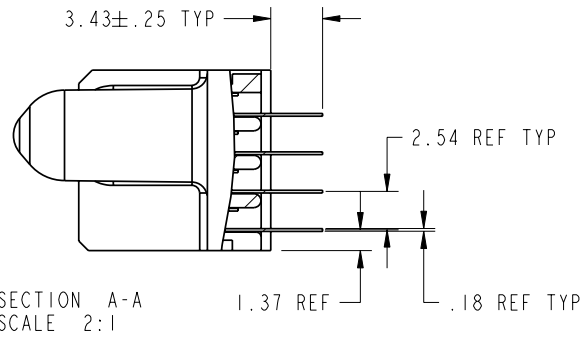
4

Tous droits strictement réservés. Reproduction ou communication a des tiers interdite sous quelque forme que ce soit sans autorisation écrite du propriétaire. Propriété de c FCI. Droits de reproduction FCI.

All rights strictly reserved. Reproduction or issue to third parties in any form whatever is not permitted without written authority from the proprietor. Property of FCI. Copyright FCI.



PRODUCT NUMBER
51940-189--
NOTE ③



mat'l code		SEE NOTE 2		tolerances unless otherwise specified		CUSTOMER		FCI		www.fciconnect.com	
lfr	ecn no.	dr	date	linear	0.X ± 0.3	COPY		title		9P + 24S	
A				linear	0.XX ± 0.10	projection		VERTICAL STB RECEPT		code	
				angles	0.XXX ± 0.050	⊕ ↗		product family		PwrBlade	
				dr	0° ± 2°	MM		size		213	
				enr		scale		dwg no		sheet	
				chr	Julia Wang 05/11/06	1:1		A 51940-189		2 of 4	
				appd	Sally Luo 05/11/06						
					Beer Fu 05/11/06						
					Joseph Hsia 05/11/06						
sheet index	revision sheet										

Pro/E

PDM: Rev: A

STAT: Released

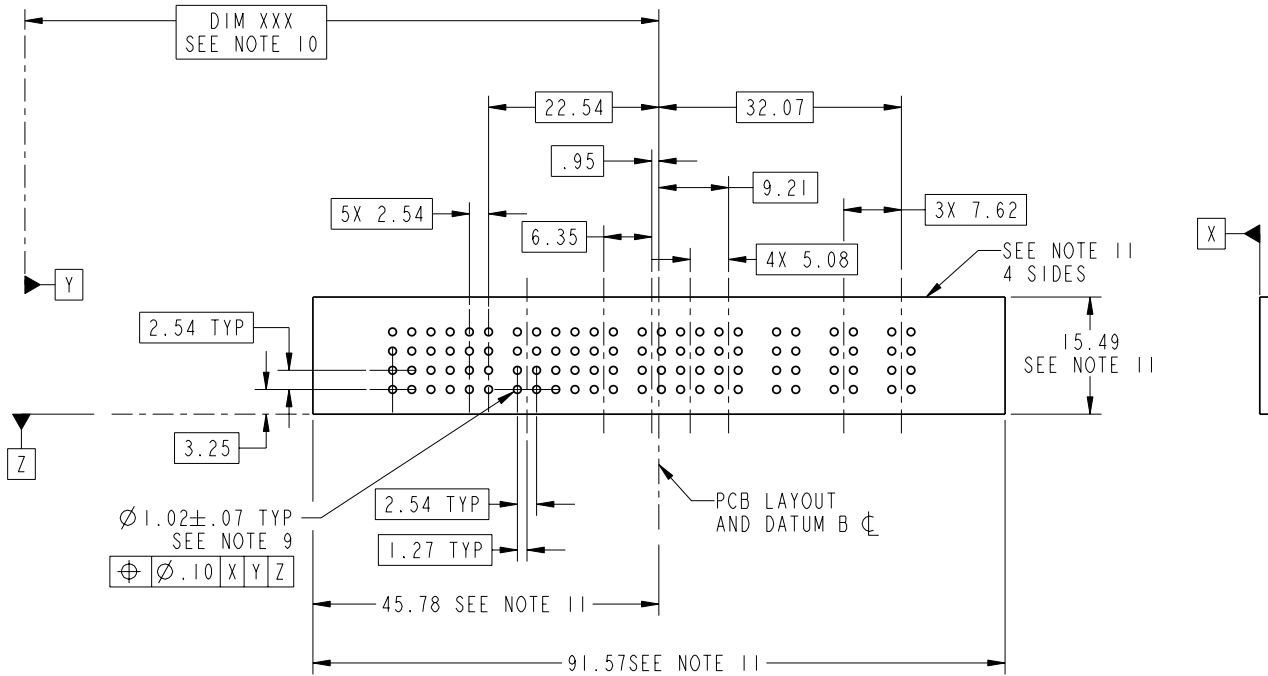
Printed: Dec 20, 2010

Tous droits strictement réservés. Reproduction ou communication a des tiers interdite sous quelque forme que ce soit sans autorisation écrite du propriétaire. Propriété de c FCI. Droits de reproduction FCI.



All rights strictly reserved. Reproduction or issue to third parties in any form whatever is not permitted without written authority from the proprietor. Property of FCI. Copyright FCI.

PRODUCT NUMBER
51940-189--
NOTE ③



mat'l code		SEE NOTE 2		tolerances unless otherwise specified		CUSTOMER		FCI		www.fciconnect.com	
lfr	ecn no.	dr	date	linear	0.X ±0.3	COPY		title		9P + 24S	
A				linear	0.XX ±0.10	projection		VERTICAL STB RECEPT		product family	
				angles	0.XXX ±0.050	MM		size		PwrBlade	
				dr	0° ±2°	scale		A		code	
				enr	0° ±2°	1:1		51940-189		213	
				chr	0° ±2°					sheet	
				appd	0° ±2°					3 of 4	
sheet index	revision sheet										

Pro/E

PDM: Rev: A

STAT: Released

Printed: Dec 20, 2010

Tous droits strictement réservés. Reproduction ou communication a des tiers interdite sous quelque forme que ce soit sans autorisation écrite du propriétaire. Propriété de c FCI. Droits de reproduction FCI.

All rights strictly reserved. Reproduction or issue to third parties in any form whatever is not permitted without written authority from the proprietor. Property of FCI. Copyright FCI.



1 | 2

3 |

4

PRODUCT NUMBER
51940-189__
NOTE ③

NOTES:

1. DIMENSIONS AND TOLERANCES ARE IN ACCORDANCE WITH ASME Y14.5M, 1994 UNLESS OTHERWISE SPECIFIED.

CONNECTOR NOTES:

- ② HOUSING MATERIAL: UL 94 V-0 GLASS FILLED HIGH-TEMP THERMOPLASTIC
POWER CONTACT MATERIAL: COPPER ALLOY
SIGNAL PIN MATERIAL: COPPER ALLOY
- 3. PLATING SPEC.
51940-189,51940-189LF PLATING SPEC. WAS SHOWN IN THE PRINT OF 10064183.
- ④ MANUFACTURER'S NAME, P/N, AND DATE CODE TO APPEAR ON THIS SURFACE.
- 5. PRODUCT SPECIFICATION GS-12-149.
APPLICATION SPECIFICATION BUS-20-067.
- 6. PACKAGED IN TRAYS.

PCB NOTES:

- 7. ALL HOLE DIAMETERS ARE FINISHED HOLE SIZE.
- ⑧ MOUNTING HOLES, WHERE APPLICABLE, ARE UNPLATED.
- ⑨ $\varnothing 1.151 \pm 0.025$ DRILLED HOLES PLATED WITH
0.008 MIN SnPb OVER 0.03
TO 0.08 Cu PLATING TO ACHIEVE
 $\varnothing 1.02 \pm .07$ HOLE.
- ⑩ "DIM XXX" TO BE DETERMINED BY THE CUSTOMER.
- ⑪ CONNECTOR KEEP-OUT ZONE.

mat'l code		SEE NOTE 2		tolerances unless otherwise specified		CUSTOMER		www.fciconnect.com	
lfr	ecn no.	dr	date	linear	0.X ±0.3		projection	COPY	
A					0.XX ±0.10				title
				angles	0.XXX ±0.050		9P + 24S		
					0° ±2°		VERTICAL STB RECEPT		
				dr	Julia Wang	05/11/06		product family	
				enrg	Sally Luo	05/11/06		PwrBlade	
				chr	Beer Fu	05/11/06		size	dwg no
				appd	Joseph Hsia	05/11/06		A	51940-189
sheet index		revision sheet		scale		1:1		code	
								213	
								sheet	
								4 of 4	

1 | 2

Pro/E

PDM: Rev: A

STAT: Released

Printed: Dec 20, 2010

A

A

B

B