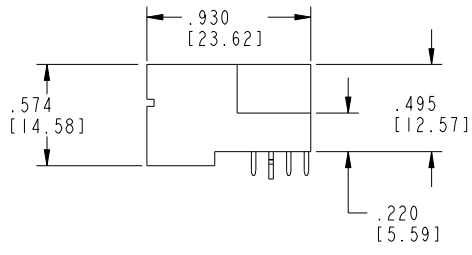
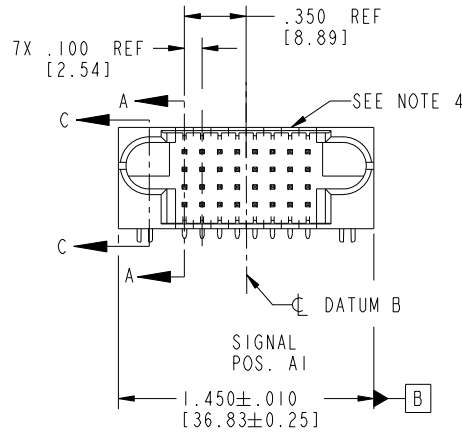
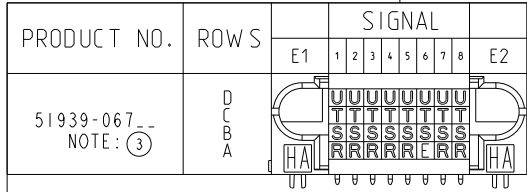




All rights strictly reserved. Reproduction or issue to third parties in any form whatever is not permitted without written authority from the proprietor. Property of FCI. Copyright FCI.

Tous droits strictement reserves. Reproduction ou communication a des tiers interdicte sous quelque forme que ce soit sans autorisation ecrite du propriétaire. Propriete de c FCI. Droits de reproduction FCI.

CODE	DIM "M" MATING LENGTH	CONTACT TYPE
E	.220 [5.59]	SIGNAL
R	.270 [6.86]	SIGNAL
S	.270 [6.86]	SIGNAL
T	.270 [6.86]	SIGNAL
U	.270 [6.86]	SIGNAL
HA	N/A [N/A]	HOLD-DOWN



mat'l code				SEE NOTE 2		tolerances unless otherwise specified	
ltr	ecn no.	dr	date	linear	.XX±.01/0.X±0.3	angles	0°±2°
A	V03-0606	DAI	05/28/03		.XXX±.005/0.XX±0.13		
B	DG05-0164	SJ	06/27/05		.XXX±.0020/0.XXX±0.051		
C	DG06-0014	JMG	01/12/06				
D	DG08-0273	WD	12/31/08	dr	D. INGRAM 05/28/03	enrg	M. MOSTOLLER 05/28/03
				chr	M. MOSTOLLER 05/28/03	appd	M. MOSTOLLER 05/28/03
sheet index	revision sheet	D	D	D	D		
		1	2	3	4		

CUSTOMER		FCI	
COPY		www.fciconnect.com	
projection	title	32S	
	RIGHT ANGLE SOLDER HEADER		
product family	PwrBlade	code	213
size	dwg no	sheet	1 of 4
scale	1:1	51939-067	

sheet index	revision sheet	D	D	D	D
		1	2	3	4

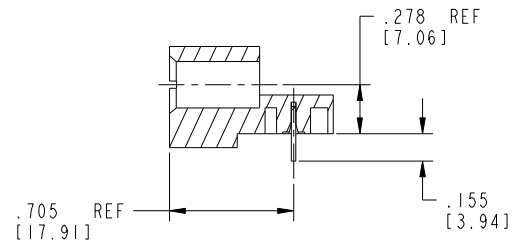
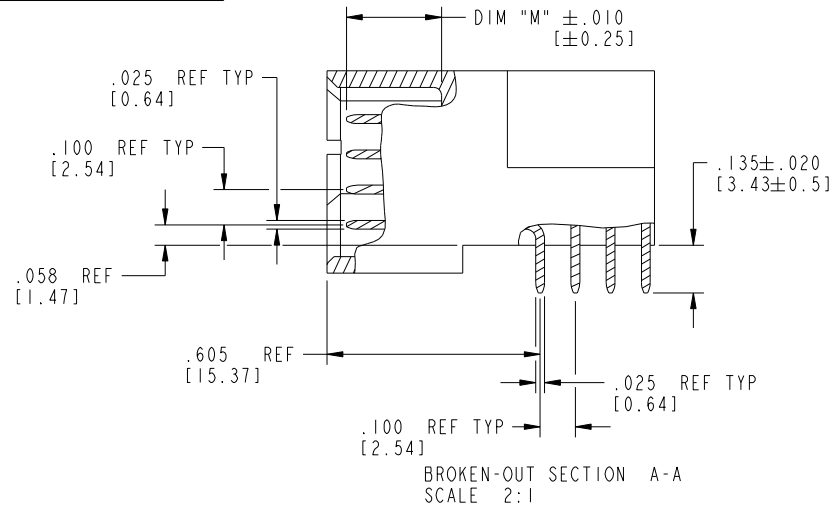
Pro/E

cage code 22526

Tous droits strictement reserves. Reproduction ou communication a des tiers interdite sous quelque forme que ce soit sans autorisation écrite du propriétaire. Propriete de c FCI. Droits de reproduction FCI.

All rights strictly reserved. Reproduction or issue to third parties in any form whatsoever is not permitted without written authority from the proprietor. Property of FCI. Copyright FCI.

PRODUCT NUMBER
51939-067--
NOTE: ③



mat'l code		SEE NOTE 2		tolerances unless otherwise specified		CUSTOMER		FCI	
lfr	ecn no.	dr	date	linear	.XX±.01/0.X±0.3	COPY		www.fciconnect.com	
D				linear	.XXX±.005/0.XX±0.13	projection		title 32S	
				angles	.XXX±.0020/0.XXX±0.051			RIGHT ANGLE SOLDER HEADER	
				dr	D. INGRAM 05/28/03	INCH/MM		product family PwrBlade code 213	
				enrg	M. MOSTOLLER mm/dd/yy	scale 1:1		size dwg no 213	
				chr	M. MOSTOLLER 05/28/03	A		sheet 2 of 4	
				appd	M. MOSTOLLER 05/28/03			51939-067	
sheet index	revision sheet								

Pro/E

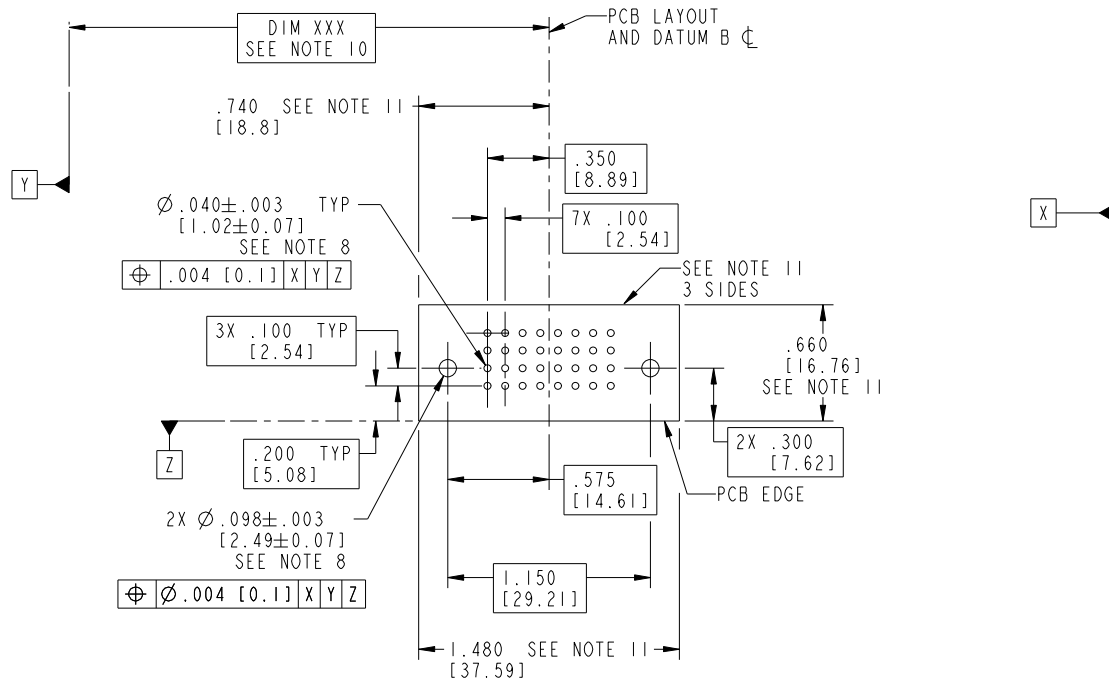
cage code 22526

Tous droits strictement reserves. Reproduction ou communication a des tiers interdite sous quelque forme que ce soit sans autorisation ecrite du proprietaire. Propriete de c FCI. Droits de reproduction FCI.



All rights strictly reserved. Reproduction or issue to third parties in any form whatsoever is not permitted without written authority from the proprietor. Property of FCI. Copyright FCI.

PRODUCT NUMBER
51939-067--
NOTE: ③



RECOMMENDED PCB LAYOUT

mat'l code		SEE NOTE 2		tolerances unless otherwise specified		CUSTOMER				www.fciconnect.com	
ltr	ecn no.	dr	date	linear	.XX±.01/0.X±0.3	COPY		projection		title	
D					.XXX±.005/0.XX±0.13	A		FIRST ANGLE		32S	
				angles	.XXX±.0020/0.XXX±0.051	INCH/MM		product family		code	
				dr	0°±2°	1:1		PwrBlade		213	
				engr	D. INGRAM 05/28/03	A		size		sheet	
				chr	M. MOSTOLLER mm/dd/yy	A		dwg no		3 of 4	
				appd	M. MOSTOLLER 05/28/03	A		51939-067			
sheet index	revision sheet										

cage code 22526

Pro/E

Tous droits strictement reserves. Reproduction ou communication a des tiers interdite sous quelque forme que ce soit sans autorisation écrite du propriétaire. Propriete de c FCI. Droits de reproduction FCI.



All rights strictly reserved. Reproduction or issue to third parties in any form whatever is not permitted without written authority from the proprietor. Property of FCI. Copyright FCI.

PRODUCT NUMBER
51939-067--
NOTE: ③

NOTES:

1. DIMENSIONS AND TOLERANCES ARE IN ACCORDANCE WITH ASME Y14.5M, 1994 UNLESS OTHERWISE SPECIFIED.

CONNECTOR NOTES:

2. HOUSING MATERIAL: UL 94 V-0 GLASS FILLED HIGH-TEMP THERMOPLASTIC
POWER CONTACT MATERIAL: COPPER ALLOY
SIGNAL PIN MATERIAL: COPPER ALLOY

⚠③ SEE ITEM 1 & 2 IN PRINT 10064183 FOR PLATING SPEC OF 51939-067 AND 51939-067LF RESPECTIVELY.

4. MANUFACTURER'S NAME, P/N, AND DATE CODE TO APPEAR ON THIS SURFACE.

5. PRODUCT SPECIFICATION GS-12-149.
APPLICATION SPECIFICATION BUS-20-067.

6. PACKAGED IN TRAYS.

PCB NOTES:

7. ALL HOLE DIAMETERS ARE FINISHED HOLE SIZE.

8. MOUNTING HOLES, WHERE APPLICABLE, ARE UNPLATED.

9. $\varnothing .0453 \pm .0010$ [1.151 ± 0.025] DRILLED HOLES PLATED WITH
.0003 [0.008] MIN SnPb OVER .001 [0.03]
TO .003 [0.08] Cu PLATING TO ACHIEVE
 $\varnothing .040 \pm .003$ [1.02 ± .07] HOLE.

10. "DIM XXX" TO BE DETERMINED BY THE CUSTOMER.

11. CONNECTOR KEEP-OUT ZONE.

12. A ⚠ SYMBOL WILL BE NEXT TO ANY DIMENSION, VIEW, OR NOTE WHICH HAS BEEN MODIFIED WITH THE CURRENT DRAWING REVISION.

mat'l code				SEE NOTE 2		tolerances unless otherwise specified		CUSTOMER		FCI		www.fciconnect.com	
ltr	ecr no.	dr	date	linear	.XX±.01/0.X±0.3		COPY		projection	title			32S
D					.XXX±.005/0.XX±0.13		INCH/MM			RIGHT ANGLE SOLDER HEADER			
				angles	.XXX±.0020/0.XXX±0.051		1:1		product family		PwrBlade	code	213
					0°+2°		scale		size		dwg no	sheet	4 of 4
				dr	D. INGRAM	05/28/03			A		51939-067		
				enrg	M. MOSTOLLER	mm/dd/yy							
				chr	M. MOSTOLLER	05/28/03							
				appd	M. MOSTOLLER	05/28/03							
sheet index	revision sheet												

cage code 22526

Pro/E