

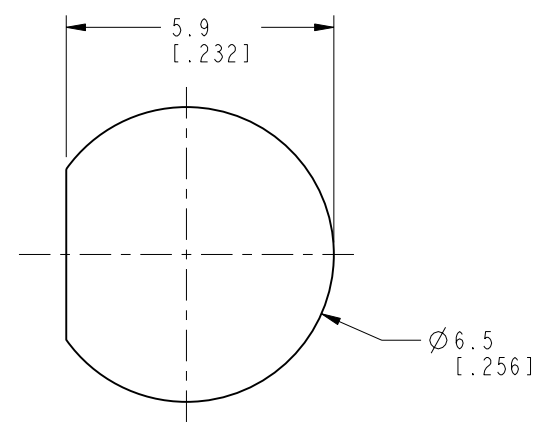
NOTES:

1. MATERIALS AND FINISHES:
 BODY - BRASS, GOLD PLATING.
 CONTACT - BeCu, GOLD PLATING.
 INSULATOR - PTFE, NATURAL
 O-RINGS - SILICONE RUBBER, RED
 HEX NUT - STAINLESS STEEL, PASSIVATED
 LOCK WASHER - STAINLESS STEEL, PASSIVATED
2. ELECTRICAL:
 A. IMPEDANCE: 75 OHM
 B. FREQUENCY RANGE: DC - 4 GHz
 C. RETURN LOSS: -30 dB MIN AT 3 GHz
 D. DIELECTRIC WITHSTANDING VOLTAGE: 1000 VRMS, MIN.
3. MECHANICAL:
 A. DURABILITY: 500 CYCLES MIN.
 B. TEMPERATURE RANGE: -65° C TO +165° C
4. SEALED TO IP-67 STANDARD WHEN IN MATED CONDITION
5. PACKAGING:
 A. QUANTITY: SINGLE PACK
 B. MARKING: BAG TO BE MARKED:
 "AMPHENOL RF, 34-1099 & DATE CODE"

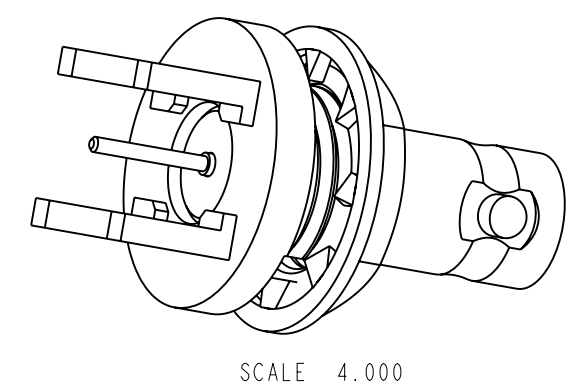
THIRD ANGLE PROJ.

REVISIONS

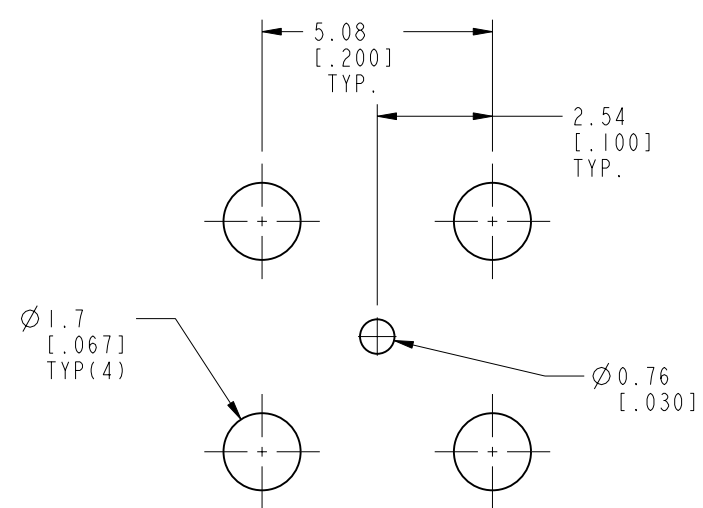
REV	DESCRIPTION	DATE	ECO	APPR
A	RELEASE TO MFG.	14-Jun-16	01041	MM



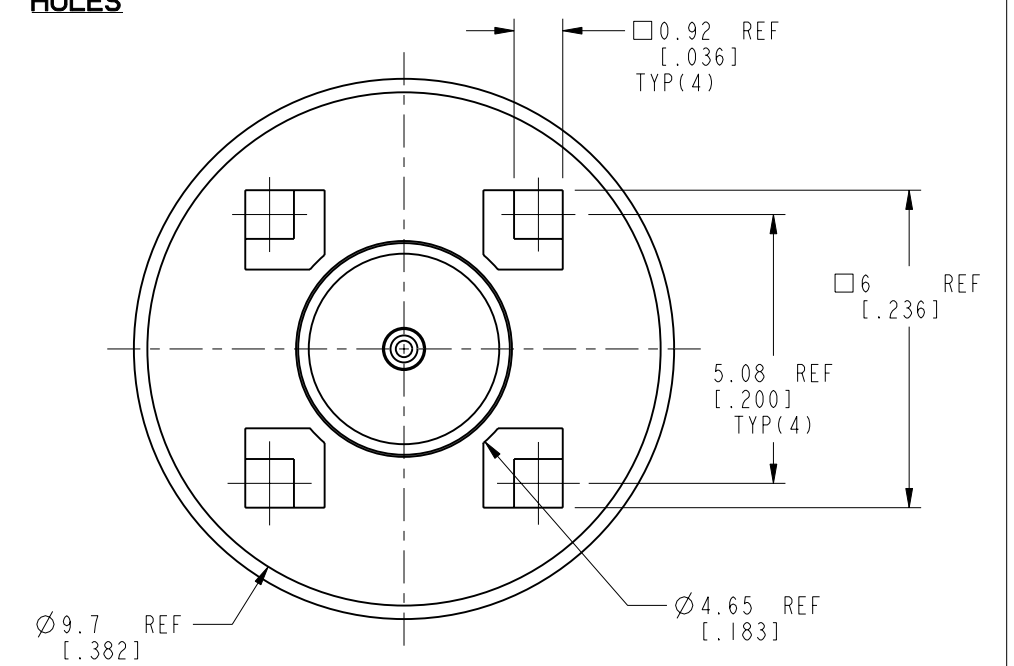
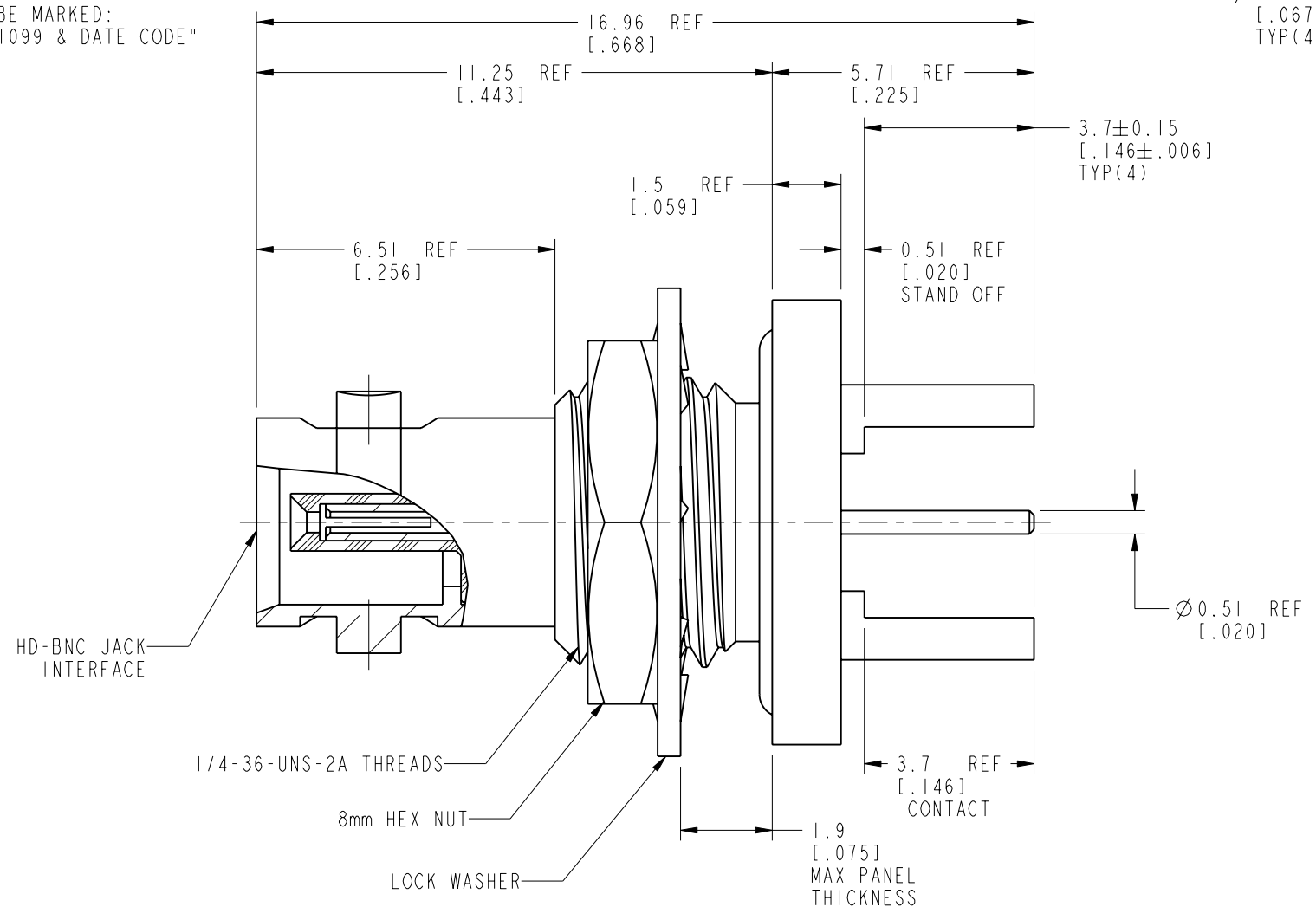
RECOMMENDED PANEL CUTOUT DIMENSIONS



SCALE 4.000



RECOMMENDED PCB MOUNTING HOLES



CUSTOMER OUTLINE DRAWING
 ALL OTHER SHEETS ARE FOR INTERNAL USE ONLY

UNLESS OTHERWISE SPECIFIED, DIMENSIONS ARE IN METRIC AND TOLERANCES ARE: <0.5mm ±0.05mm 0.5 - 6mm ±0.1mm 6 - 30mm ±0.2mm 30 - 120mm ±0.3mm ANGLES ±1° NOTICE - These drawings, specifications, or other data (1) are, and remain the property of Amphenol corp. (2) must be returned upon request; and (3) are confidential and not to be disclosed to any person other than those to whom they are given by Amphenol Corp. the furnishing of these drawings, specifications, or other data by Amphenol Corp., or to any other person for any purpose is not to be regarded by implication or otherwise in any manner licensing, granting rights to permitting such holder or any other person to manufacture, use or sell any product, process or design, patented or otherwise, that may in any way be related to or disclosed by said drawings, specifications, or other data.	MATERIAL SEE NOTES	DRAWN STAR	DATE 14-Jun-16	TITLE HD BNC STR JACK BHD PCB THRU HOLE RECEPTACLE, IP-67	Amphenol RF www.amphenolrf.com
	REFERENCE 7207 AND	ENGINEER SUNDE	DATE 14-Jun-16		
	CONFIGURATION LEVEL:	APPROVED S. HSIEH	DATE 14-Jun-16	SHEET 2 OF 2	ITEM NO. 34-1099
	FINISH	CAD FILE	DWG SIZE B	REV A	PART NO. 34-1099