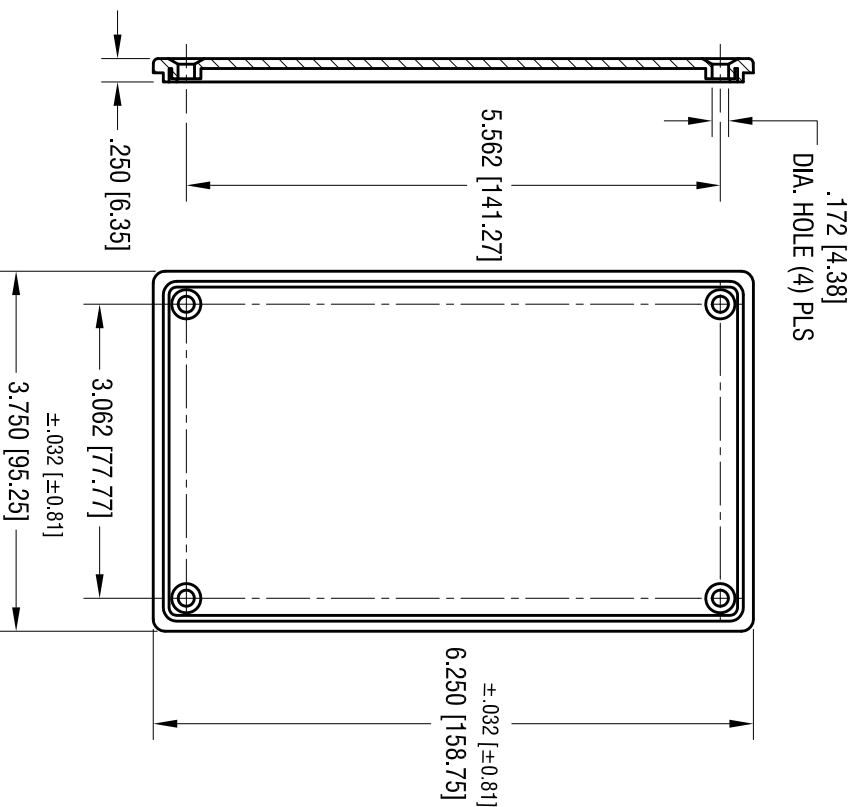
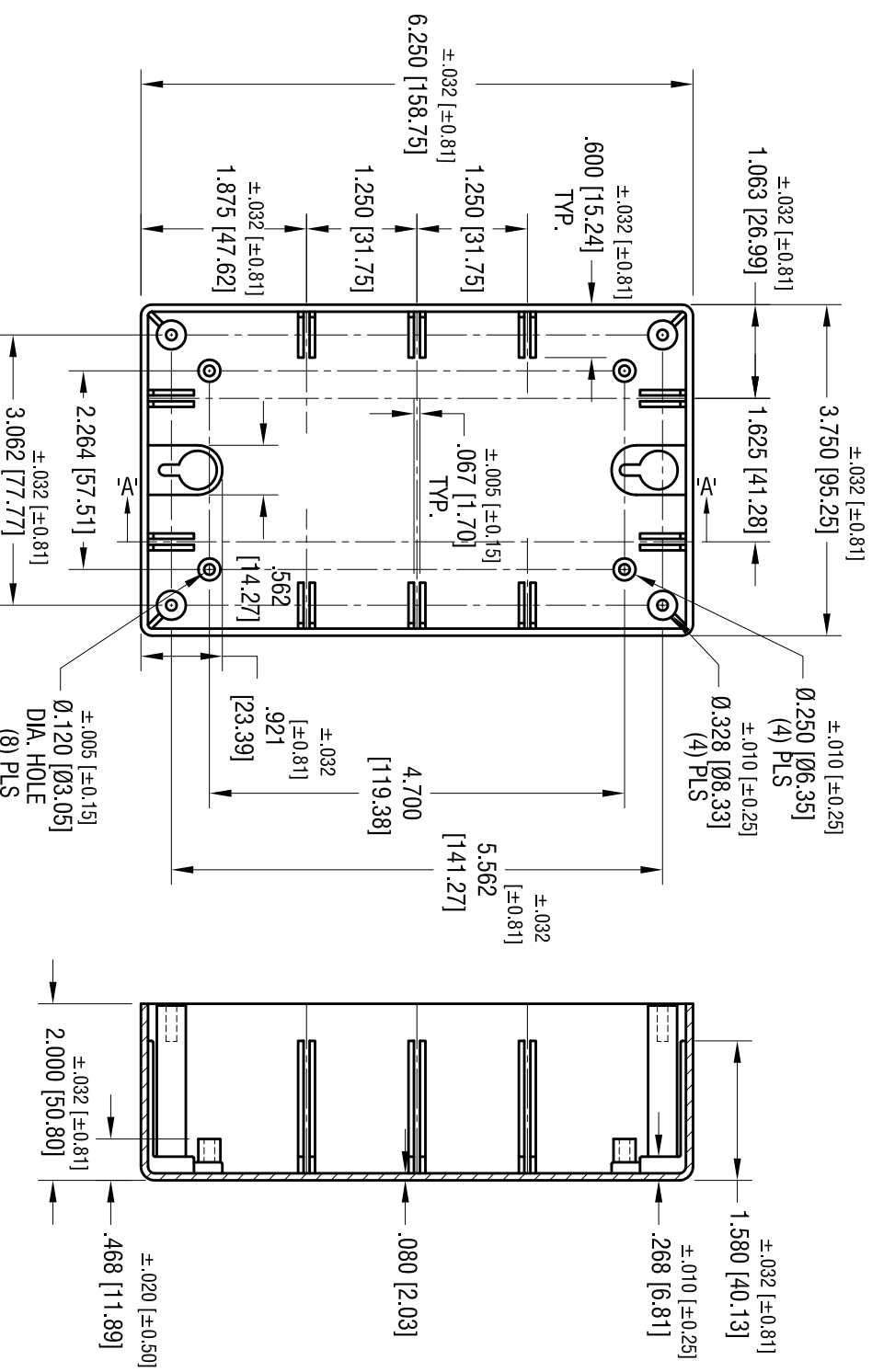


**COVER**



**BOX**



DATE	DESCRIPTION	REV.
3.29.10	CHANGE AS PER ECN 10-28 ADD COVER DETAILS	A

**KEYSTONE ELECTRONICS CORP.**

www.keystec.com • ASTORIA, N.Y. 11105-2017 • Tel (718) 956-8900

PART NAME

PLASTIC INSTRUMENT CASE

MATERIAL

ABS, BLACK

FINISH

-

DRN BY BOONE DATE 2.13.96

TOLERANCES INCH [MM]

CODE

DWG NO.

SCALE .5X

DECIMAL ± .015 [± 0.38]

C/M

LN

707

THIS DOCUMENT IS THE PROPERTY OF KEYSTONE ELECTRONICS CORP. AND SHALL NOT BE REPRODUCED, DISTRIBUTED OR USED AS A BASIS FOR MANUFACTURE WITHOUT PRIOR WRITTEN PERMISSION FROM KEYSTONE ELECTRONICS CORP.

NOTE:  
1. CASE SUPPLIED WITH COVER AND MOUNTING SCREWS.