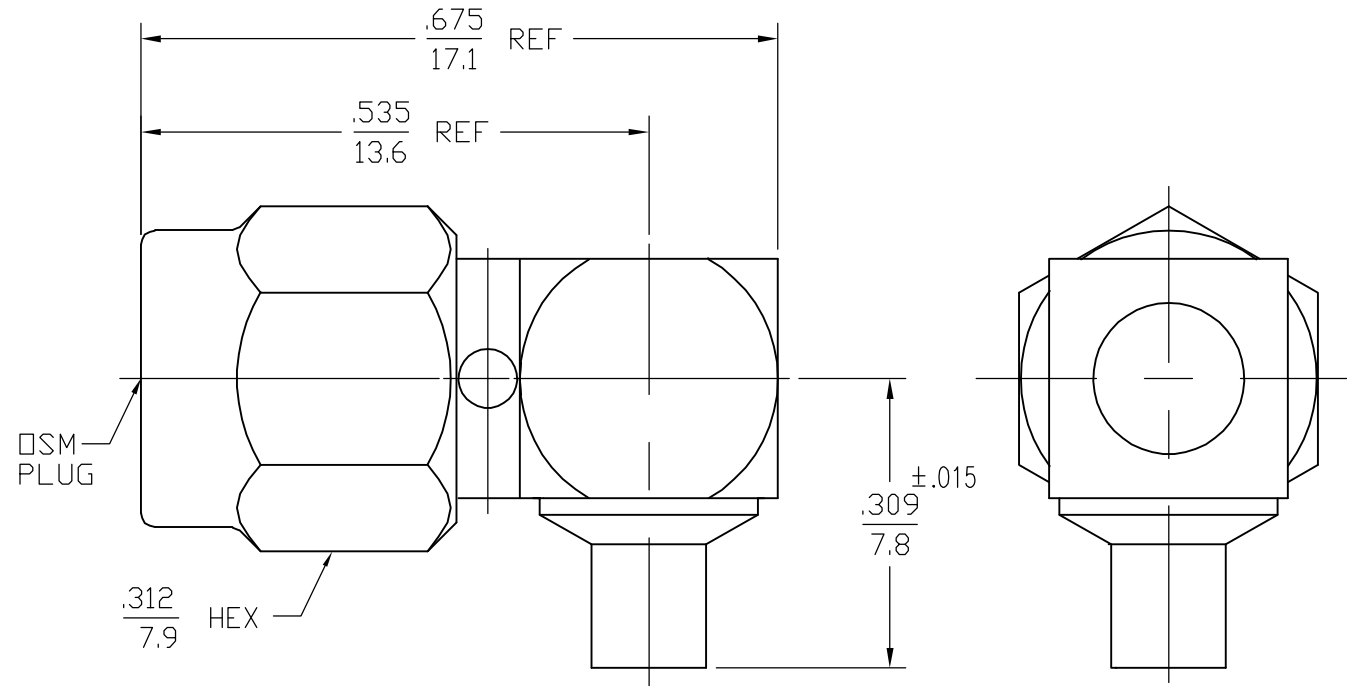


THIS DRAWING IS UNPUBLISHED. RELEASED FOR PUBLICATION  
 © COPYRIGHT - BY TYCO ELECTRONICS CORPORATION. ALL RIGHTS RESERVED.

| LOC | DIST | REVISIONS |     |                           |         |     |      |
|-----|------|-----------|-----|---------------------------|---------|-----|------|
| AJ  | 16   | P         | LTR | DESCRIPTION               | DATE    | DWN | APVD |
|     |      | B         |     | REVISED PER ECO-05-007687 | 02SEP05 | BM  | KW   |

- DESIGNED FOR USE WITH .085 SEMI-RIGID CABLE.  
 CABLE ENTRY DIAMETER: HOUSING: .088 MIN  
 CONTACT: .037 MIN
- USE INSTRUCTION SHEET 408-4944.



| ELECTRICAL  | MECHANICAL  | ENVIRONMENTAL   |
|---|---|---|
| Nominal Impedance (Ohms) <u>50</u>                                  | Interface Dimensions MIL-STD-348A, Fig. 310.1         | TEMPERATURE RATING <u>-65°C TO +165°C</u>                                   |
| Frequency Range (GHz) DC to <u>18</u>                               | Recommended Mating Torque <u>7-10 in-lbs</u>          | Vibration MIL-STD-202, Method 204, Condition D.                             |
| Volt Rating (VRMS MAX) @ Sea Level <u>335</u>                       | Mating Characteristics: Insertion (MAX Lbs) N/A       | Shock MIL-STD-202, Method 213, Condition I.                                 |
| VSWR <u>1.18 ±.015F (GHz)</u>                                       | Withdrawal (MIN Oz) N/A                               | Thermal Shock MIL-STD-202, Method 107, Condition B, EXCEPT HIGH TEMP +115°C |
| Insertion Loss (dB MAX) <u>.05 √F(GHz)</u>                          | Force to Engage and Disengage (In-Lbs MAX) <u>2.0</u> | Moisture Resistance MIL-STD-202, Method 106                                 |
| RF Leakage (dB MIN) <u>-90 @ 2-3 GHz</u>                            | Center Contact Captivation Axial (Lbs) <u>6.0</u>     | Corrosion - MIL-STD-202, Method 101, Condition B, 5% salt spray             |
| Corona, 70,000 Ft (VRMS MIN) <u>250</u>                             | Radial (In-Oz) N/A                                    |   |
| Dielectric Withstanding Voltage (VRMS MIN) @ Sea Level <u>1,000</u> | Cable Retention Axial Force (Lbs MIN) <u>30</u>       |   |
| Contact Resistance (Milliohms MAX) Center Contact <u>4.0</u>        | Torque (In-Oz) <u>16</u>                              |   |
| Outer Contact <u>2.0</u>  | Weight (Grams) <u>TBD</u>                             |   |
| Cable to Housing <u>0.5</u>   |   |   |
| RF High Potential @ Sea Level (VRMS MIN @ 5 MHz) <u>670</u>         |   |   |
| I.R.(Megohms MIN) <u>5,000</u>                                      |   |   |

| HOUSING COUPLING NUT CAP | STAINLESS STEEL PER ASTM-A484 AND ASTM-A582, TYPE 303      | GOLD PLATE PER MIL-G-45204 |
|--------------------------|--|----------------------------|
| DIELECTRIC               | TFE FLUOROCARBON PER ASTM-D-1457                           | N/A                        |
| CENTER CONTACT           | BERYLLIUM COPPER PER ASTM B 196, ALLOY C17300, CONDITION H | GOLD PLATE PER MIL-G-45204 |
| RETAINING RING           | BERYLLIUM COPPER PER ASTM B 194, ALLOY C17200, CONDITION H | N/A                        |
| GASKET                   | SILICONE RUBBER PER ZZ-R-765                               | N/A                        |
| COMPONENT                | MATERIAL   | FINISH                     |

1051113-1  
 PART NUMBER

|  |  |                     |   |  |
|--|--|---------------------|---|--|
| THIS DRAWING IS A CONTROLLED DOCUMENT. |  | DWN R.B.G. 11-18-76 | Tyco Electronics Corporation<br>Harrisburg, PA 17105-3608     |  |
|  |  | CHK E.C.A. 12-2-76  |   |  |
| DIMENSIONS: INCHES[mm]                 |  | APVD R.M.F. 12-2-76 | NAME OSM HIGH FREQUENCY, RIGHT ANGLE CABLE PLUG DIRECT SOLDER |  |
|  |  | PRODUCT SPEC        | SIZE CAGE CODE DRAWING NO RESTRICTED TO                       |  |
|  |  | APPLICATION SPEC    | A3 00779 C-1051113-1  |  |
| MATERIAL                               |  | WEIGHT              | CUSTOMER DRAWING SCALE 5:1 SHEET 1 of 1 REV B                 |  |