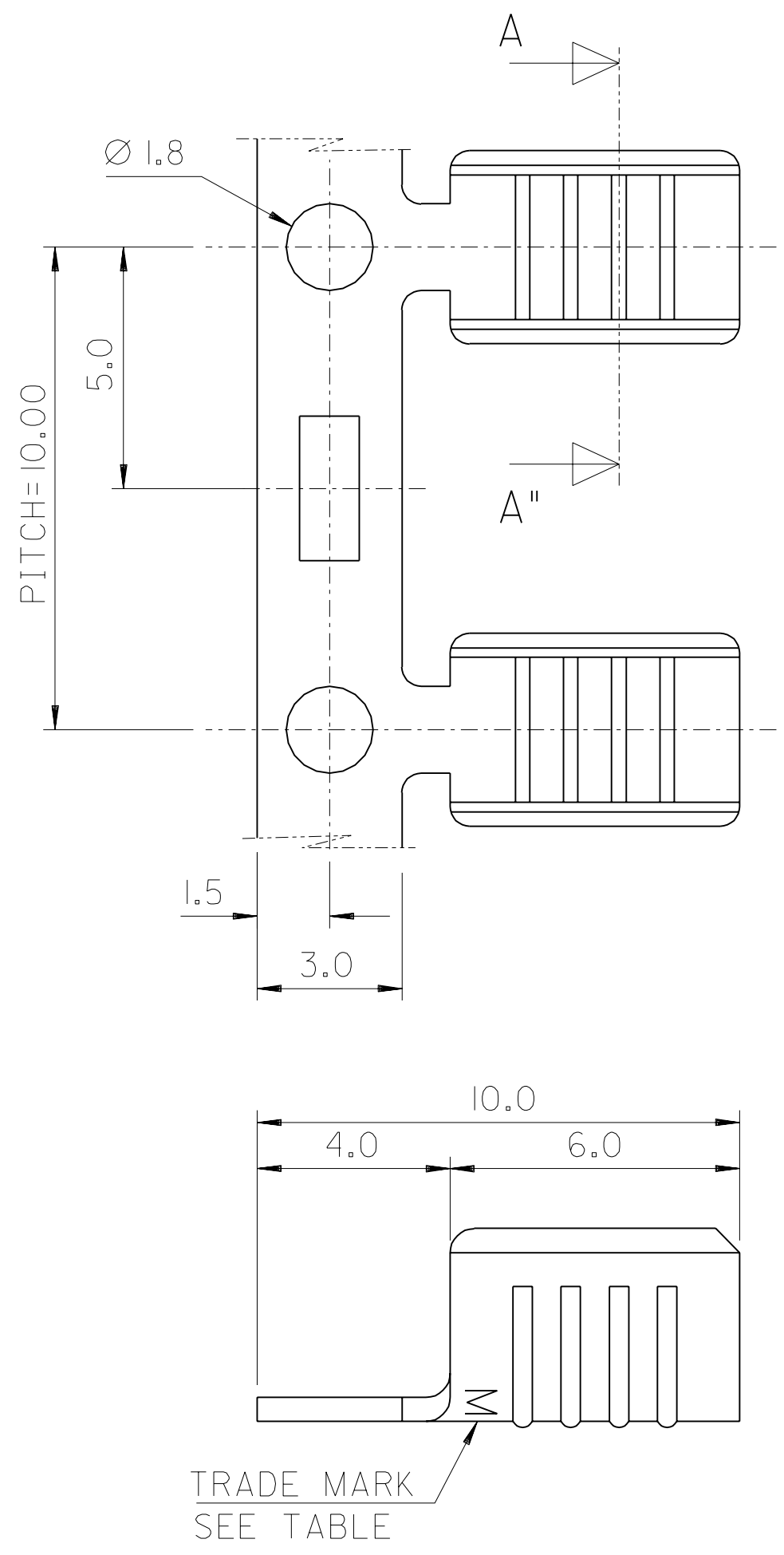


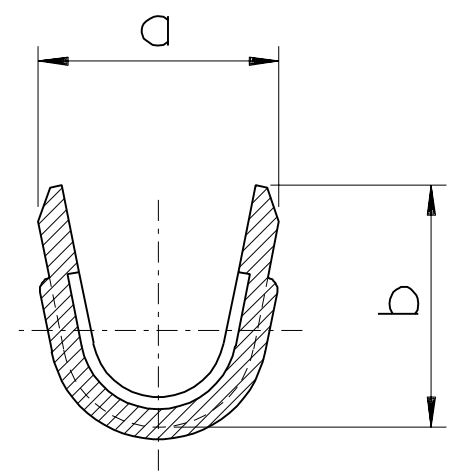
DWG. NO. SD 35760-7\*\*0  
 SIMILAR ITEM  
 PROJECT NO.  
 DO NOT SCALE DRAWING DIMENSION IN METRIC



NOTES

1. MATERIAL : BRASS , 0.5mm THICKNESS
2. PART NO.

PART NO.	DIM'S		FINISH	WIRE SIZE	MAT'L THICK'	TRADE MARK
	a	b				
35760-7100	3.3	3.3	UNPLATED	AWG #20-#16	0.5mm	MK2
35760-7110			POST PLATED TIN			
35760-7140			TIN-LEAD			
35760-7200	4.2	4.2	UNPLATED	AWG #16-#12	0.5mm	MK2
35760-7210			POST PLATED TIN			
35760-7240			TIN-LEAD			
35760-7205	4.2	4.2	POST PLATED TIN		0.4mm	MK24



REVISED	EC NO. DRWN: W.Y. YANG 01/11/15 CHK: APPR:	DESCRIPTION	QUALITY SYMBOLS	GENERAL TOLERANCES: (UNLESS SPECIFIED)		SCALE 8:1	DESIGN UNITS <input checked="" type="checkbox"/> mm <input type="checkbox"/> INCH	THIRD ANGLE PROJECTION <input checked="" type="checkbox"/>	DIMENSIONS: <input type="checkbox"/> mm <input type="checkbox"/> INCH <input checked="" type="checkbox"/> mm ONLY		SHT	REV
			MAJOR $\blacktriangledown = 0$ CRITICAL $\blacktriangle = 0$	mm	INCH	DRAWN BY & DATE J.S.KANG 93/10/07		TITLE: WIRE SPLICE (S),(SM)		MOLEX INCORPORATED KOREA		
				4 PLACES $\pm 0.$	$\pm .$	CHECKED BY & DATE B.K.CHOI 93/10/07						
				3 PLACES $\pm 0.$	$\pm .$	APPROVED BY & DATE C.W.LEE 93/10/07						
				2 PLACES $\pm 0.20$	$\pm .$	CAD FILENAME S7607100.DGN		MATERIAL NO. SEE TABLE	DRAWING NO. SD-35760-7**0	SHEET NO. 10F1		
				1 PLACE $\pm 0.30$	$\pm .$	ANGULAR: $\pm$ °		THIS DRAWING CONTAINS INFORMATION THAT IS PROPRIETARY TO MOLEX INCORPORATED AND SHOULD NOT BE USED WITHOUT WRITTEN PERMISSION.		SIZE B		
B		REV		DRAFT WHERE APPLICABLE MUST REMAIN WITHIN DIMENSIONS								