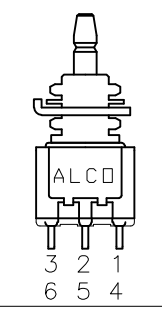
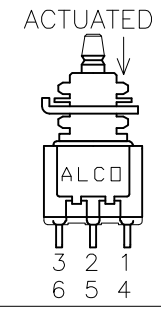


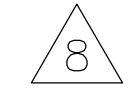

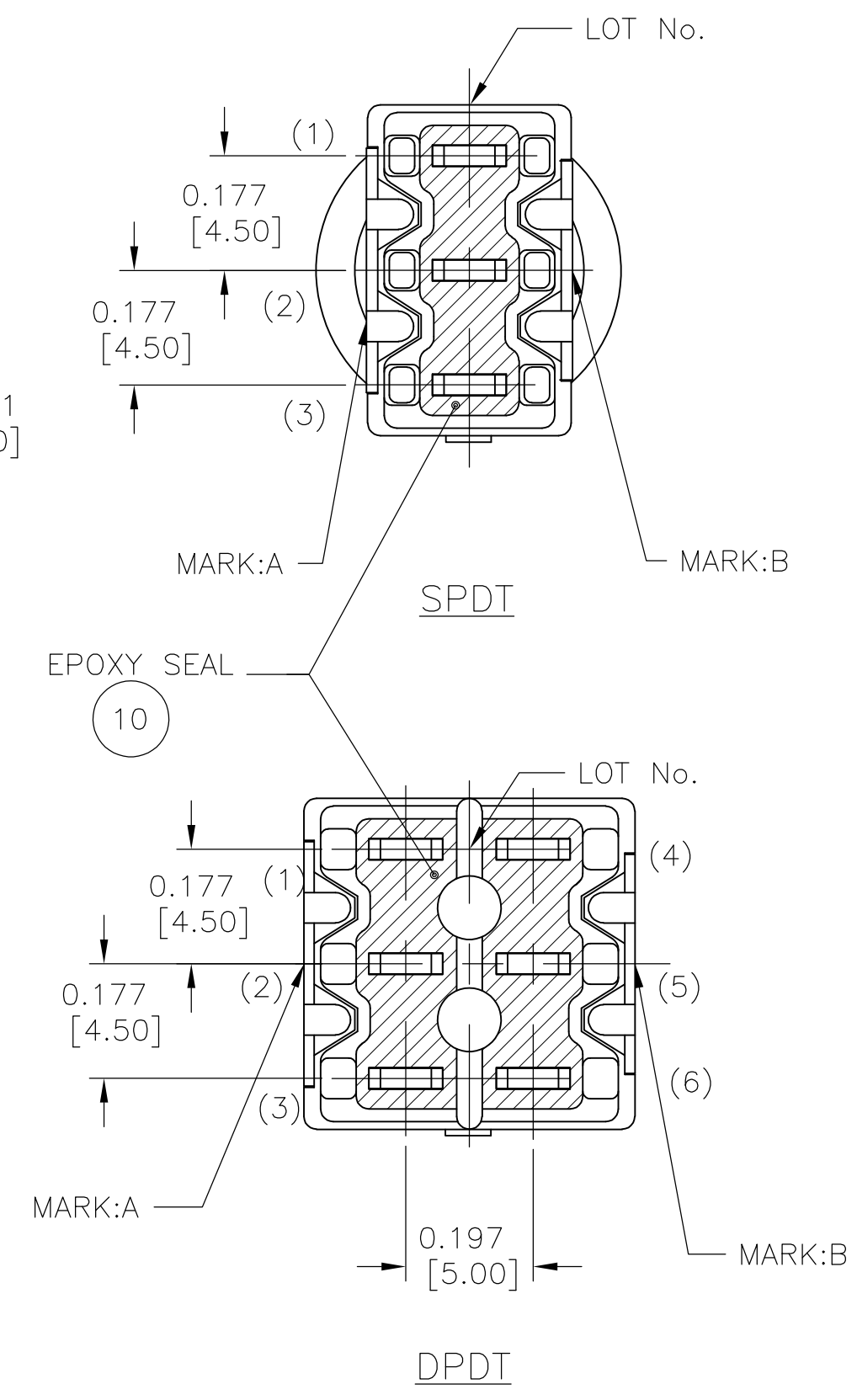
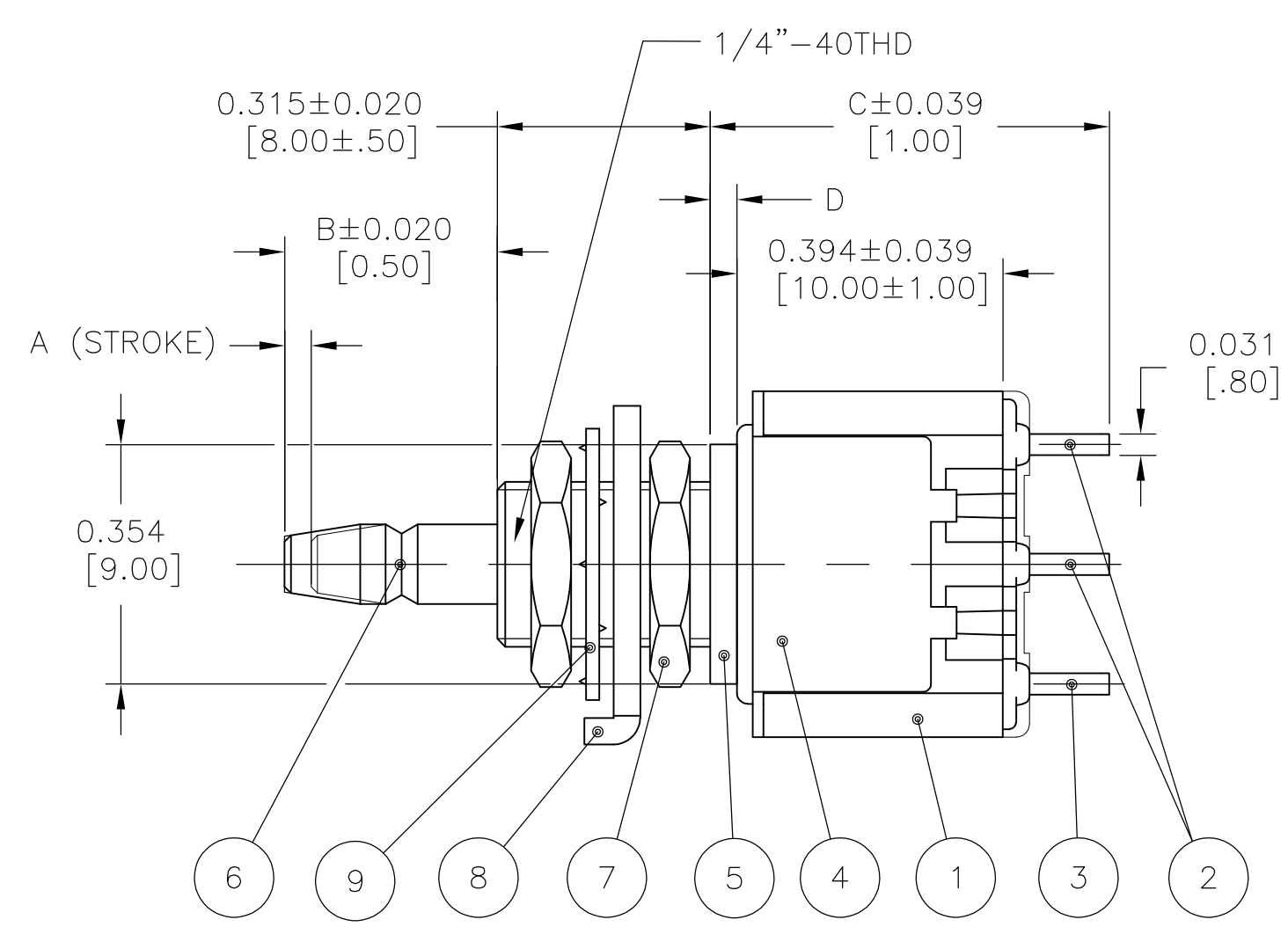
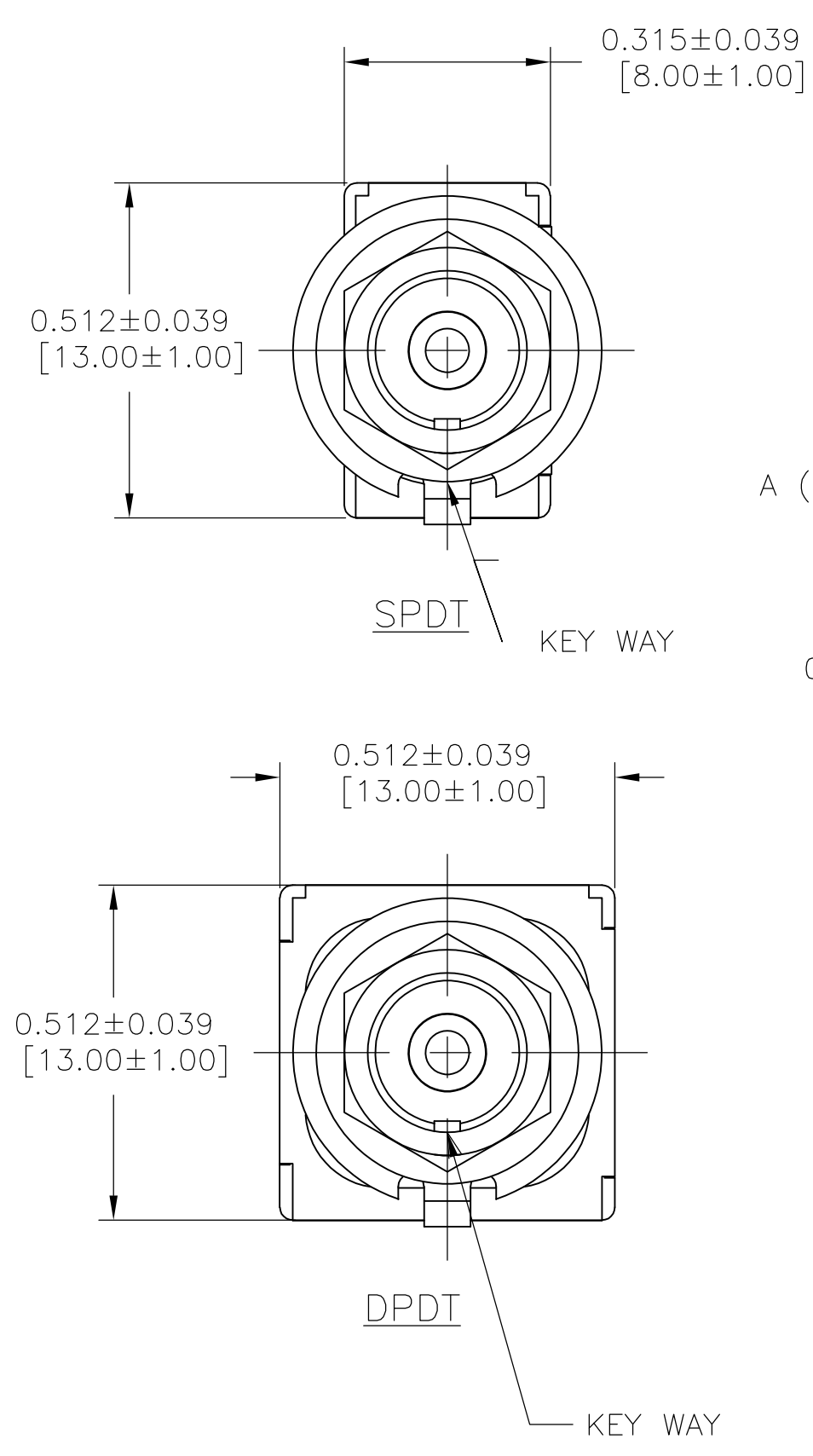


		DIMENSION				OPERATING FORCE	PART NUMBER	TYPE	MARK			
		A	B	C	D				MARK:A	MARK:B		
	ON-ON	.098 [2.5]	.331 [8.4]	.650 [16.5]	.098 [2.5]		1977739-1 MPS103D	SPDT	MPS103D ALCO	AC 3A 125V ON ON C	3-1	
MOMENTARY	ON-(ON)	.039 [1]	.315 [8]	.591 [15]	.039 [1]		1977739-2 MPS103F	SPDT	MPS103F ALCO	AC 3A 125V NO NC C	(3)-(1)	
	ON-ON	.098 [2.5]	.331 [8.4]	.650 [16.5]	.098 [2.5]		1977739-3 MPS203N	DPDT	MPS203N ALCO	AC 3A 125V ON ON C	3-1 6-4	
MOMENTARY	ON-(ON)	.039 [1]	.315 [8]	.591 [15]	.039 [1]		1977739-4 MPS203R	DPDT	MPS203R ALCO	AC 3A 125V NO NC C	(3)-(1) (6)-(4)	




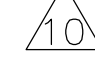
NOTE: TERMINALS 4,5,6 ARE FOUND ONLY ON DP VERSIONS (-3, -4)



SPECIFICATIONS:

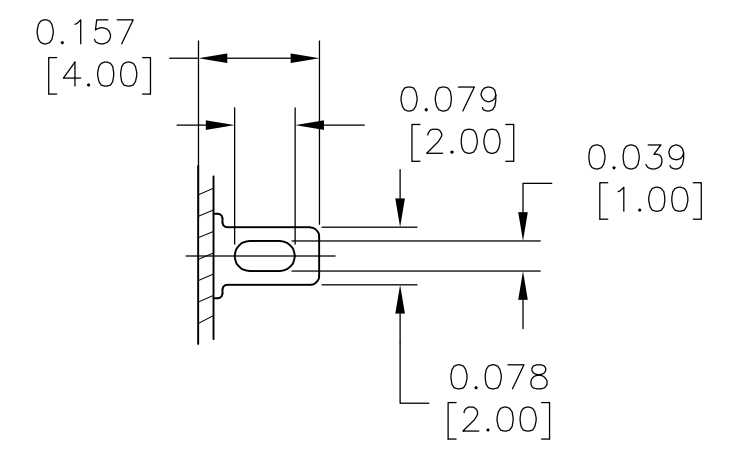
- RATING: 3A 125V AC (RESISTIVE LOAD)
- INITIAL CONTACT RESISTANCE: 10mΩ MAX. AT 1A 2~4V DC.
- INITIAL INSULATION RESISTANCE: 1,000MΩ MIN. AT 500V DC.(BETWEEN TERMINALS AND TERMINAL-GROUND)
- INITIAL DIELECTRIC STRENGTH: 1,000V AC FOR 1 MINUTE.(BETWEEN TERMINALS AND TERMINAL-GROUND)
- DURABILITY: 25,000 CYCLES
- LEAKAGE CURRENT: 500µA MAX. AT RATING VOLTAGE FOR 5 SECONDS. AFTER ELECTRICAL ENDURANCE (BETWEEN TERMINALS AND TERMINAL-GROUND)

OPERATING FORCE:

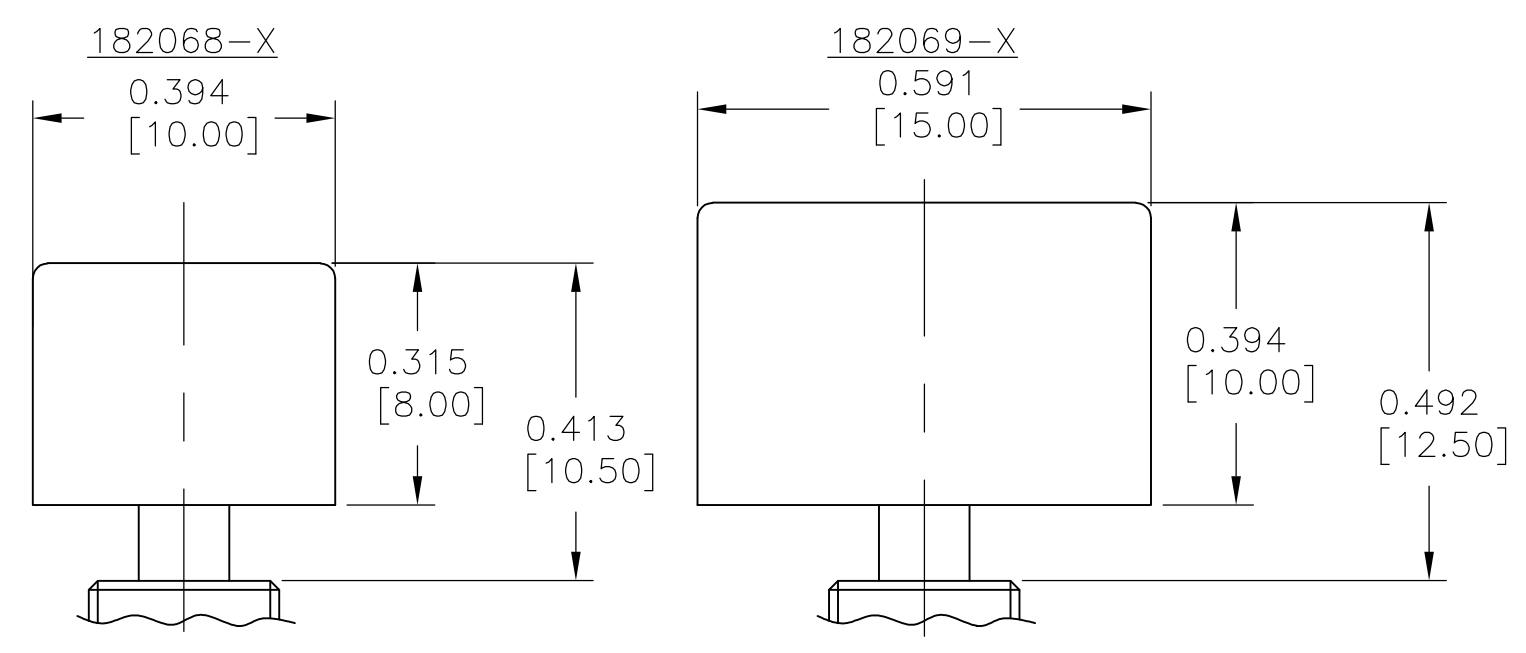
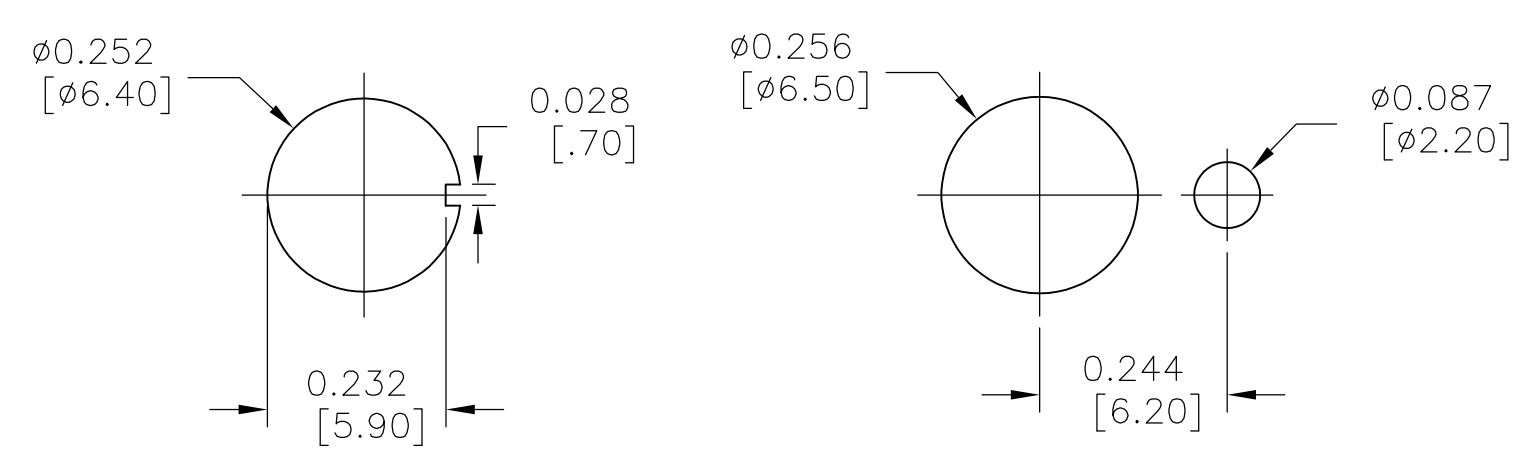
-  3.92±1.96N.(400±200gf)
-  4.9±1.96N.(500±200gf)
-  2.94±0.98N.(300±100gf)
-  4.9±1.96N.(500±200gf)

- 11 OPERATING TEMP: -20 ~ +85°C
STORAGE TEMP: -40 ~ +85°C
- 12 ALL MATERIALS AND FINISHES SHALL COMPLY WITH EU DIRECTIVE 2002/95/EC OF 27JAN2003 (ROHS)

TERMINAL FORM



PANEL CUT-OUTS



BUTTON CAP

SOLD SEPARATELY

SEE DRAWINGS 1825068 (ø.394 [10 MM]) & 1825069 (ø.591 [15 MM]) FOR COLOR CHOICES

A/R	A/R	BLUE	-	EPOXY	10
1	1	ZINC PLATE	CARBON TOOL STEEL	TOOTH WASHER	9
1	1	ZINC PLATE	COLD ROLLED STEEL	LOCATING RING	8
2	2	NICKEL PLATE	BRASS	PLUNGER	7
1	1	NICKEL PLATE	BRASS	PLUNGER	6
1	1	-	STAINLESS STEEL	FRAME	4
2	1	SILVER PLATE	BRASS	COMMON TERMINAL	3
4	2	SILVER PLATE	SILVER + BRASS	FIXED CONTACT	2
1	1	(BLUE)	EPOXY RESIN	CASE	1
2	1	FINISH (COLOR)	MATERIALS	PARTS	NO
POLES	POLE QTY				

THIS DRAWING IS A CONTROLLED DOCUMENT.

DIMENSIONS: INCHES[MM]	TOLERANCES UNLESS OTHERWISE SPECIFIED:	DWG: RAGHAVENDRA 28JAN11	CHK: EPPLEY NAZ 28JAN11	DATE: 28JAN11	NAME: EPPLEY NAZ	PRODUCT SPEC: MPS SERIES PUSHBUTTON MPS103 (SPDT) & MPS203 (DPDT) WIRE LUG TERMINATION
0 PLC ± -	1 PLC ± -	2 PLC ± -	3 PLC ± -	4 PLC ± -	ANGLES ± -	APPLICATION SPEC: -
MATERIAL: -	FINISH: -	WEIGHT: -	SIZE: A1	CAGE CODE: 00779	DRAWING NO: 1977739	RESTRICTED TO: -
CUSTOMER DRAWING		SCALE: 4:1	SHEET: 1 of 1	REV: B1		