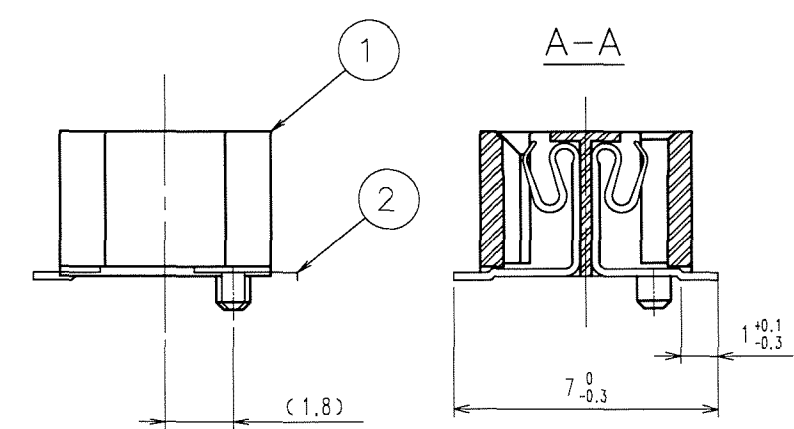
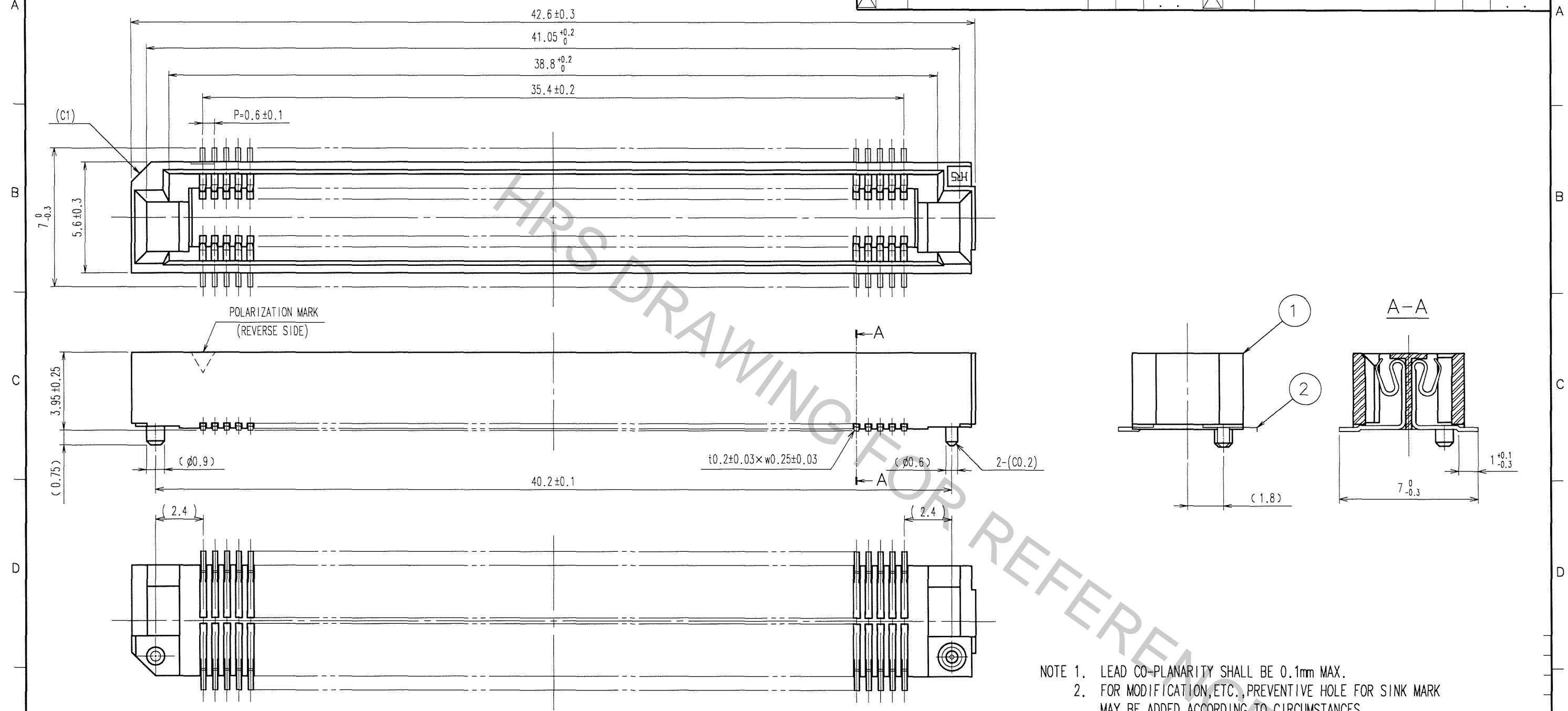


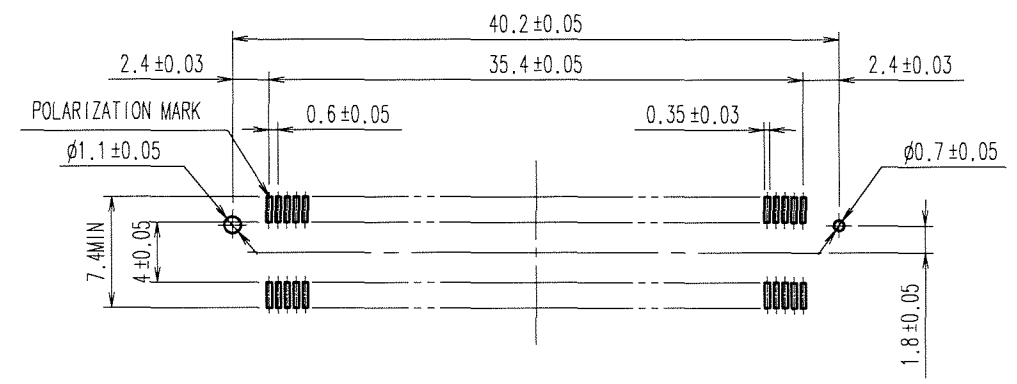
Apr.1.2017 Copyright 2017 HIROSE ELECTRIC CO., LTD. All Rights Reserved.

| COUNT | DESCRIPTION OF REVISIONS | BY | CHKD | DATE | COUNT | DESCRIPTION OF REVISIONS | BY | CHKD | DATE |
|-------|--------------------------|----|------|------|-------|--------------------------|----|------|------|
|       |                          |    |      |      |       |                          |    |      |      |
|       |                          |    |      |      |       |                          |    |      |      |
|       |                          |    |      |      |       |                          |    |      |      |



- NOTE 1. LEAD CO-PLANARITY SHALL BE 0.1mm MAX.  
 2. FOR MODIFICATION, ETC., PREVENTIVE HOLE FOR SINK MARK MAY BE ADDED ACCORDING TO CIRCUMSTANCES.  
 3. THE DIMENSIONS IN PARENTHESES ARE FOR REFERENCE.

RECOMMENDED LAND PATTERN DIMENSION OF PCB (MOUNTING SIDE) (2:1)



|     |
|-----|
| TO  |
| PCK |
|     |
|     |

|                               |                                  |                              |                                     |                                    |  |
|-------------------------------|----------------------------------|------------------------------|-------------------------------------|------------------------------------|--|
| 1                             | PPS                              | LIGHT BROWN (UL94V-0)        | 2                                   | PHOSPHOR BRONZE                    | CONTACT AREA: GOLD 0.1μm min.<br>LEAD AREA: GOLD FLASH<br>UNDER PLATING: NICKEL 1.5μm min. |
| NO.                           | MATERIAL                         | FINISH, REMARKS              | NO.                                 | MATERIAL                           | FINISH, REMARKS  |
| CODE NO. (OLD)<br>CL          | DRAWN<br>K. NAKAMURA<br>06.03.16 |                              | DESIGNED<br>K. NAKAMURA<br>06.03.16 | CHECKED<br>X. Ogiwara<br>'06.03.17 | APPROVED<br>H. Okawa<br>'06.03.17  |
| DRAWING NO.<br>EDC3-150884-25 |                                  | PART NO.<br>FX8C-120S-SV(71) |                                     |                                    |  |
| UNITS<br>mm                   |                                  | CODE NO.<br>CL578-0806-6-71  |                                     |                                    | 1/1  |