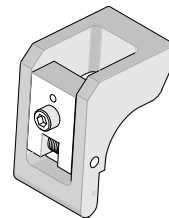


**Replacement
Trigger
Safety Kit**

molex

**Application Tooling
Specification Sheet**



Order No. 19279-0099

FEATURES

- Replacement kit easily fits over the trigger handle of the 19279-0001 AT-200 Air-Powered Crimp Tool.
- Prevents accidental operation of the trigger.

SCOPE

This assembly is included in the AT-200 Air-Powered Crimp Tool 19279-0001 as of 2014 however for older models of this tool it is recommended to purchase the Trigger Safety Kit 19279-0099.

Installation:



Note: Always disconnect air supply before installing or servicing this tool.

1. Remove the #4-40 socket head cap screw and set aside.
2. Slide off the Safety Lug and Safety Spring from the trigger handle. See Figure 1.
3. Install the Trigger Safety Kit onto the existing dowel pin at the end of the trigger handle.
4. Re-install the #4-40 socket head cap screw. See Figure 2.

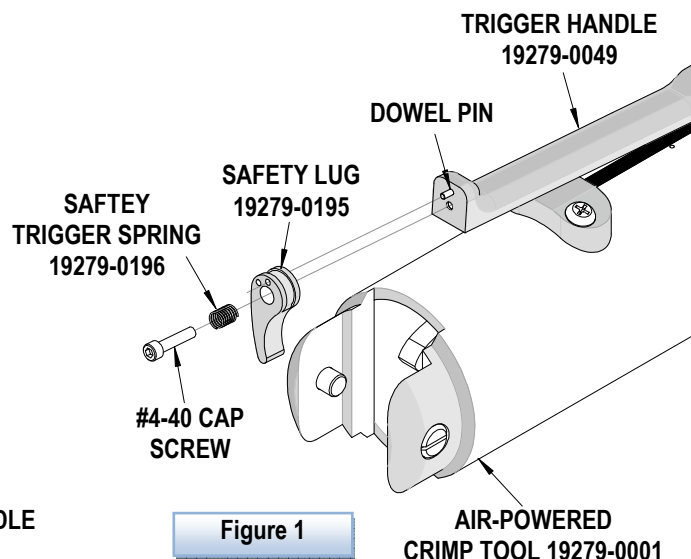


Figure 1

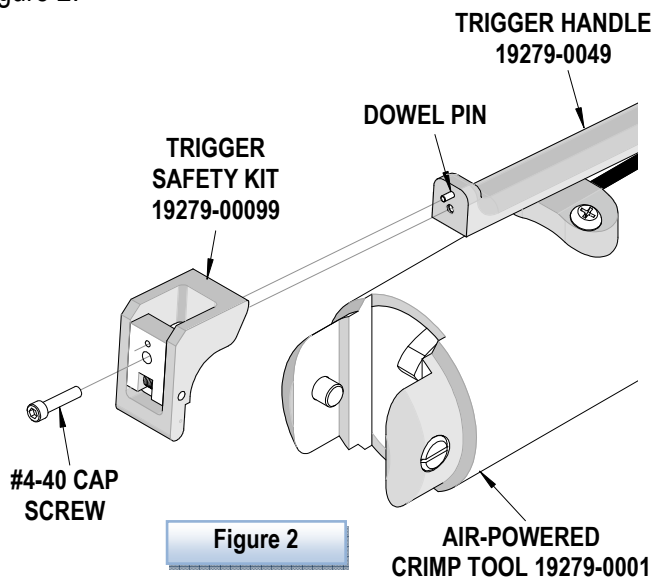


Figure 2

Operation

1. For the proper crimping head, use the tool order number specified on the label of connector container.
2. Strip the proper wire to the length specified on the label of connector container or on the air powered crimp tool head specification sheet.
3. Load the desired terminal into the crimp nest. Insert the properly stripped wire into the terminal barrel.

For the Bench Mount Application

1. Slide the Air Powered Crimp Tool into the base. The safety will bump against the base top and the trigger on the crimp tool will unlock. See Figure 3.



CAUTION: Air-Powered Crimp Tool will not operate if the safety in trigger is locked.

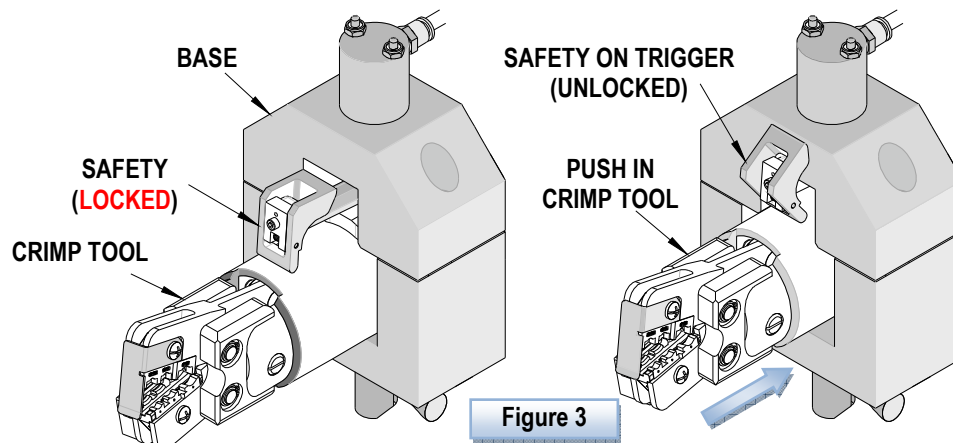


Figure 3

1. Push on the wire to assure it is fully seated in the terminal. Cycle the tool by activating the foot pedal.
2. Remove the crimped terminal. Inspect for proper crimp location.

For Hand Held Application

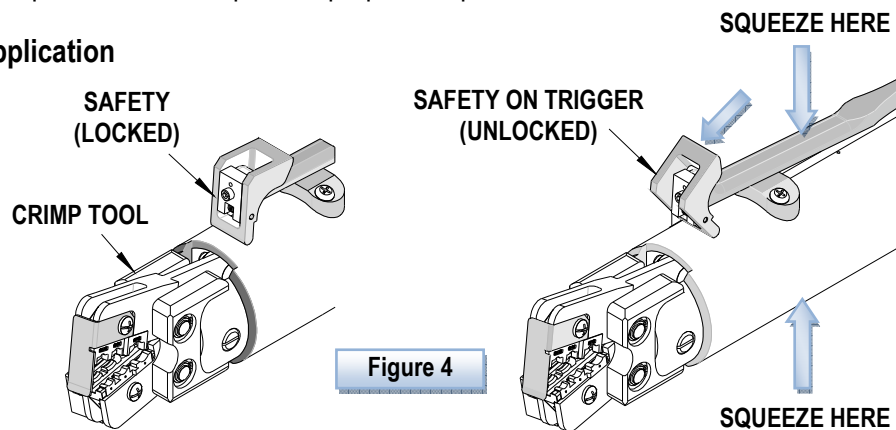


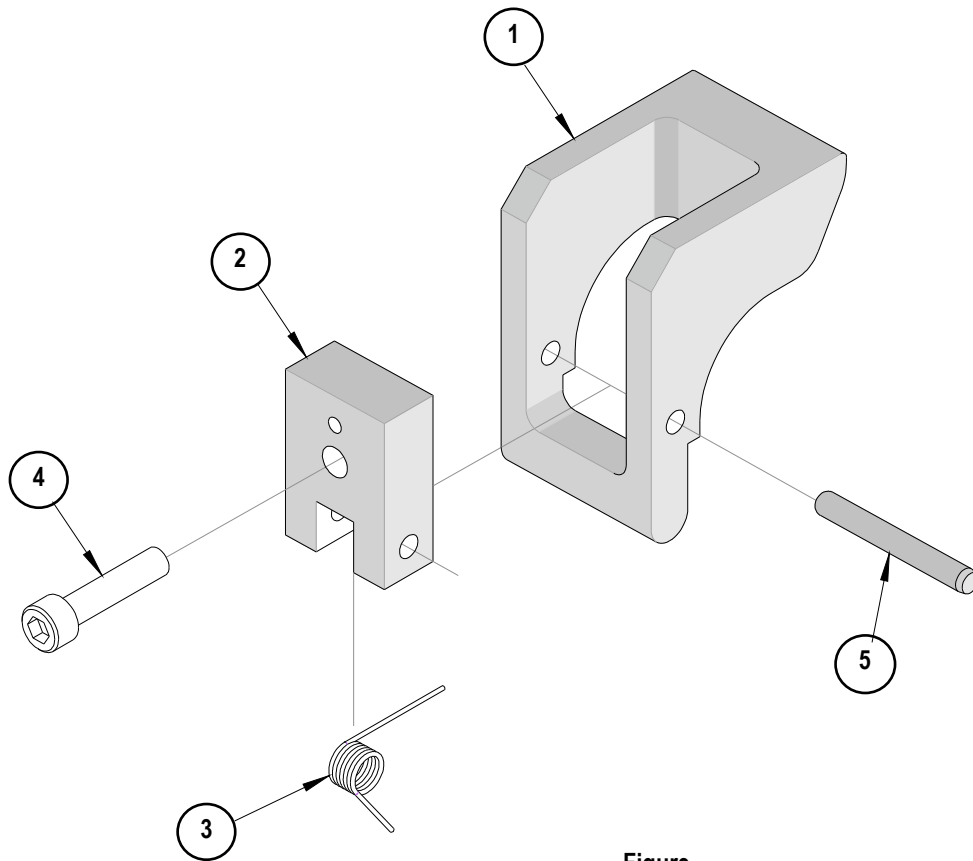
Figure 4

3. Push on the wire to assure it is fully seated in the terminal.
4. Activate the AT-200 Crimp Tool by sliding the safety on the trigger forward using your thumb and then squeezing the trigger until the crimp jaws are fully closed. See Figure 4.
5. Release the trigger and remove the crimped terminal. Inspect for proper crimp location.

Parts list and assembly

19279-0099-Trigger Safety Kit Figure 4-5				
Item	Order No.	Engineering No.	Description	Qty
1	19279-0203	19279-0203	Pivot Block	1
2	19279-0204	19279-0204	Safety Latch	1
3	63600-0052	63600-0052	Torsion Spring	1
4	N/A	N/A	#4-40 by .50" Long SHCS	1**
5	N/A	N/A	3/32 Diameter by 3/4 Long Dowel Pin	1**

** Available from an industrial supply company such as MSC (1-800-645-7270).



Figure

Visit our Web site at www.molex.com