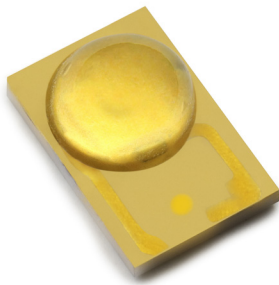




LUXEON Rebel PLUS

The original high-power LED



LUXEON Rebel PLUS is an industry standard 4530 package with a 2.5mm² dome. With hot testing and color binning, every LUXEON Rebel PLUS is tested and specified at real world operating conditions — 85°C. Our exceptional color control enables design simplicity for luminaire manufacturers and ensures that they can be confident in color consistency from LED to LED. The superior quality of light, light output, and real world efficacy enable leading performance and efficient solution development in a wide variety of outdoor and industry lighting segments.

FEATURES AND BENEFITS

- 3- & 5-step MacAdam ellipse: *Freedom from Binning* for superior quality of light
- Ability to deliver high Lm/\$ for Indoor applications
- Low typical Vf ~ 2.8V
- Small optical source size
- Full range of CCTS in 80CRI minimum
- LM-80 test report available

PRIMARY APPLICATIONS

- High Bay & Low Bay
- Outdoor

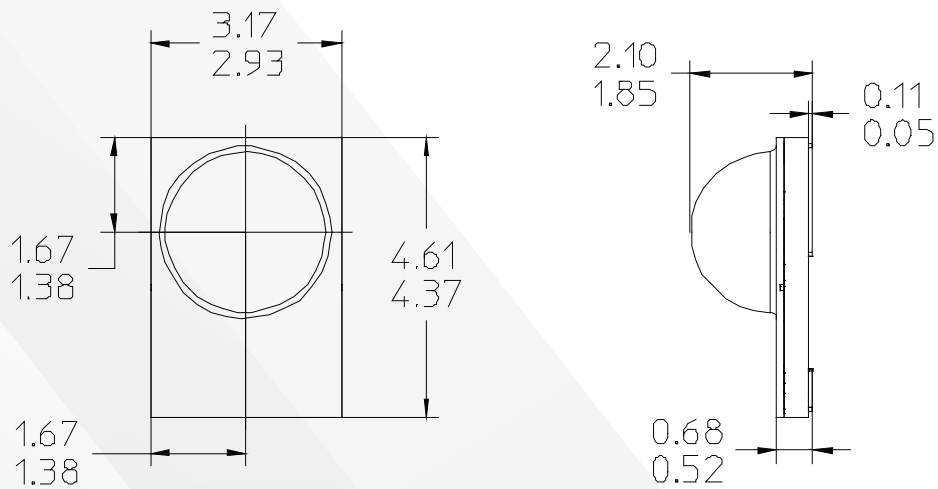
LUXEON Rebel PLUS product performance at 350mA and 700mA, T_j=85°C.

NOMINAL CCT ^[1]	MINIMUM CRI ^[2]	LUMINOUS FLUX ^[3] (lm)		TYPICAL LUMINOUS EFFICACY (lm/W)	TYPICAL LUMINOUS FLUX (lm)	TYPICAL LUMINOUS EFFICACY (lm/W)	PART NUMBER
		MINIMUM	TYPICAL				
		350mA			700mA		
2700K	80	80	85	88	156	78	LX18-P127-Y
3000K	80	85	95	98	166	83	LX18-P130-Y
3500K	80	90	98	101	172	86	LX18-P135-Y
4000K	80	90	103	107	180	90	LX18-P140-Y
5000K	80	95	106	110	186	93	LX18-P150-Y

Notes:

1. Lumileds maintains a tolerance of ±6.5% on flux measurements.
2. Correlated color temperature is based upon mounted die on highly reflective surface at T_j=25°C.

Mechanical Dimensions.



Notes:

1. Drawings are not scale.
2. All dimensions are in millimeters.