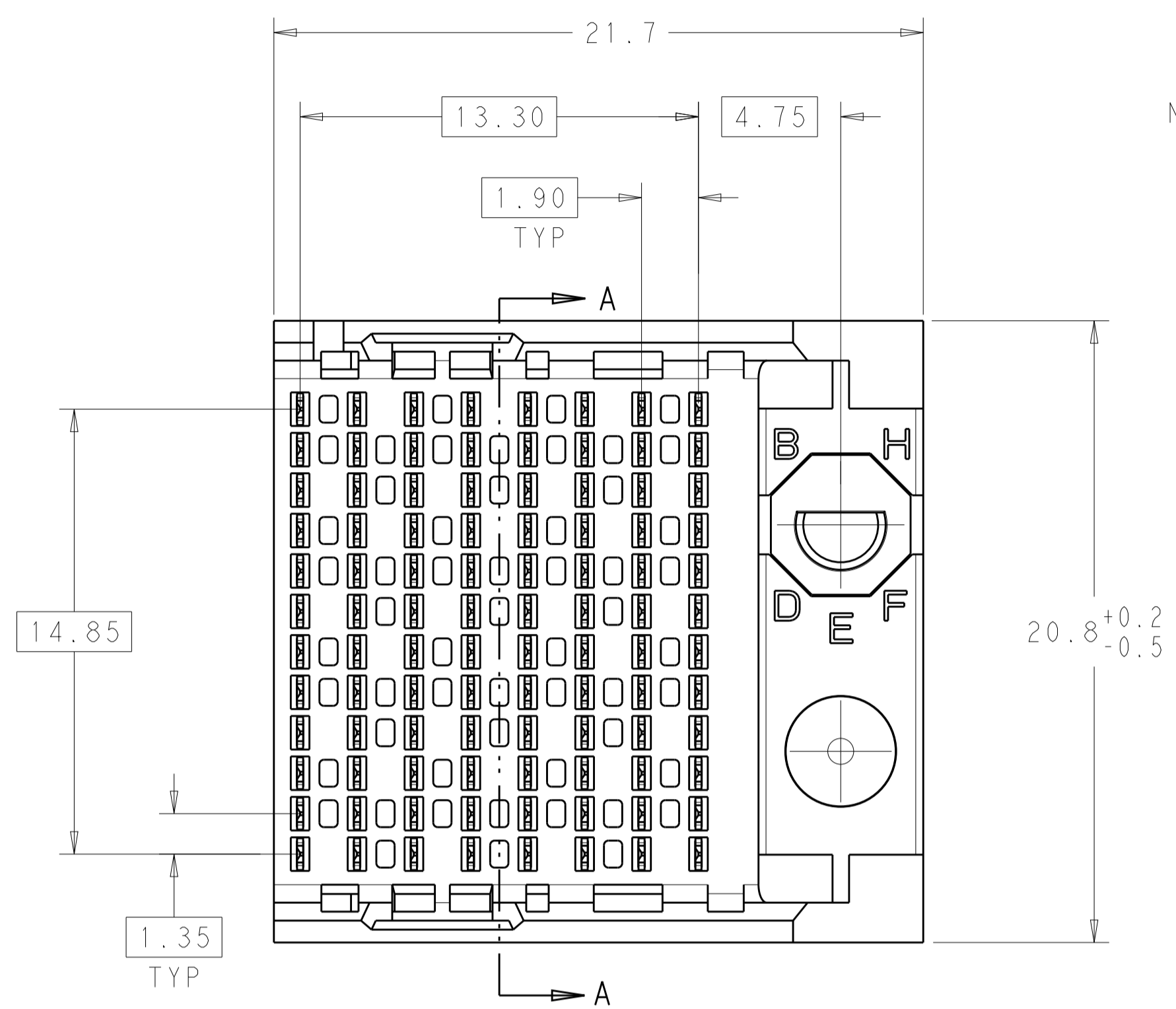
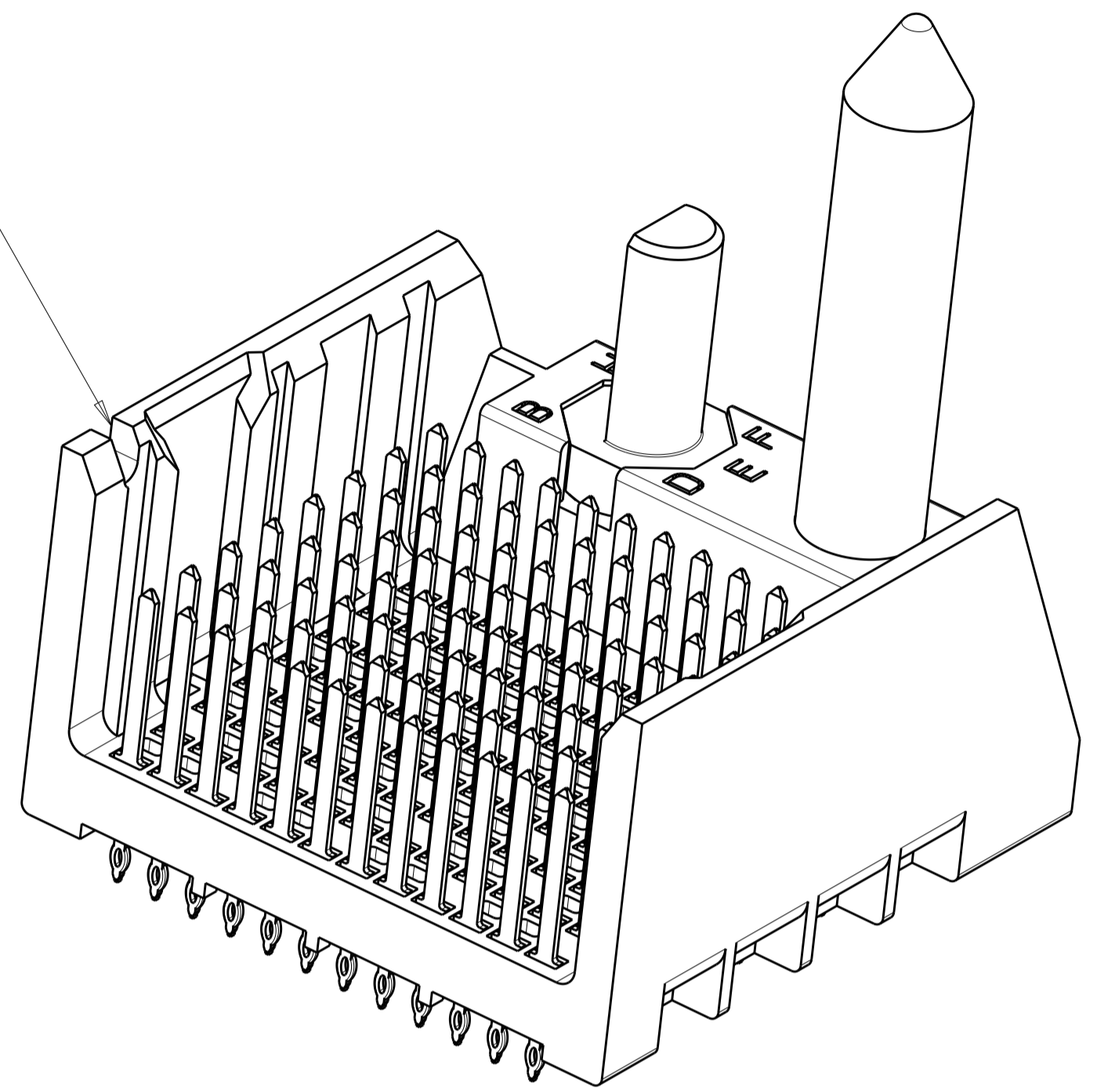


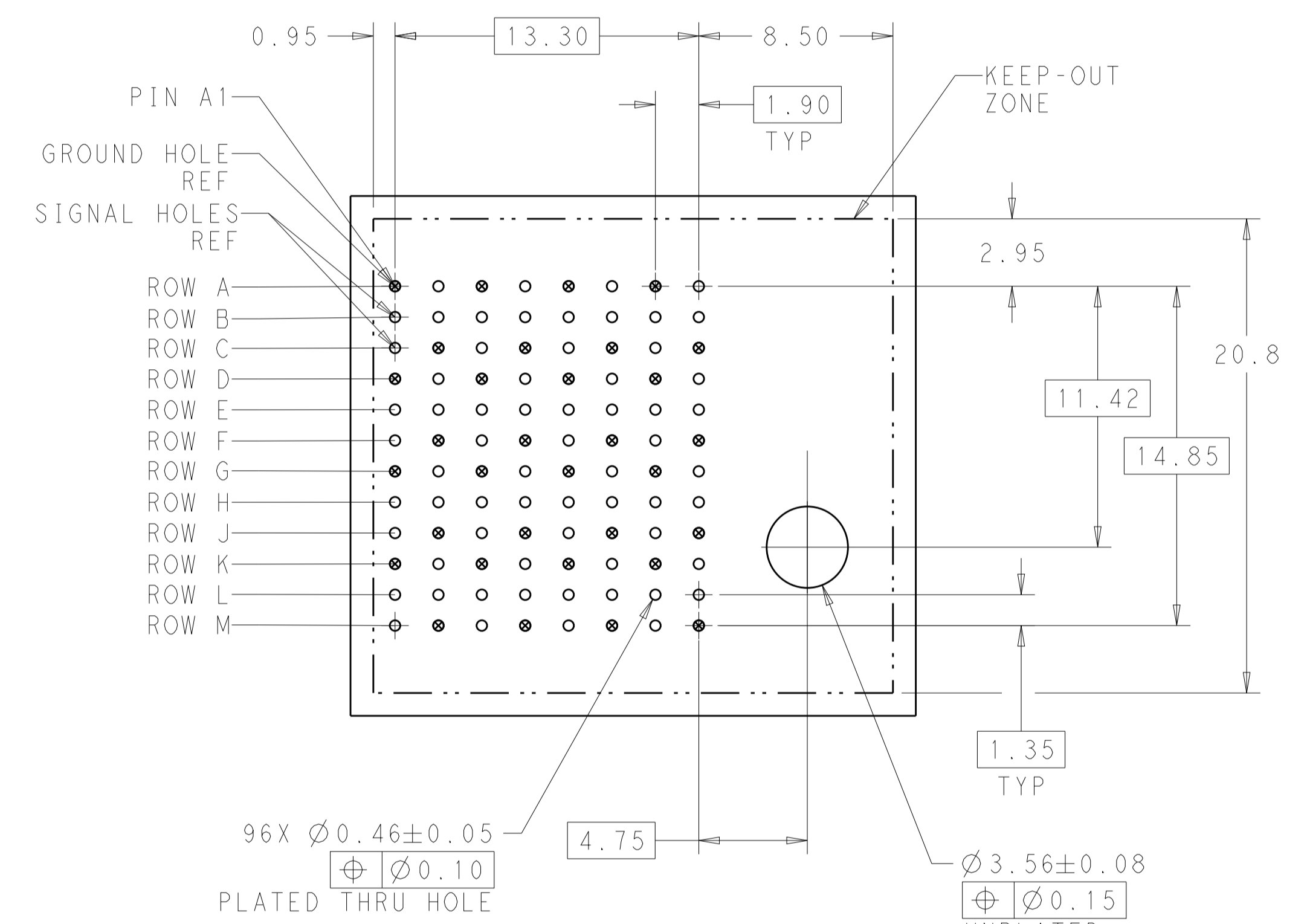
LOC		DIST		REVISIONS			
AD	00	P	LTM	DESCRIPTION	DATE	DWN	APVD
		A1		REVISED PER ECO-15-001494	05FEB2015	AP	DD



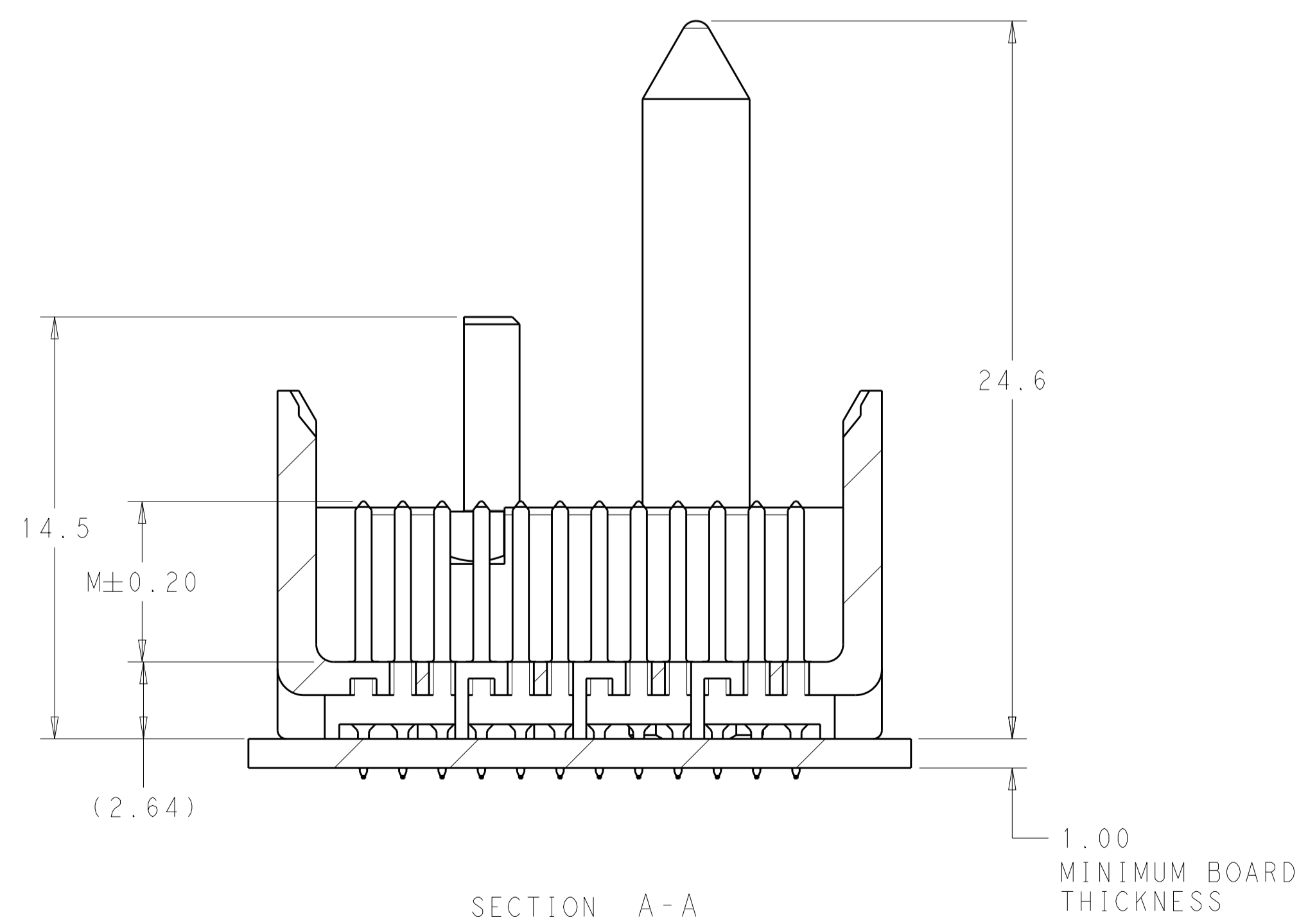
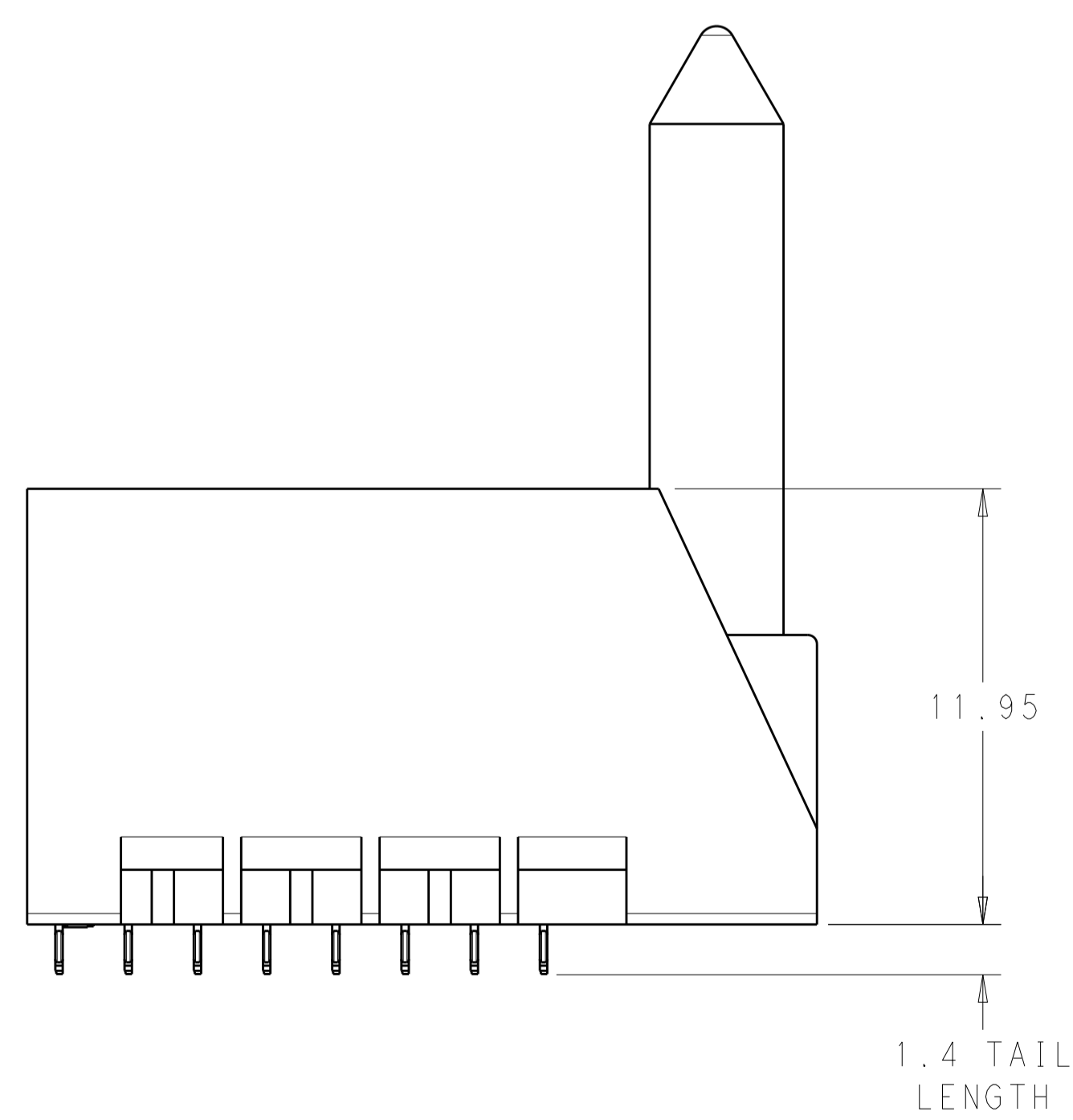
NOTCH DESIGNATES ROW A



- △ MATERIAL:
HOUSING: LCP, GLASS FILLED, UL94V-0.
TERMINALS: HIGH PERFORMANCE COPPER ALLOY.
- △ FINISH:
30μ" MIN GOLD IN CONTACT AREA. SELECTIVE TIN ON PCB TAILS, NICKEL OVERALL.
- 3. SCREWS PACKAGED IN END OF PACKAGING TUBE.
- △ FOR GROUNDED GUIDE PIN USE $\varnothing 3.56 \pm 0.08$ PTH, $\varnothing 3.66$ DRILL, AND $\varnothing 6.5$ PAD.
- 5. KEYING PIN SHOWN IN POSITION A, SEE KEYING CHART ON SHEET 2 FOR OTHER POSITIONS.

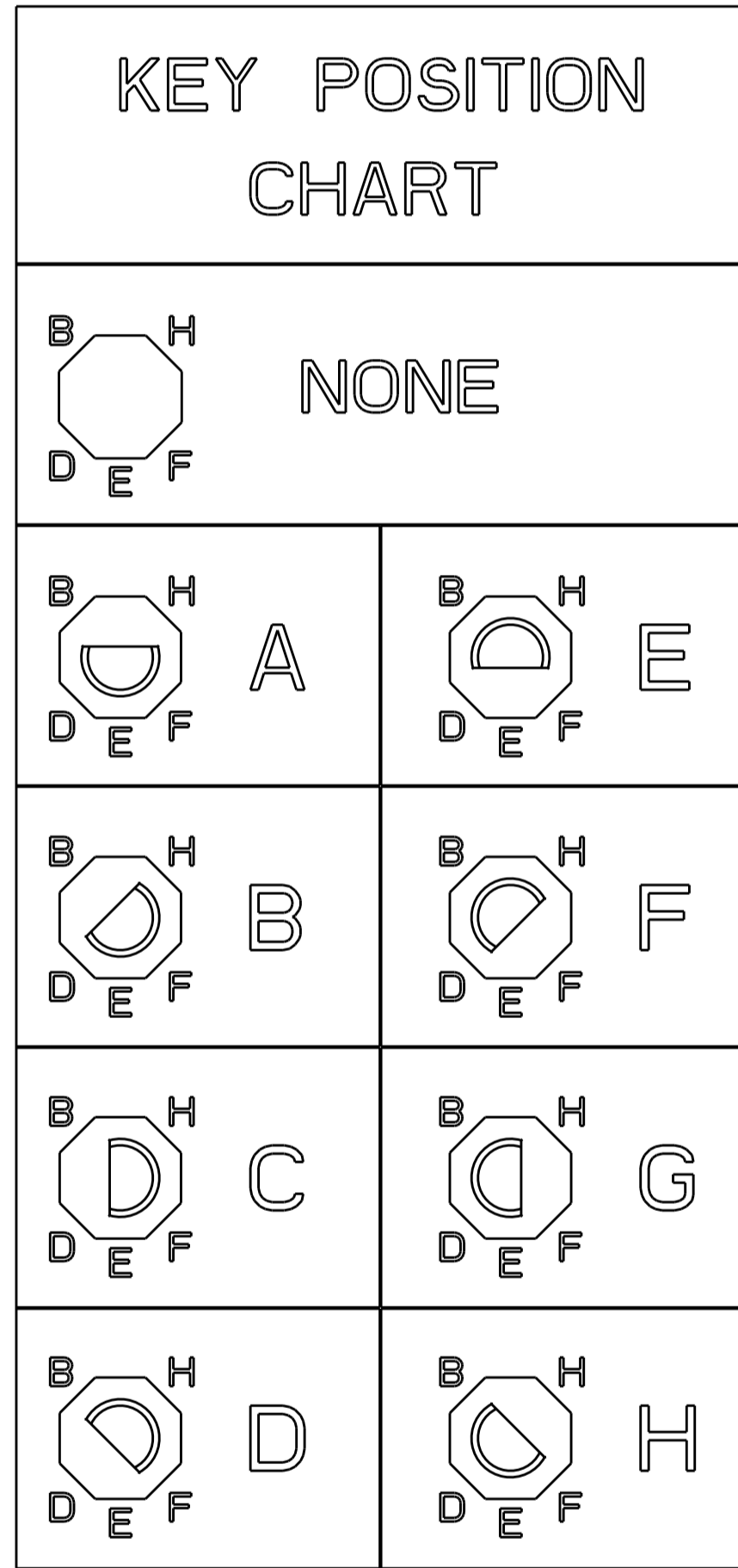


RIGHT GUIDED BACKPLANE HOLE PATTERN (CONNECTOR SIDE)



THIS DRAWING IS A CONTROLLED DOCUMENT.		DWN: R. GRZYBOWSKI 03OCT2011	TE Connectivity
DIMENSIONS: mm		CHK: J. EARY 03OCT2011	
TOLERANCES UNLESS OTHERWISE SPECIFIED:		APVD: J. EARY 03OCT2011	NAME: IMPACT, 4 PAIR, 8 COLUMN, HEADER RIGHT GUIDED, OPEN END WALL SIGNAL MODULE, 0.46 PTH
0 PLC ±0.25		PRODUCT SPEC	
1 PLC ±0.13		APPLICATION SPEC	SIZE: CAGE CODE DRAWING NO: A100779C=2057438 RESTRICTED TO:
2 PLC ±0.10		WEIGHT	
3 PLC ±0.08		CUSTOMER DRAWING	SCALE: 6:1 SHEET 1 OF 2 REV: A1
4 PLC ±0.05			
ANGLES ±0.1			
FINISH: SEE TABLE			

LOC		DIST		REVISIONS			
AD	00	REV	LTN	DESCRIPTION	DATE	DWN	APVD
-	-	-	-	SEE SHEET 1	-	-	-



	H	5.5	8-2057438-3
	H	4.9	8-2057438-2
	H	4.5	8-2057438-1
	G	5.5	7-2057438-3
	G	4.9	7-2057438-2
	G	4.5	7-2057438-1
	F	5.5	6-2057438-3
	F	4.9	6-2057438-2
	F	4.5	6-2057438-1
	E	5.5	5-2057438-3
	E	4.9	5-2057438-2
	E	4.5	5-2057438-1
	D	5.5	4-2057438-3
	D	4.9	4-2057438-2
	D	4.5	4-2057438-1
	C	5.5	3-2057438-3
	C	4.9	3-2057438-2
	C	4.5	3-2057438-1
	B	5.5	2-2057438-3
	B	4.9	2-2057438-2
	B	4.5	2-2057438-1
	A	5.5	1-2057438-3
	A	4.9	1-2057438-2
	A	4.5	1-2057438-1
	-	5.5	2057438-3
	-	4.9	2057438-2
	-	4.5	2057438-1
FINISH	KEY POSITION	DIM M	PART NUMBER

REFER TO WWW.TE.COM
FOR PRODUCT AVAILABILITY

THIS DRAWING IS A CONTROLLED DOCUMENT.		DWN -	03OCT2011	TE Connectivity
DIMENSIONS:		CHK J. EARY	03OCT2011	
mm		APVD J. EARY	03OCT2011	
TOLERANCES UNLESS OTHERWISE SPECIFIED:		PRODUCT SPEC		
0 PLC ±		APPLICATION SPEC		NAME IMPACT, 4 PAIR, 8 COLUMN, HEADER RIGHT GUIDED, OPEN END WALL SIGNAL MODULE, 0.46 PTH
1 PLC ±0.25		WEIGHT		
2 PLC ±0.13		CUSTOMER DRAWING		SIZE CAGE CODE DRAWING NO RESTRICTED TO
3 PLC ±		SCALE 5:1		A100779C=2057438
4 PLC ±		SHEET 2 OF 2		REV A1
ANGLES ±				
FINISH SEE TABLE				