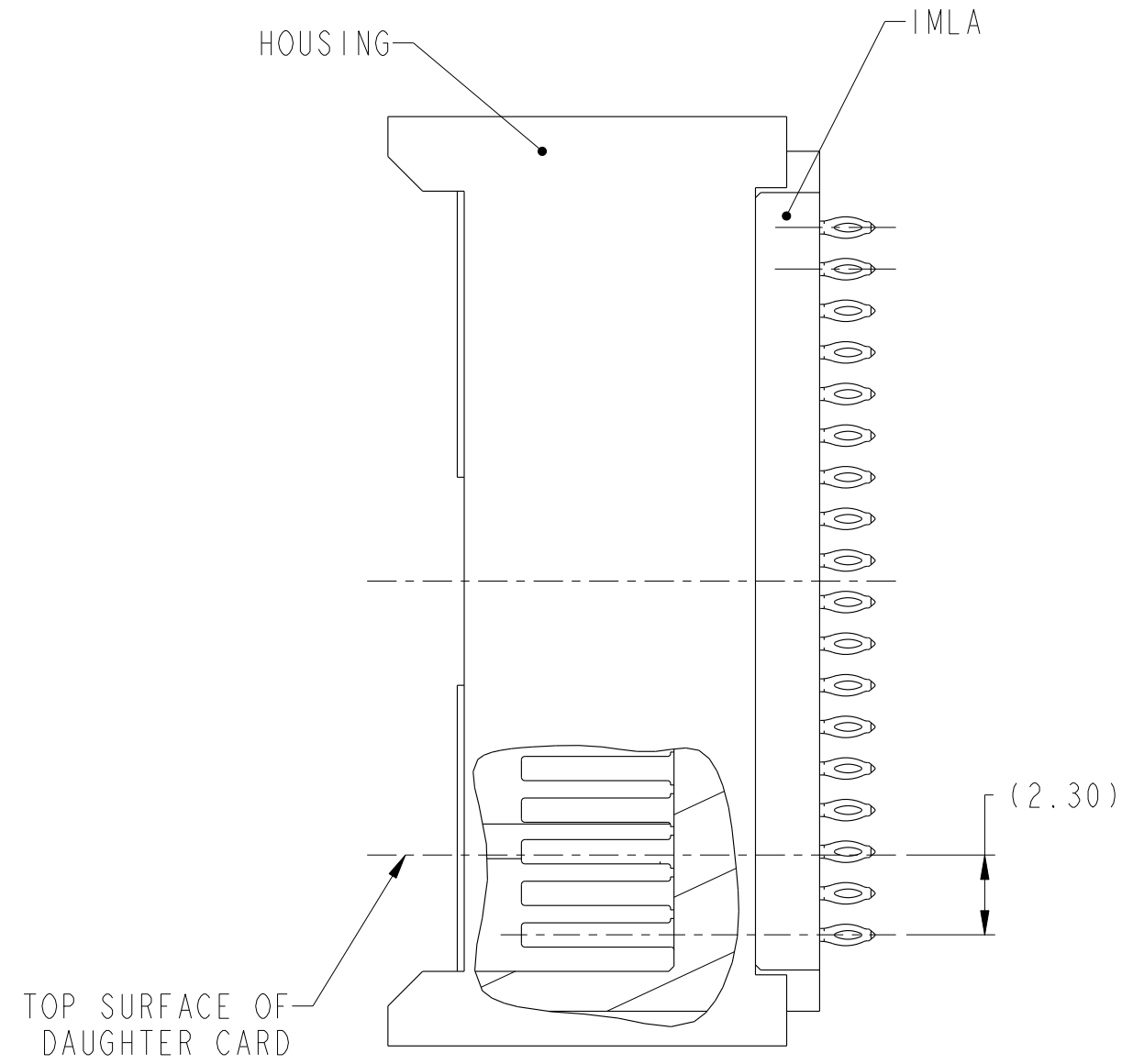
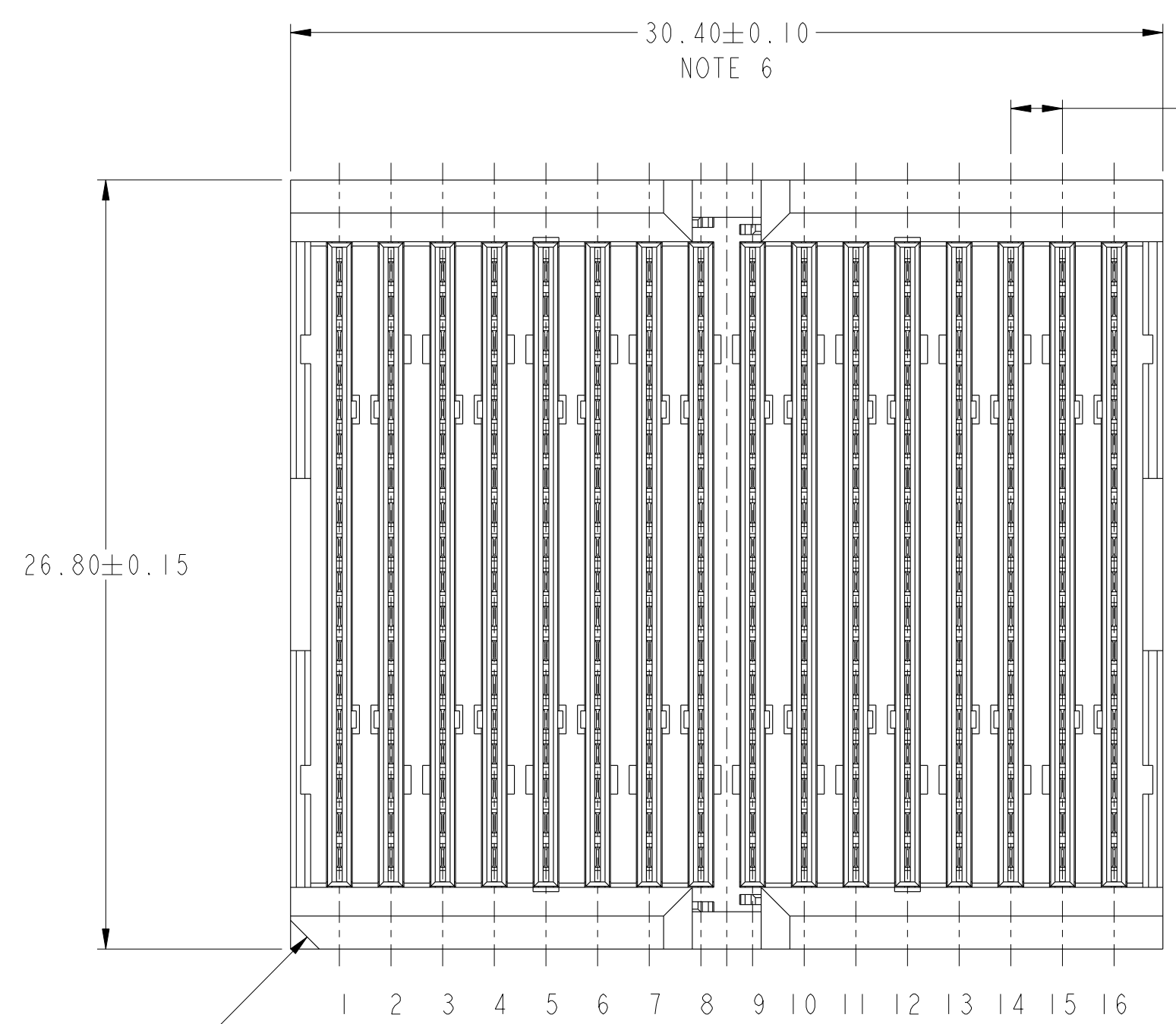
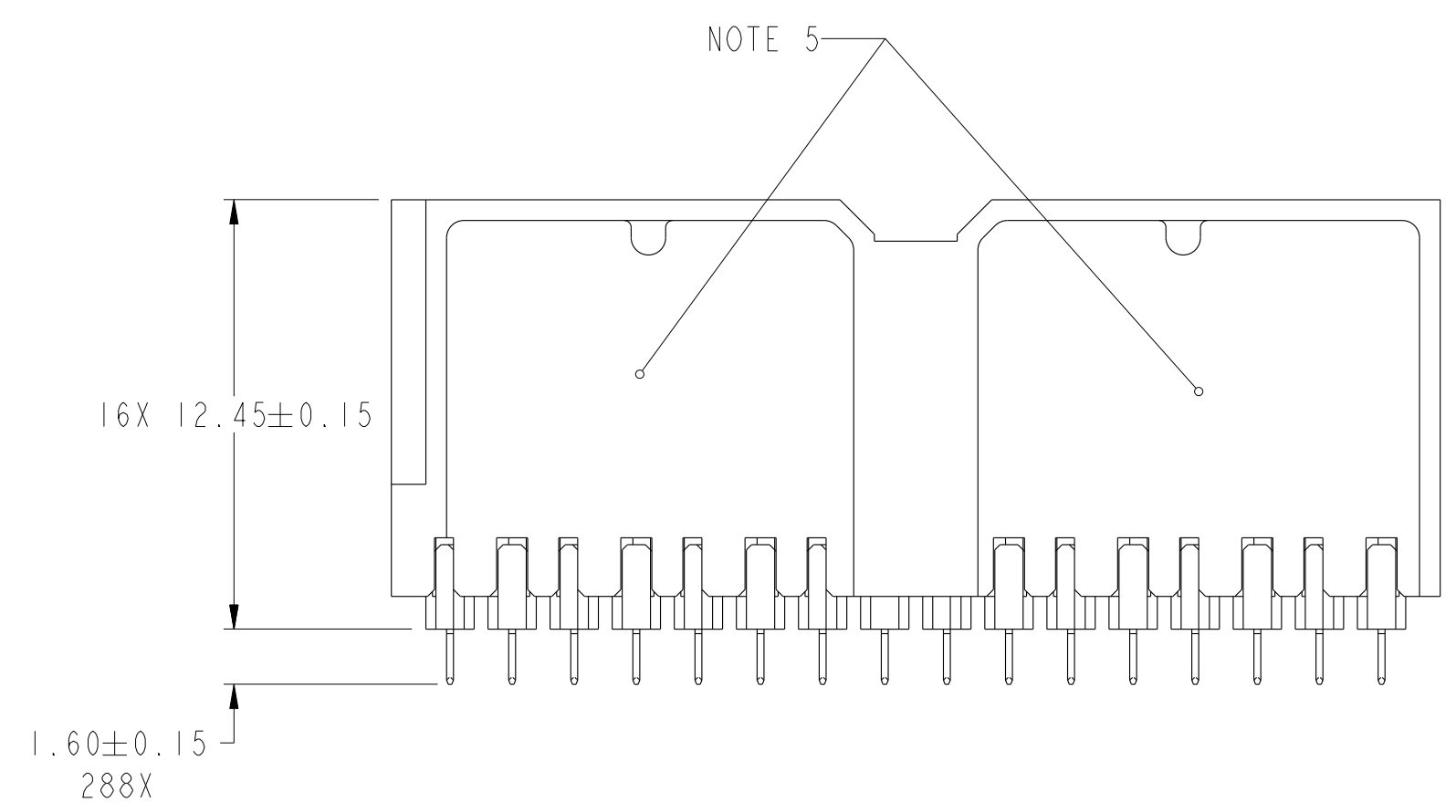


Product number  
SEE TABLE, SHT 3



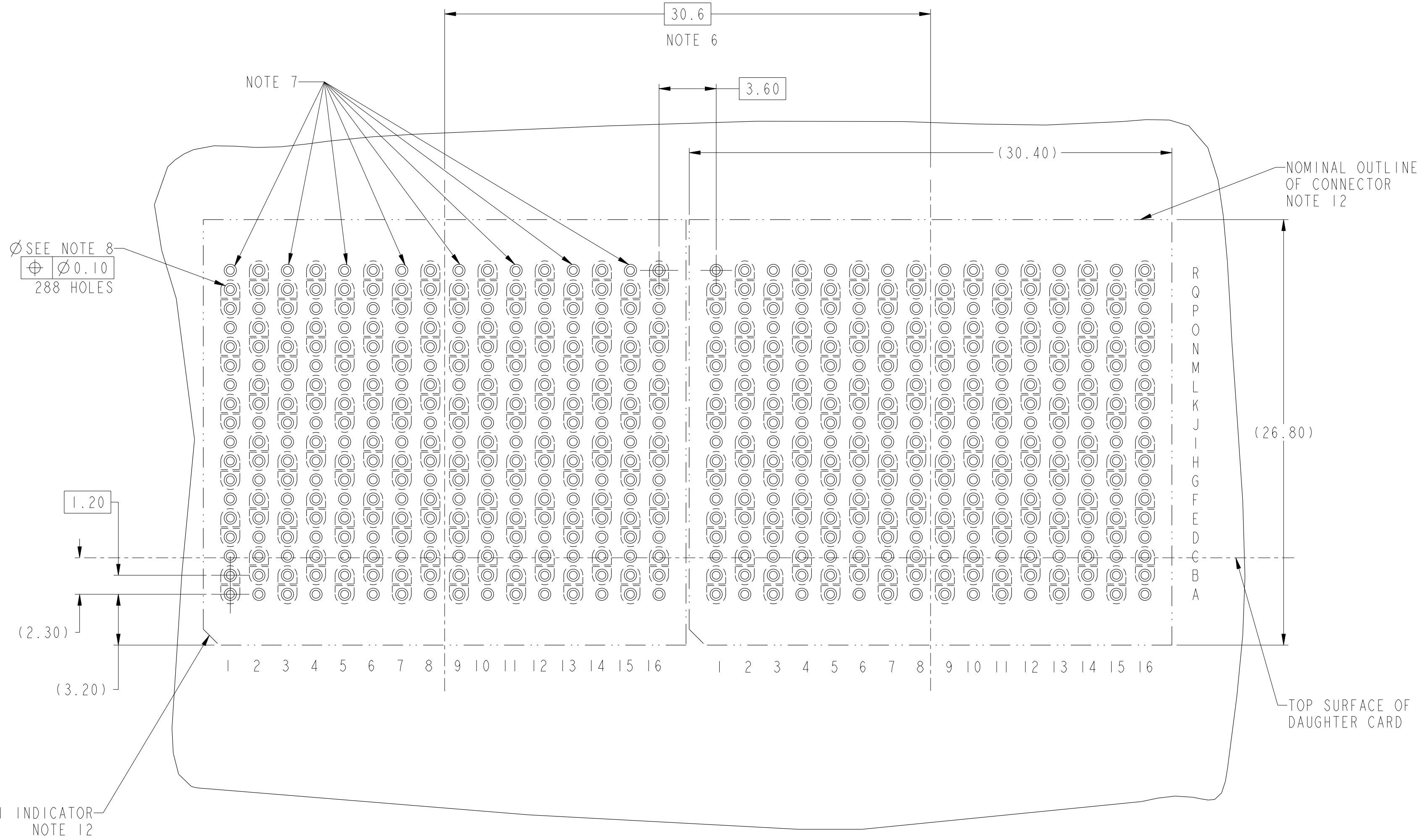
POS A1 INDICATOR  
NOTE 12



rev	ecn no	dr	date
A	S10-0019	YK	2010-01-22
-	-	-	-
-	-	-	-
-	-	-	-
-	-	-	-
-	-	-	-

www.fciconnect.com		surface ASME Y14.5	tolerance std ASME Y14.5	projection	MM
		TOLERANCES UNLESS OTHERWISE SPECIFIED			
Dr	Y. K. LIM	2009-12-08	ANGULAR	0.x	±
Eng	Y. K. LIM	2010-01-22	LINEAR	0.xx	±
Chr	Y. K. LIM	2010-01-22	0° ±°	0.xxx	±
Appr	JOEY NG	2010-01-22	Product family		ZipLine
		Spec ref		S10-0019	
			title ZipLine VERT HEADER ASSY 6 PR, 16 IMLA, 1.8mm PITCH, 30.6mm		Rev. A
catalog no		CUSTOMER		sheet 1 of 3	

Copyright FCI.  
FCJ



RECOMMENDED PCB LAYOUT  
 FOR DIFFERENTIAL APPLICATIONS,  
 COMPONENT SIDE  
 (TWO ADJACENT FOOTPRINTS SHOWN)  
 NOTE 8

POS AI INDICATOR  
 NOTE 12

Ø SEE NOTE 8  
 Ø 0.10  
 288 HOLES

NOMINAL OUTLINE  
 OF CONNECTOR  
 NOTE 12

TOP SURFACE OF  
 DAUGHTER CARD

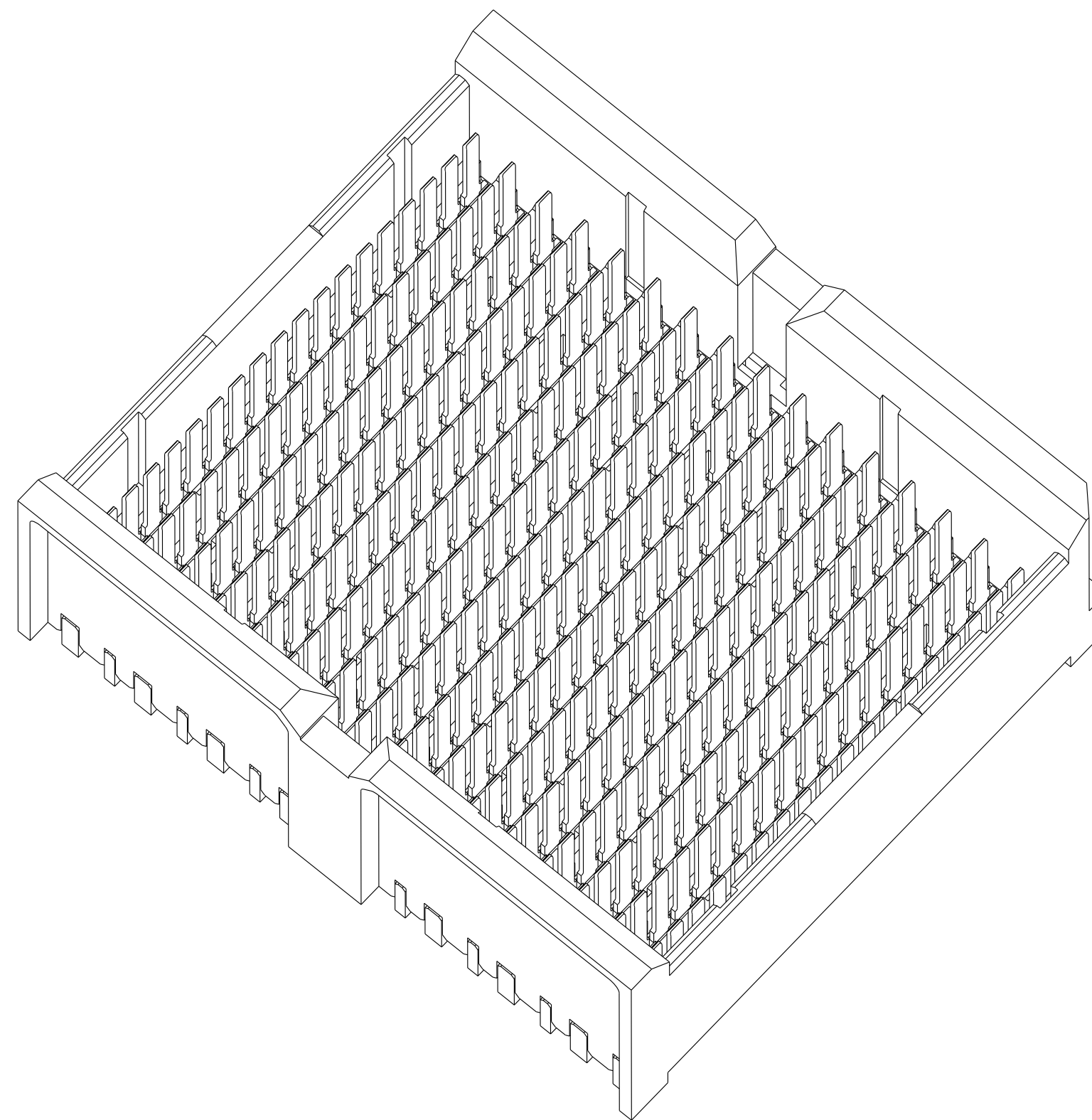
Copyright FCI.  
**FCI**

<b>FCI</b>	title	ZipLine VERT HEADER ASSY	dwg no	10110668	Rev.	A
	catalog no	6 PR, 16 IMLA, 1.8mm PITCH, 30.6mm				
	CUSTOMER		sheet 2 of 3			

PART NUMBER	PRESS-FIT TAIL PLATING TYPE
10110668-101	TIN LEAD ALLOY OVER NICKEL
10110668-101LF	TIN OVER NICKEL (LEAD FREE)

NOTES:

1. CONNECTOR MATERIALS:  
HOUSING: HIGH TEMP THERMOPLASTIC, BLACK, UL94V-0  
IMLA PLASTIC: HIGH TEMP THERMOPLASTIC, BLACK, UL94V-0  
CONTACT: COPPER ALLOY
2. CONTACT PLATING:  
SEPARABLE INTERFACE: PERFORMANCE-BASED PLATING, QUALIFIED TO MEET THE REQUIREMENTS OF FCI PRODUCT SPECIFICATION GS-12-452 INCLUDING TELCORDIA GR-1217-CORE (NOVEMBER 1995) CENTRAL OFFICE TEST SEQUENCE  
PRESS-FIT TAILS: SEE TABLE
3. PRODUCT SPECIFICATION: GS-12-452.
4. APPLICATION SPECIFICATION: GS-20-094.
5. PRODUCT MARKING, (PART NUMBER & LOT CODE), ON THESE SURFACES.
6. THE MINIMUM CENTERLINE SPACING BETWEEN ADJACENT MODULES IS 30.6mm.
7. THERE IS NO GROUND BUSSING WITHIN THE HEADER CONNECTOR. HOWEVER, POSITIONS R1, R3, R5, R7, R9, R11, R13 & R15 OF THE MATING RECEPTACLE ARE BUSSED. THESE MUST BE ASSIGNED AS GROUNDS.
8. REFER TO CUSTOMER DRAWING 10045979 FOR INFORMATION ON PCB HOLE DIAMETERS AND PLATING OPTIONS.
9. THIS PRODUCT MEETS EUROPEAN UNION DIRECTIVES AND OTHER COUNTRY REGULATIONS AS DESCRIBED IN GS-22-008.
10. THE HOUSING WILL WITHSTAND EXPOSURE TO 260°C PEAK TEMPERATURE FOR 40 SECONDS IN A CONVECTION, INFRA-RED OR VAPOR PHASE REFLOW OVEN.
11. PACKAGING MEETS GS-14-920 LEAD FREE LABELING SPECIFICATION.
12. CONNECTOR OUTLINE WITH HOUSING POS A1 INDICATOR MAY BE SCREEN PRINTED ONTO CUSTOMER PCB TO BE USED AS A GUIDE FOR MANUAL CONNECTOR PLACEMENT.



10110668-101

FCJ	title	ZipLine VERT HEADER ASSY	dwg no	10110668	Rev.	A
	catalog no	6 PR, 16 IMLA, 1.8mm PITCH, 30.6mm	CUSTOMER	sheet 3 of 3		