

GP1A52LR

OPIC Photointerrupter

■ Features

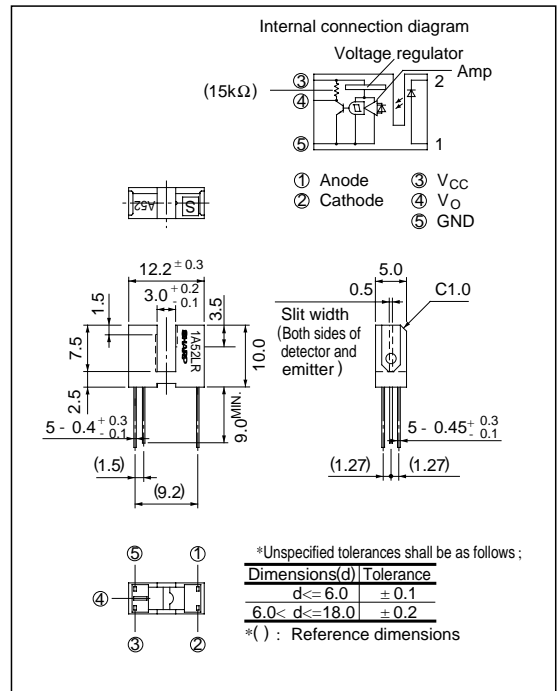
1. Output inverting type of **GP1A52HR**
2. High sensing accuracy (Slit width: 0.5mm)
3. TTL and CMOS compatible output
4. PWB mounting type

■ Applications

1. OA equipment, such as printers, floppy disk drives, etc.
2. VCRs

■ Outline Dimensions

(Unit : mm)



*** OPIC™ (Optical IC) is a trademark of the SHARP Corporation.
An OPIC consists of a light-detecting element and signal-processing circuit integrated onto a single chip.

■ Absolute Maximum Ratings

(Ta = 25°C)

Parameter		Symbol	Rating	Unit
Input	Forward current	I _F	50	mA
	*1 Peak forward current	I _{FM}	1	A
	Reverse voltage	V _R	6	V
	Power dissipation	P	75	mW
Output	Supply voltage	V _{CC}	- 0.5 to + 17	V
	Low level output current	I _{OL}	50	mA
	Power dissipation	P _O	250	W
Operating temperature		T _{opr}	- 25 to + 85	°C
Storage temperature		T _{stg}	- 40 to + 100	°C
*2 Soldering temperature		T _{sol}	260	°C

*1 Pulse width ≤ 100μs, Duty ratio = 0.01

*2 For 5 seconds

Electro-optical Characteristics

(Ta = 25°C)

Parameter		Symbol	Conditions	MIN.	TYP.	MAX.	Unit	
Input	Forward voltage	V_F	$I_F = 5\text{mA}$	-	1.1	1.4	V	
	Reverse current	I_R	$V_R = 3\text{V}$	-	-	10.0	μA	
Output	Operating supply voltage	V_{CC}		4.5	-	17.0	V	
	Low level output voltage	V_{OL}	$V_{CC} = 5\text{V}, I_F = 5\text{mA}, I_{OL} = 16\text{mA}$	-	0.15	0.4	V	
	High level output voltage	V_{OH}	$V_{CC} = 5\text{V}, I_F = 0\text{mA}$	4.9	-	-	V	
	Low level supply current	I_{CCL}	$V_{CC} = 5\text{V}, I_F = 5\text{mA}$	-	1.7	3.8	mA	
	High level supply current	I_{CCH}	$V_{CC} = 5\text{V}, I_F = 0\text{mA}$	-	0.7	2.2	mA	
	Transfer characteristics	^{*3} “High→Low” threshold input current	I_{FHL}	$V_{CC} = 5\text{V}$	-	1.0	5.0	mA
^{*4} Hysteresis		I_{FLH} / I_{FHL}	$V_{CC} = 5\text{V}$	0.55	0.75	0.95		
Response time		“High→Low” propagation delay time	t_{PHL}	$V_{CC} = 5\text{V}, I_F = 5\text{mA}$ $R_L = 280\Omega$	-	3.0	9.0	μs
		“Low→High” propagation delay time	t_{PLH}		-	5.0	15.0	
		Rise time	t_r		-	0.1	0.5	
	Fall time	t_f	-		0.05	0.5		

*3 I_{FHL} represents forward current when output changes from high to low.

*4 I_{FLH} represents forward current when output changes from low to high.

Hysteresis stands for I_{FLH} / I_{FHL} .

Recommended Operating Conditions

Parameter	Symbol	Operating temp.	MIN.	MAX.	Unit
Low level output current	I_{OL}	Ta = 0 to + 70°C	-	16.0	mA
Forward current	I_F		10.0	20.0	mA

Fig. 1 Forward Current vs. Ambient Temperature

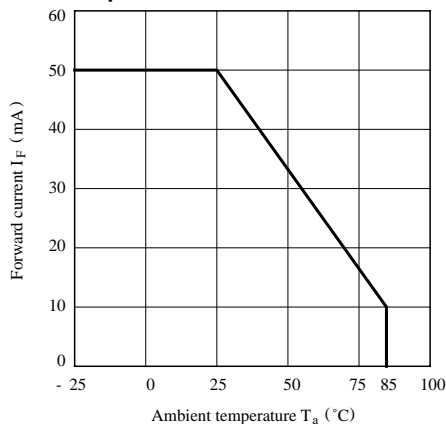


Fig. 2 Output Power Dissipation vs. Ambient Temperature

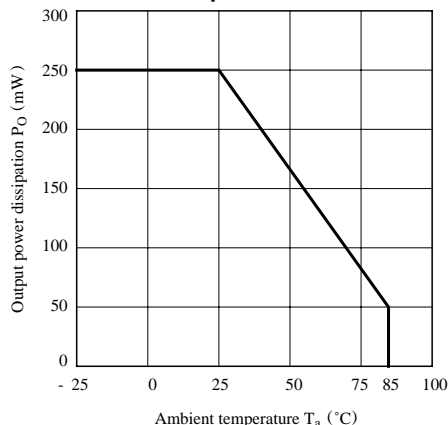


Fig. 3 Low Level Output Current vs. Ambient Temperature

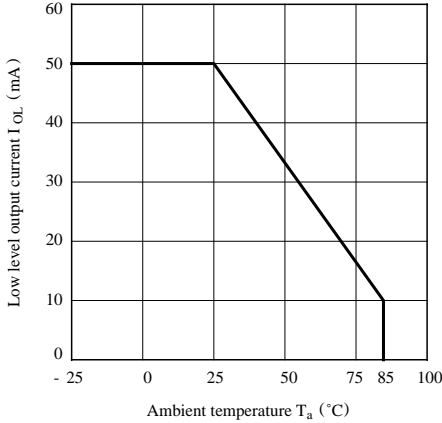


Fig. 4 Forward Current vs. Forward Voltage

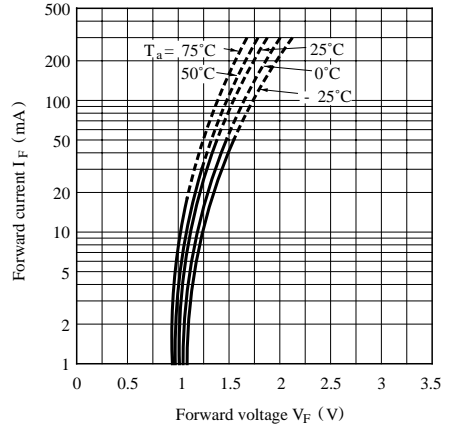


Fig. 5 Relative Threshold Input Current vs. Supply Voltage

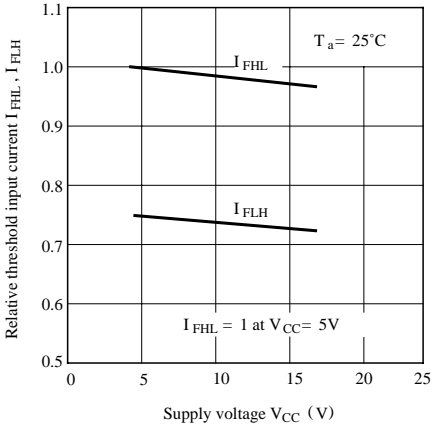


Fig. 6 Relative Threshold Input Current vs. Ambient Temperature

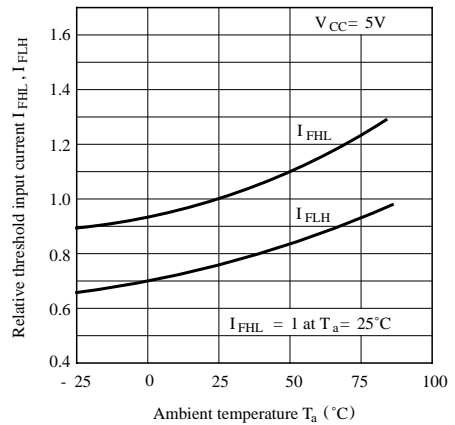


Fig. 7 Low Level Output Voltage vs. Low Level Output Current

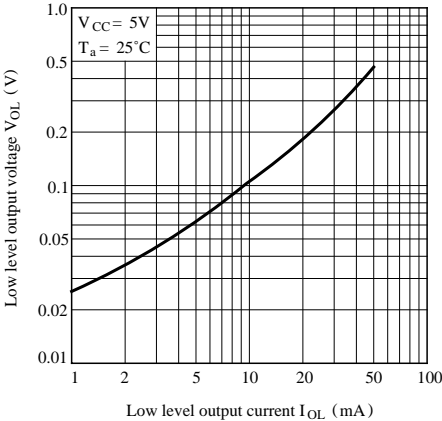


Fig. 8 Low Level Output Voltage vs. Ambient Temperature

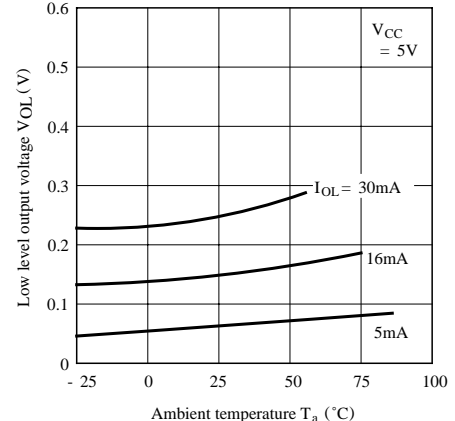


Fig. 9 Supply Current vs. Ambient Temperature

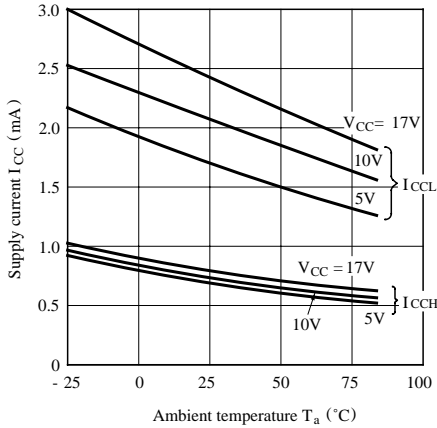


Fig.10 Propagation Delay Time vs. Forward Current

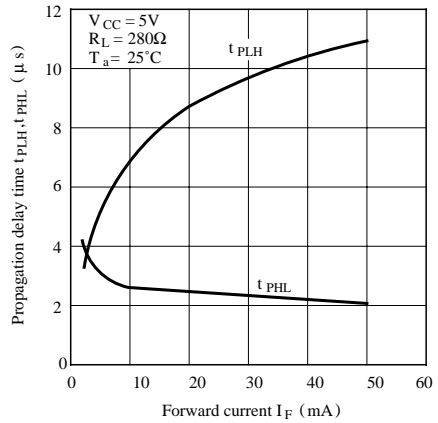
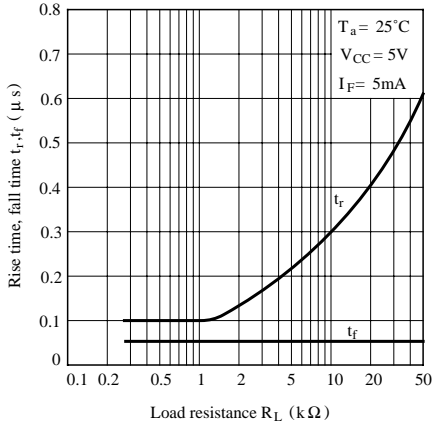
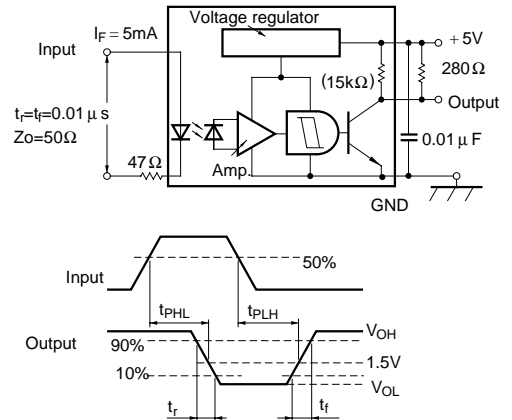


Fig.11 Rise Time, Fall Time vs. Load Resistance



Test Circuit for Response Time



■ Precautions for Use

- (1) In case of cleaning, use only the following type of cleaning solvent.
Ethyl alcohol, Methyl alcohol, Isopropyl alcohol
- (2) In order to stabilize power supply line, connect a by-pass capacitor of more than 0.01 µF between Vcc and GND near the device.
- (3) As for other general cautions refer to the chapter “Precautions for Use”.

NOTICE

- The circuit application examples in this publication are provided to explain representative applications of SHARP devices and are not intended to guarantee any circuit design or license any intellectual property rights. SHARP takes no responsibility for any problems related to any intellectual property right of a third party resulting from the use of SHARP's devices.
- Contact SHARP in order to obtain the latest device specification sheets before using any SHARP device. SHARP reserves the right to make changes in the specifications, characteristics, data, materials, structure, and other contents described herein at any time without notice in order to improve design or reliability. Manufacturing locations are also subject to change without notice.
- Observe the following points when using any devices in this publication. SHARP takes no responsibility for damage caused by improper use of the devices which does not meet the conditions and absolute maximum ratings to be used specified in the relevant specification sheet nor meet the following conditions:
 - (i) The devices in this publication are designed for use in general electronic equipment designs such as:
 - Personal computers
 - Office automation equipment
 - Telecommunication equipment [terminal]
 - Test and measurement equipment
 - Industrial control
 - Audio visual equipment
 - Consumer electronics
 - (ii) Measures such as fail-safe function and redundant design should be taken to ensure reliability and safety when SHARP devices are used for or in connection with equipment that requires higher reliability such as:
 - Transportation control and safety equipment (i.e., aircraft, trains, automobiles, etc.)
 - Traffic signals
 - Gas leakage sensor breakers
 - Alarm equipment
 - Various safety devices, etc.
 - (iii) SHARP devices shall not be used for or in connection with equipment that requires an extremely high level of reliability and safety such as:
 - Space applications
 - Telecommunication equipment [trunk lines]
 - Nuclear power control equipment
 - Medical and other life support equipment (e.g., scuba).
- Contact a SHARP representative in advance when intending to use SHARP devices for any "specific" applications other than those recommended by SHARP or when it is unclear which category mentioned above controls the intended use.
- If the SHARP devices listed in this publication fall within the scope of strategic products described in the Foreign Exchange and Foreign Trade Control Law of Japan, it is necessary to obtain approval to export such SHARP devices.
- This publication is the proprietary product of SHARP and is copyrighted, with all rights reserved. Under the copyright laws, no part of this publication may be reproduced or transmitted in any form or by any means, electronic or mechanical, for any purpose, in whole or in part, without the express written permission of SHARP. Express written permission is also required before any use of this publication may be made by a third party.
- Contact and consult with a SHARP representative if there are any questions about the contents of this publication.