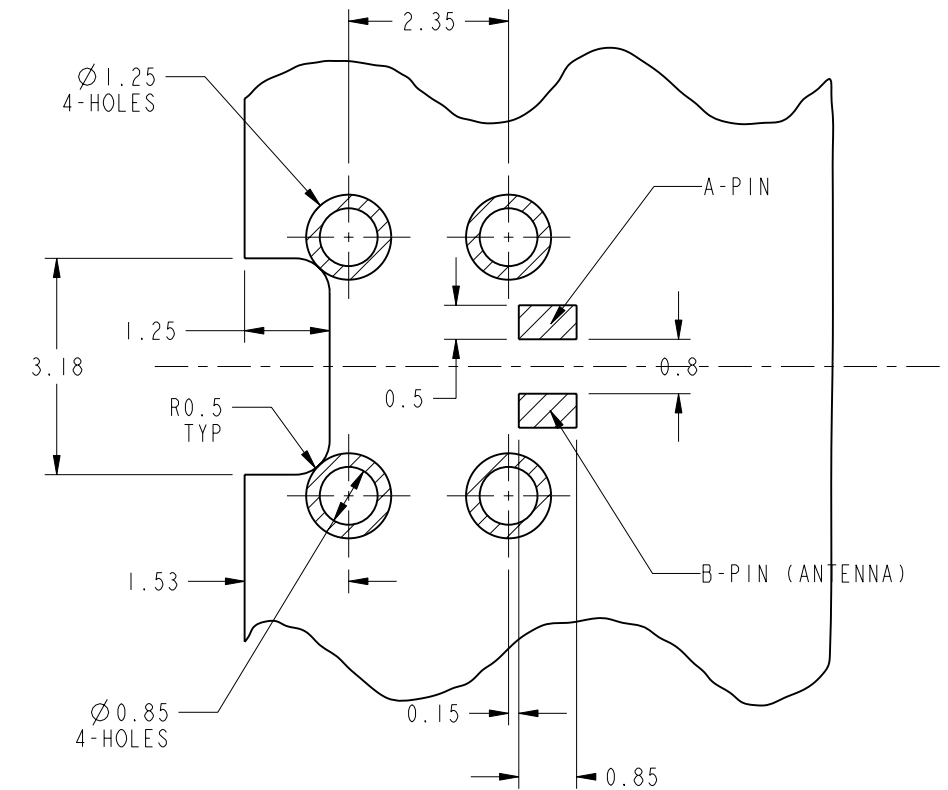
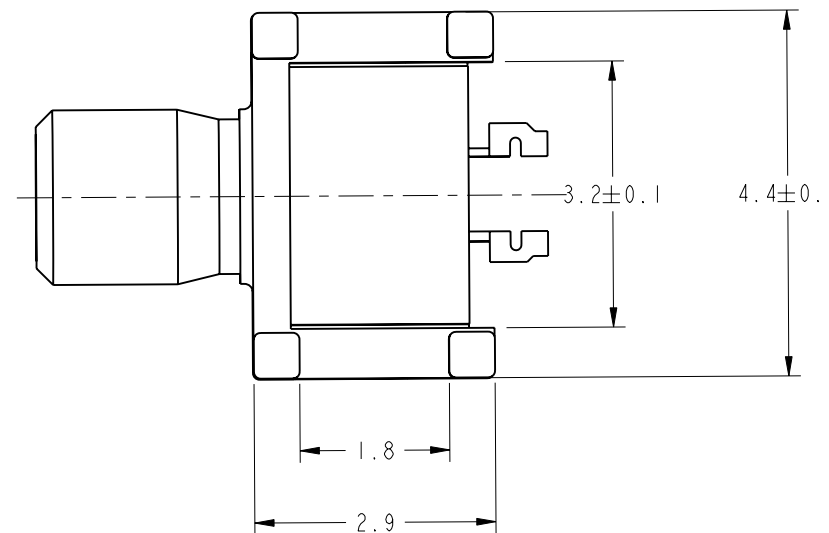
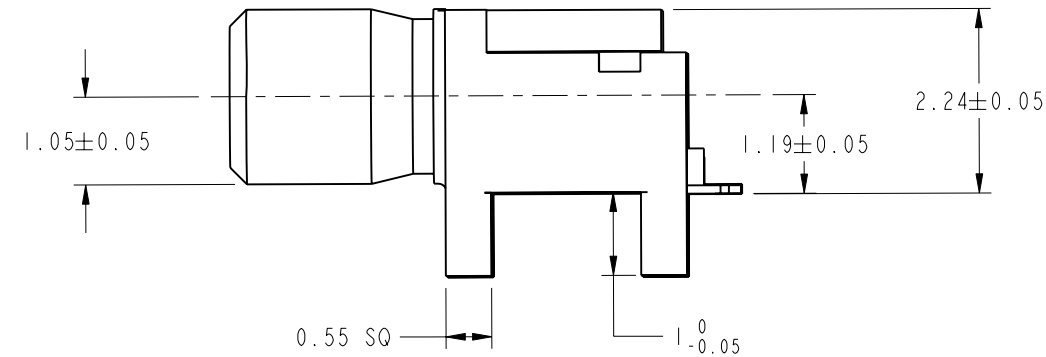
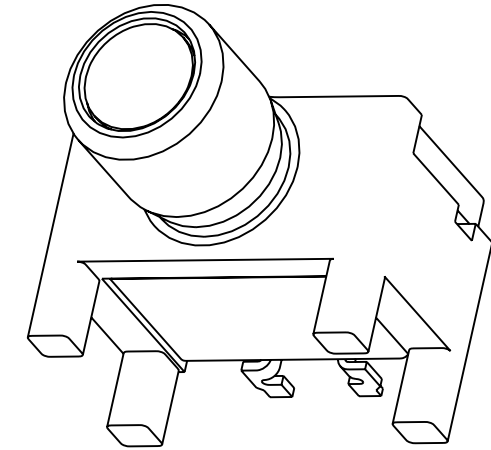
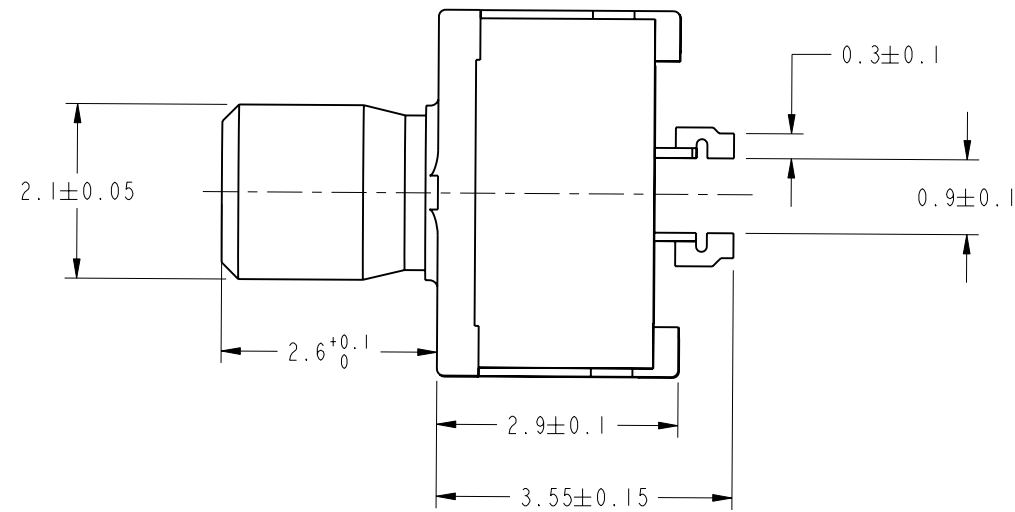


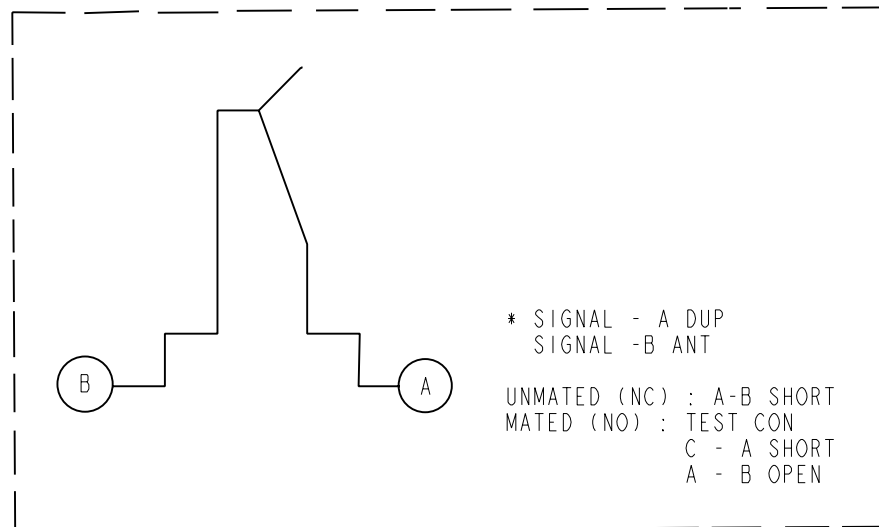
NOTES:

- MATERIALS AND FINISHES:
 SHELL : BRASS(C3604), PLATING-Ni 1~5 μm + Au 0.03 μm MIN
 A-PIN(Moving) : BeCu(C1720R-1/2HM), PLATING-Ni 1~5 μm + Au 0.2 μm MIN
 B-PIN(Fixed) : PHOSPHORUS BRONZE(C5210R-1/2H), PLATING-Ni 1~5 μm + Au 0.2 μm MIN
 MOLD : PA9T
- ELECTRICAL:
 A. IMPEDANCE : 50 OHM
 B. FREQUENCY RANGE : DC - 3 GHz
 C. VSWR : 1.6 MAX.
 D. DIELECTRIC WITHSTANDING VOLTAGE : 1 MIN. AC 100V VRMS
- MECHANICAL:
 A. DURABILITY : 5000 CYCLES MIN
 B. TEMPERATURE RANGE: -35°C TO +85°C
- PACKAGING:
 TAPE AND REEL

| | | | | | |
|-------------------|-----|-----------------|---------|-------|------|
| 902-9046 | | REVISIONS | | | |
| DRAWING NO. | REV | DESCRIPTION | DATE | ECO | APPR |
| THIRD ANGLE PROJ. | A | RELEASE TO MFG. | 9/23/08 | 47292 | JL |



- NOTES -
 1. COPLANARITY : MAX. 0.1
 2. RF SWITCH CIRCUIT DIAGRAM:



METRIC DRAWING

CUSTOMER OUTLINE DRAWING
 ALL OTHER SHEETS ARE FOR INTERNAL USE ONLY

| | | | | | | | |
|---|-------------------------|---------------------------------|-------------------|------------------------------|---------------|--|----------------------------|
| UNLESS OTHERWISE SPECIFIED, DIMENSIONS ARE IN INCHES AND TOLERANCES ARE: 2 PLACE DECIMAL ±.015 (0,381 mm) 3 PLACE DECIMAL ±.005 (0,127 mm) ANGLES ± 1° | MATERIAL | DRAWN JIA YONG LI | DATE 18-Sep-08 | TITLE RF SWITCH CONNECTOR | | Amphenol Amphenol Corporation Communication and Network Products Division Danbury, CT U.S.A. 06810 | |
| | REFERENCE EAR # 3161 | ENGINEER JIA YONG LI | DATE 18-Sep-08 | | | | |
| NOTICE - These drawings, specifications, or other data (1) are, and remain the property of Amphenol Corp. (2) must be returned upon request; and (3) are confidential and not to be disclosed to any person other than those to whom they are given by Amphenol Corp. The furnishing of these drawings, specifications, or other data by Amphenol Corp., or to any other person to anyone for any purpose is not to be regarded by implication or otherwise in any manner licensing, granting rights or permitting such holder or any other person to manufacture, use or sell any product, process or design, patented or otherwise, that may in any way be related to or disclosed by said drawings, specifications, or other data. | | APPROVED K. CAPOZZI | DATE 9/22/08 | CODE ID 74868 | DWG SIZE B | DRAWING NO. 902-9046 | SCALE: 11.0:1 SHEET 2 OF 3 |
| | | CAD FILE I:/SWITCH/ 902-9046 | | | | | REV A |