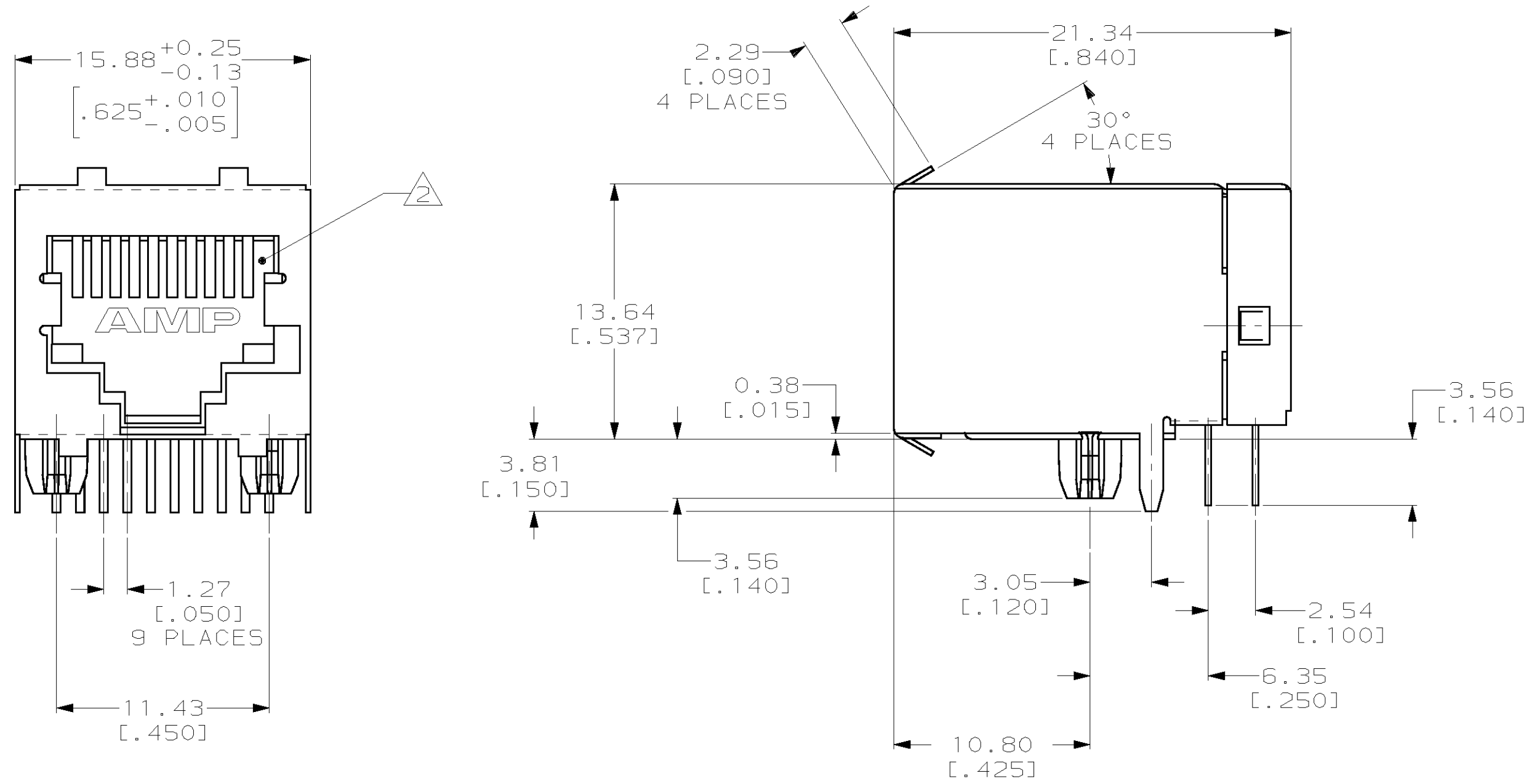
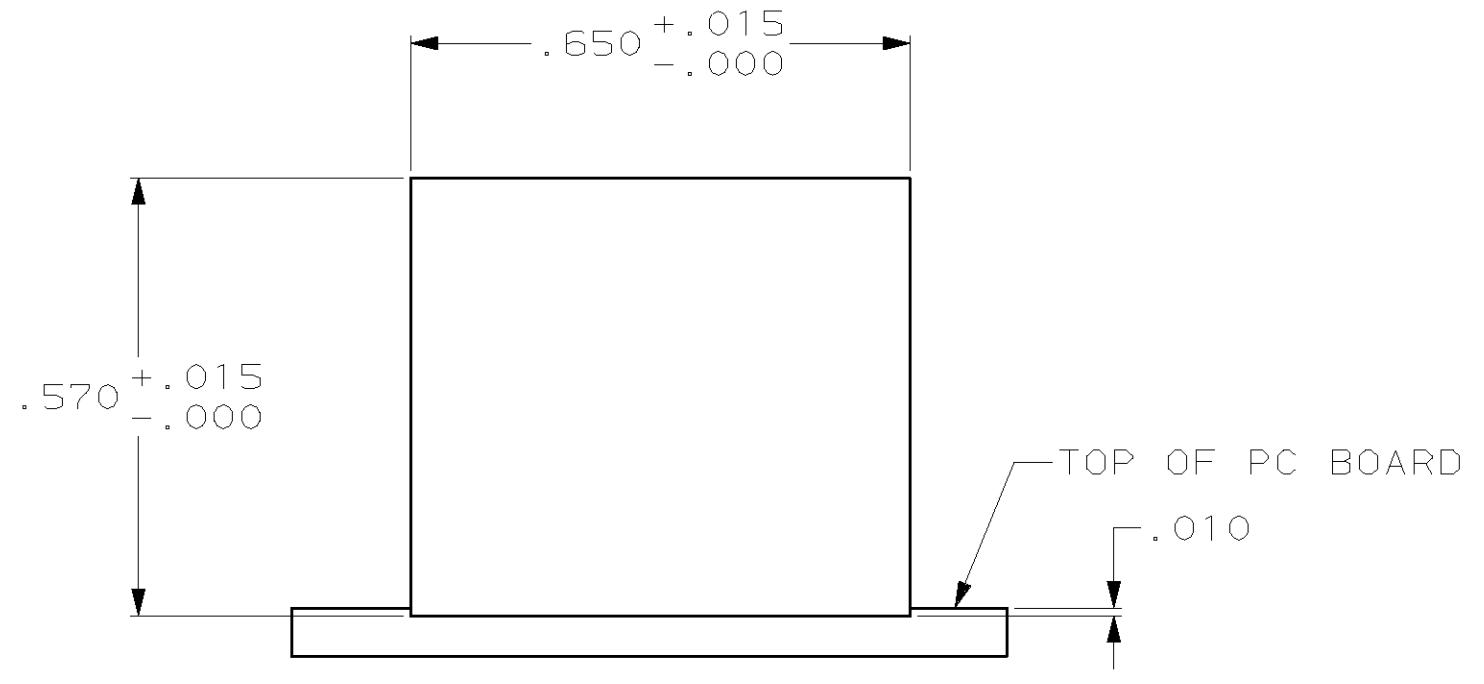
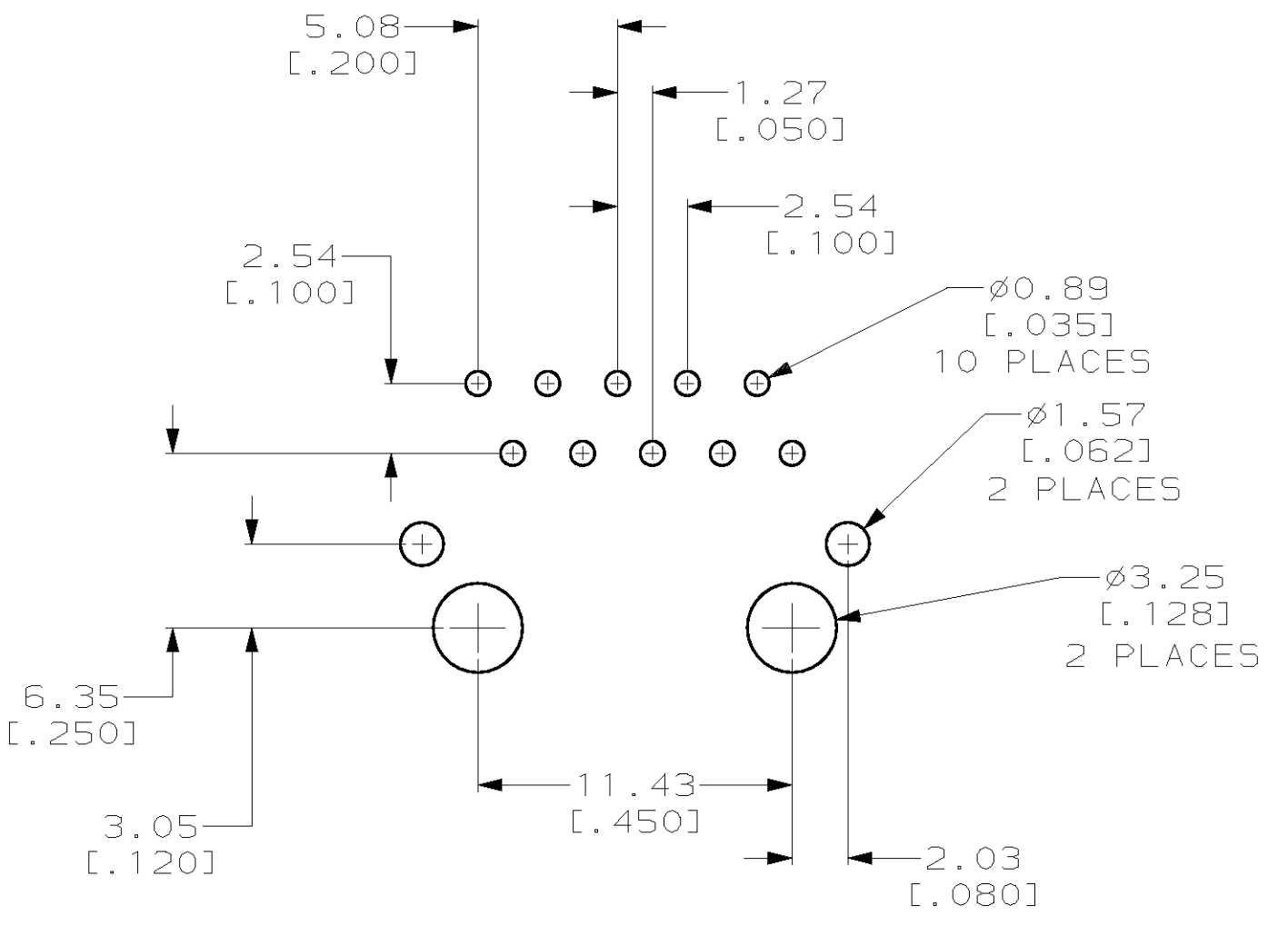


THIS DRAWING IS UNPUBLISHED. RELEASED FOR PUBLICATION .19
 (C) COPYRIGHT 19 BY AMP INCORPORATED. ALL RIGHTS RESERVED.

LOC		DIST		REVISIONS			
P	LTR	DESCRIPTION	DATE	DWN	APVD		
AA	22	B	REV; EC 067A-0191-98	29JAN99	DLD	CMB	



1. MATERIALS:
 HOUSING - PCT POLYESTER, BLACK, IR REFLOW COMPATIBLE, UL 94V-0.
 TERMINALS 0.33 [.013] THICK PH05 BRONZE PLATED WITH 1.27μm [.000050] HARD GOLD IN LOCALIZED AREA AND 3.81μm [.000150] THICK TIN-LEAD IN SOLDER AREA OVER 1.27μm [.000050] MINIMUM THICK NICKEL UNDERPLATE.
 SHIELD - 0.25 [.010] THICK COPPER ALLOY PLATED WITH 2.03μm [.000080] MINIMUM TIN-LEAD OVER 2.54μm [.000100] MINIMUM COPPER.
2. JACK CAVITY CONFORMS TO FCC RULES AND REGULATIONS, PART 68 SUBPART F.
3. DIMENSIONS ARE NOMINAL UNLESS OTHERWISE SPECIFIED.



SUGGESTED PC BOARD LAYOUT
 VIEW SHOWN IS TOP (COMPONENT SIDE) OF PC BOARD

SUGGESTED PANEL CUTOUT

558070-1
 PART NUMBER

THIS DRAWING IS A CONTROLLED DOCUMENT FOR AMP INCORPORATED. IF IS SUBJECT TO CHANGE AND THE CONTROLLING ENGINEERING ORGANIZATION SHOULD BE CONTACTED FOR THE LATEST REVISION.		DWN S. MAYBERRY 21-JUL-93	AMP Incorporated Harrisburg, PA 17105-3608
DIMENSIONS: mm [INCHES]		CHK B. FOX 03-AUG-93	
TOLERANCES UNLESS OTHERWISE SPECIFIED:		APVD G. REED 03-AUG-93	NAME MODULAR JACK ASSEMBLY, 10 POSITION SIDE ENTRY, LOW PROFILE, FULLY SHIELDED, PANEL GROUND
0 PLC ±-		PRODUCT SPEC 108-1163	
1 PLC ±-		APPLICATION SPEC 114-2048	SIZE A2
2 PLC ±0.25 [.01]		WEIGHT -	CAGE CODE 00779
3 PLC ±0.13 [.005]		DRAWING NO. C-558070	SCALE 4:1
4 PLC ±-			
ANGLES ±-		CUSTOMER DRAWING	SHEET 1 OF 1
FINISH			REV B