

THIS DRAWING IS UNPUBLISHED.

RELEASED FOR PUBLICATION

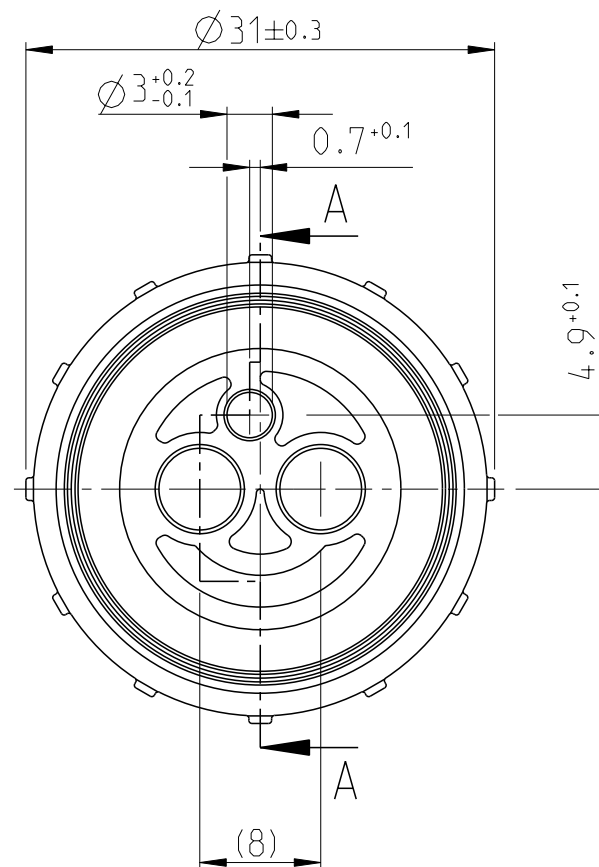
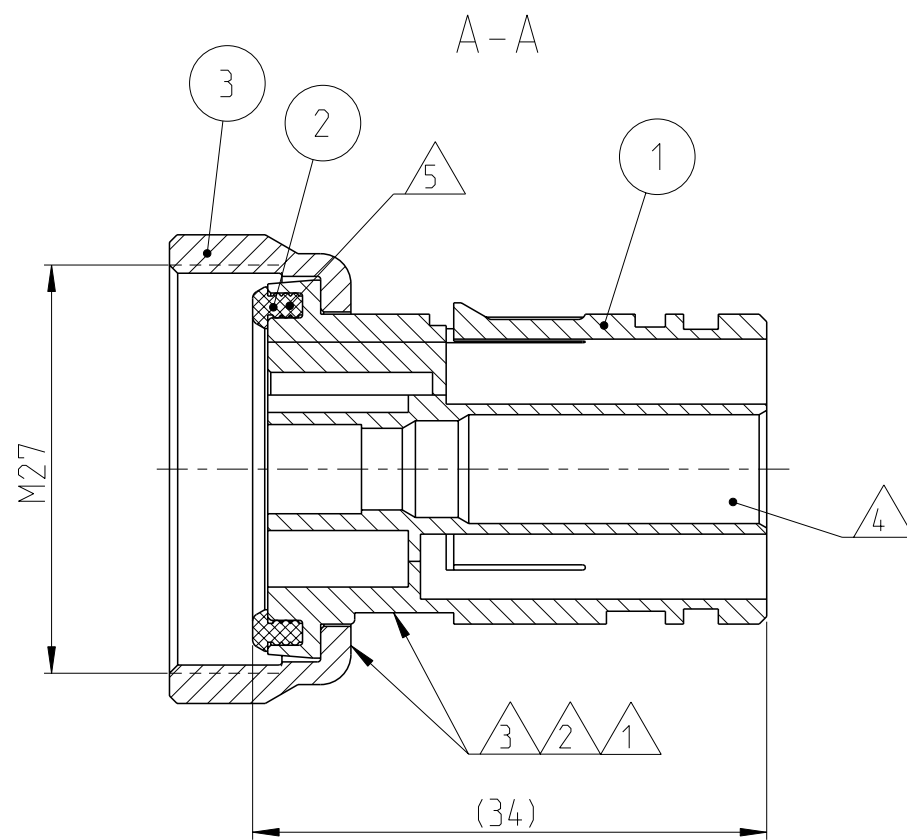
© COPYRIGHT 19-

ALL RIGHTS RESERVED.

LOC FM DIST 1

REVISIONS

P	LTR	DESCRIPTION	DATE	DWN	APVD
C		EH-0589-96	22MAY1996	JZ	JJ
D		EH-0848-96	22JUL1996	DK	JJ
D1		ECR-11-019959	02NOV2011	GN	GB



NOTES:

- 1 TRADEMARK PER SPEC. 115-19030-3
- 2 TE-IDENTIFICATION NUMBER ACC. DIN 1451 MITTLESCHR. HEIGHT 1.2
- 3 TE-MOLD IDENTIFICATION NUMBER
- 4 CAVITY FOR;
  - 1. 4mm. SOCKET CONTACT WIRE SIZE 0.5-4mm<sup>2</sup> SEE DRAWING NR.962952-1 NR.962954-1 NR.962956-1
  - 2. SCAT SEE DRAWING NR.963243-1 NR.963244-1
- 5 SEAL BONDED IN INSERT.

-1 AS SHOWN  
-2 WITHOUT NUT 100295-1

MATERIAL	DESCRIPTION	PART NO	ITEM
PBT	NUT M27	100295-1	3
SILICON RUBBER	SEALING RING	100293-1	2
PBT	2-POS. HOUSING	100288-1	1

THIS DRAWING IS A CONTROLLED DOCUMENT.		DWN J.V.LIEMPT 10FEB1992	TE Connectivity		
DIMENSIONS: mm		CHK R.O.T.BERG			
TOLERANCES UNLESS OTHERWISE SPECIFIED:		APVD L.V.SOEST	NAME ASSY 2 POS. HOUSING FOR 4mm. SOCKET CONTACT M27 VERSION		
0 PLC ±- 1 PLC ±0.2 2 PLC ±0.02 3 PLC ±0.005 4 PLC ±- ANGLES ±1°		PRODUCT SPEC -			
MATERIAL -		FINISH -	APPLICATION SPEC -	RESTRICTED TO -	
		WEIGHT -	SIZE A3	CAGE CODE 00779	DRAWING NO ©=100284
CUSTOMER DRAWING			SCALE 2:1	SHEET 1 OF 1	REV D1