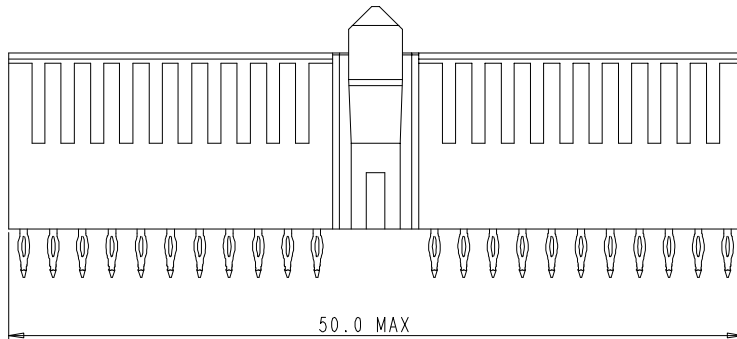
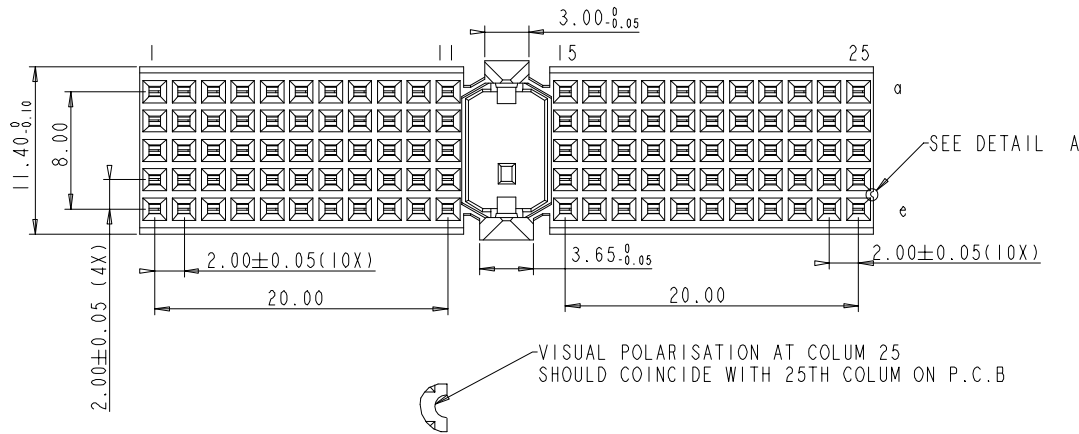


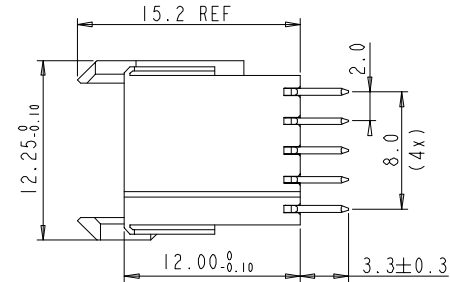
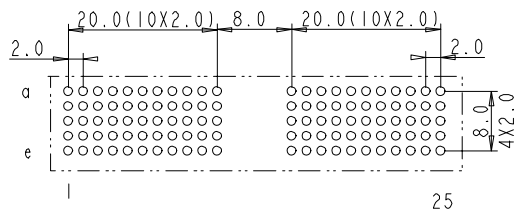
Tous droits strictement reserves. Reproduction ou communication a des tiers interdite sous quelque forme que ce soit sans autorisation écrite du propriétaire. Propriete de c FCI. Droits de reproduction FCI.



All rights strictly reserved. Reproduction or issue to third parties in any form whatever is not permitted without written authority from the proprietor. Property of FCI. Copyright FCI.



LAY OUT
P.C.B - HOLE
(FRONT SIDE)



PERFORMANCE CHARACTERISTICS

- CURRENT RATING 1.5A AT 20°C (FULLY LOADED)
- 1 A AT 70°C (FULLY LOADED)
- RATED VOLTAGE : 500 V AC (CONT /CONT)
- OPERATING TEMPERATURE : -55°C TO 125°C
- CONTACT RESISTANCE 20 MΩ MAX
- INSERTION FORCE : 0.75N MAX/CONT
- EXTRACTION FORCE : 0.15N MIN/CONT
- INSULATION RESISTANCE : 10⁴ MΩ MIN

NOTES

LHM2S10PE5100 LEAD FREE INDICATOR : LF=LEAD FREE(DIGIT 15&16)
PLATING CODE(DIGIT 13&14)

Plating code	Plating	Performance Level
AA	0.75µm Au	IEC performance level 2(250mating cycles)orTELCORDIA CO)
AB	1.25µm Au	TELCORDIA UE

- THIS PRODUCT IS CSA APPROVED.
- THIS PRODUCT IS UL RECOGNIZED.
- FOR RECOMMENDED PTH DIMENSIONS REFER DRAWING :BS.A.201572.001
- THIS PRODUCT (LF) MEETS EUROPEAN UNION DIRECTIVES AND OTHER COUNTRY REGULATIONS AS DESCRIBED IN GS-22-008

rev	ecn no	dr	date
A	DG09-0243	NZ	Jul-20-2009
B	DG10-0093	NZ	Mar-08-2010
C	DG10-0110	NZ	Jun-08-2010
-	-	-	-
-	-	-	-
-	-	-	-
-	-	-	-

Material		Spec ref	
Mat code		tolerance	projection
Heatreat		✓	⊕ ⊖
Plating/Finish		1DEC±0.2 1DEC 2DEC±0.1 2DEC ANGLE±1° HOEKEN	← MM →
Dr	Nickor Zuo	Jul-20-09	size A4
Eng	Nickor Zuo	Jul-20-09	Scale 2.000
Chr	PeiMing Zheng	Jul-20-09	Product family MILLIPACS
Appr	Joseph Hsia	Jul-20-09	Model Name
			Model Revision
			REL Level
FCI	title	MILLIPICS 2/TYPE A (W/O LOC.PEG)/NO SHIELDING	dwg no BSC201418018
Pro/E file	catalog no	HM2S10PE5100----	Rev. C
		CUSTOMER DRAWING	sheet 1 of 1