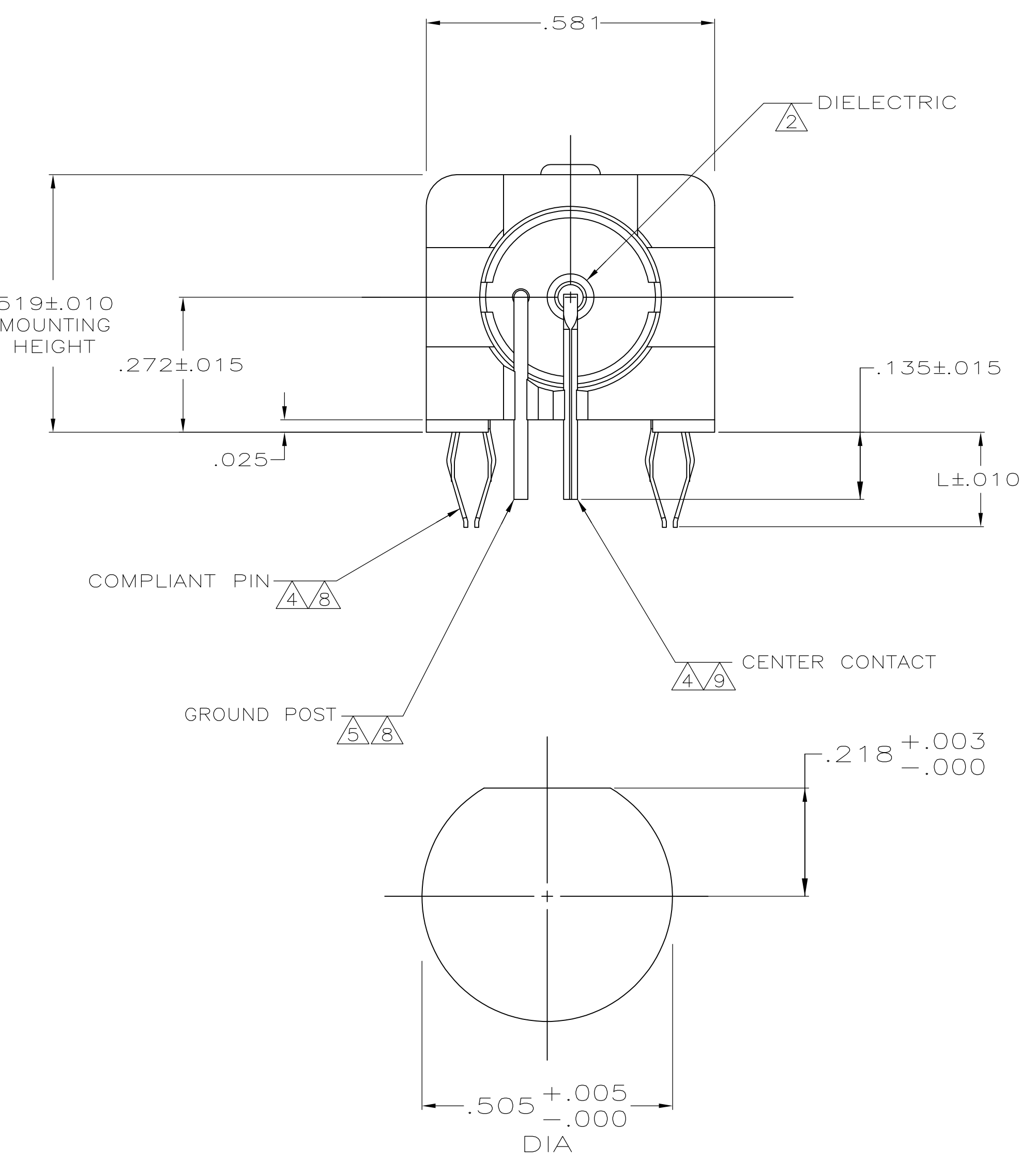
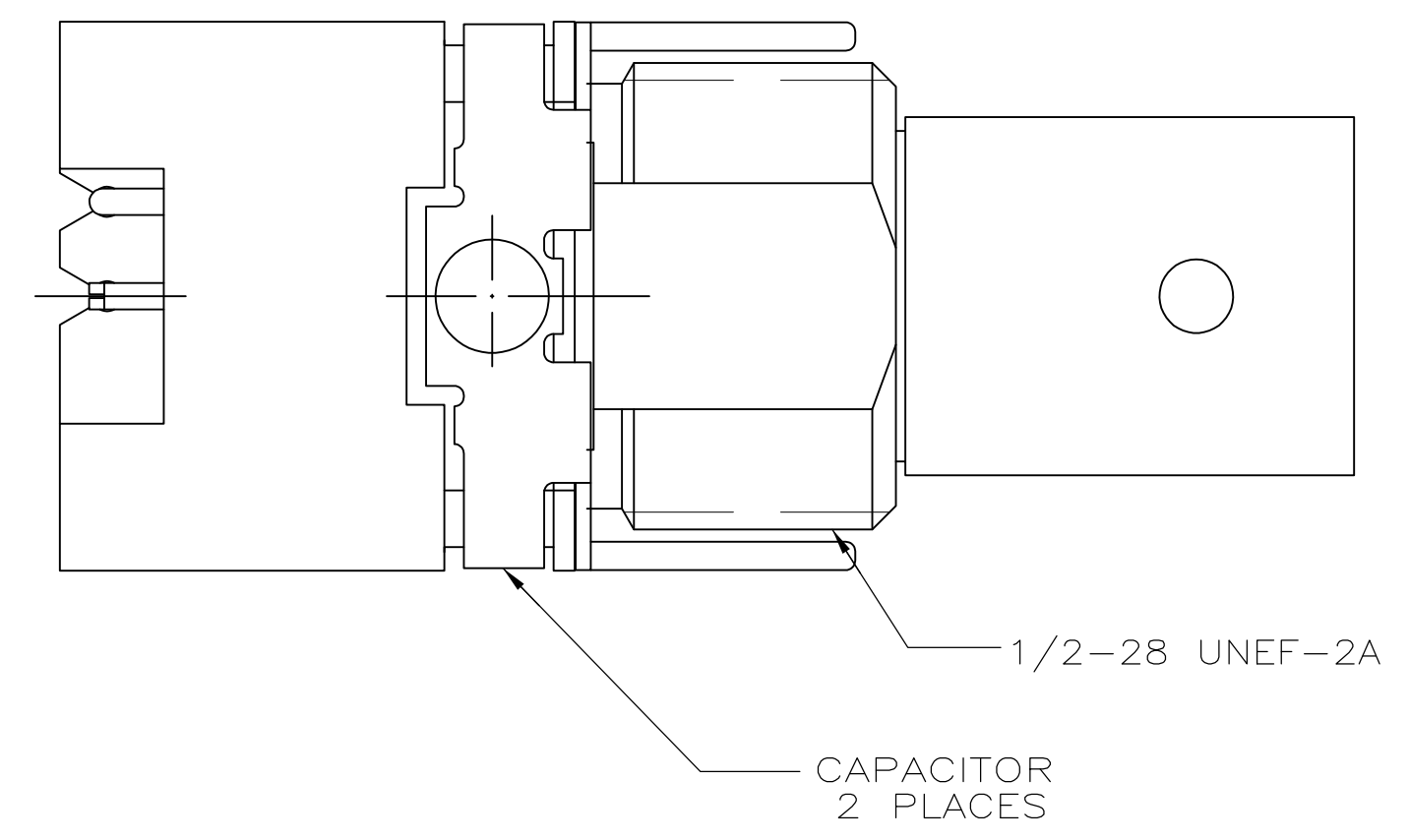


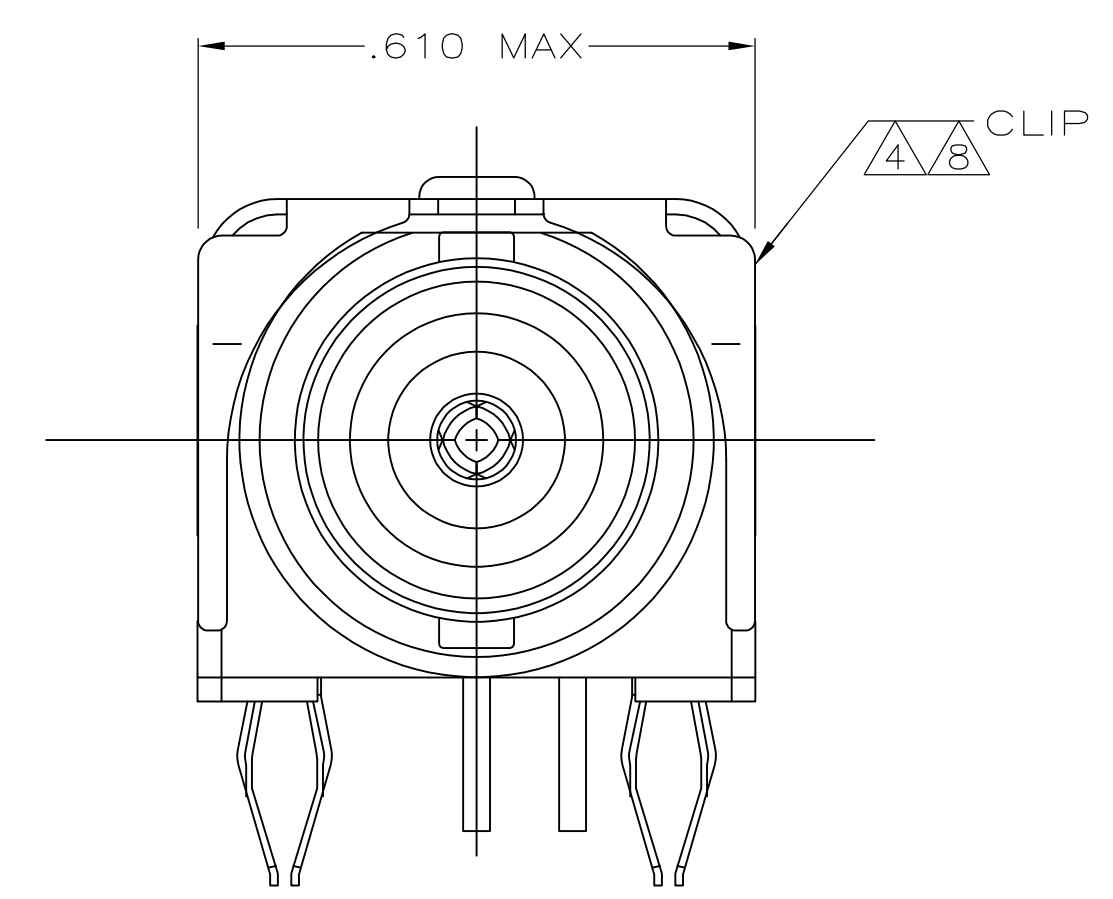
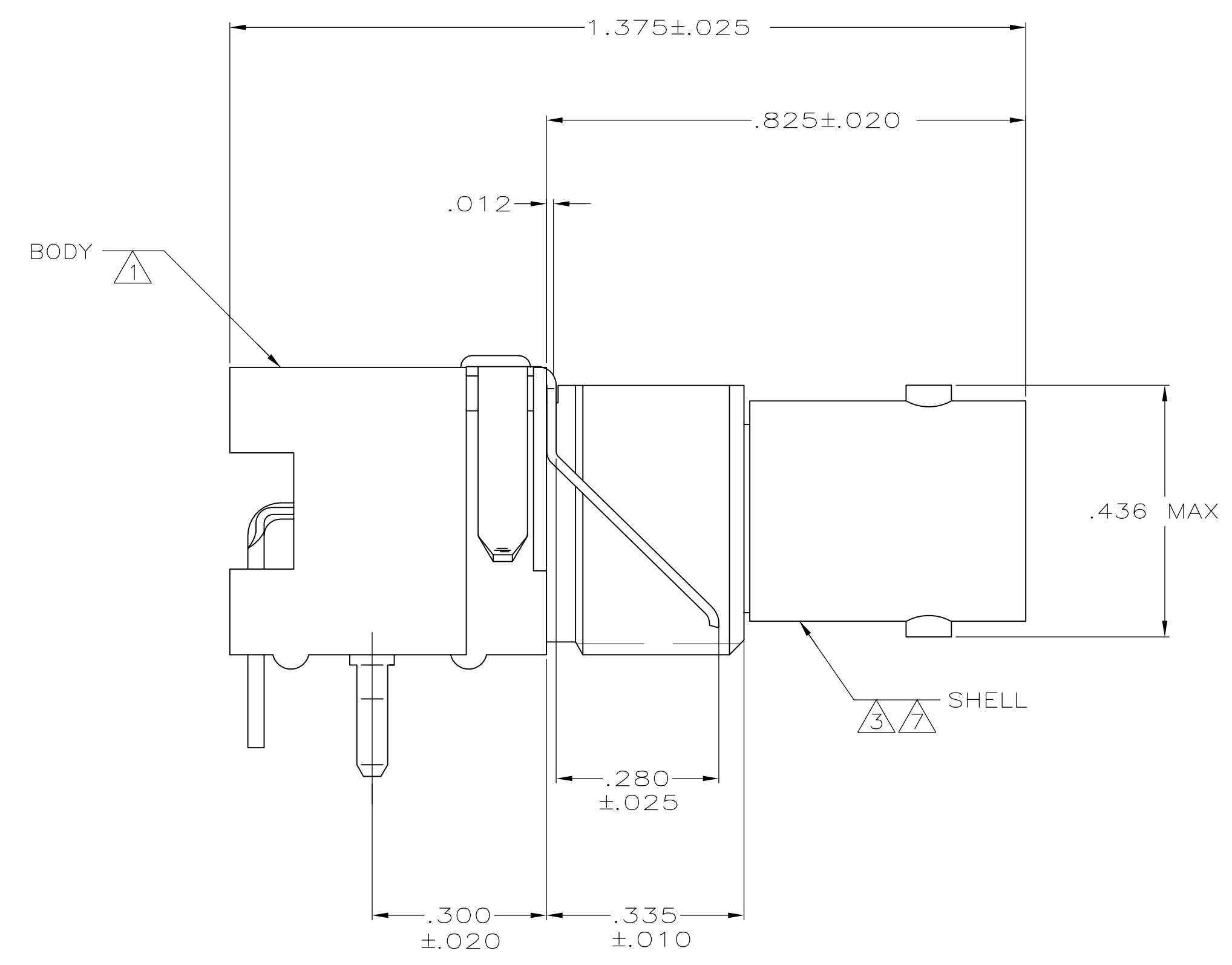
P.C.B. CONFIGURATION
SCALE=10:1



RECOMMENDED PANEL CUTOUT



- 1 POLYESTER, PCT, BLACK, 30% GLASS FILLED
- 2 POLYMETHYLPENTENE, GENERAL PURPOSE
- 3 ZINC PER QQ-Z-363
- 4 PHOSPHOR BRONZE PER QQ-B-750
- 5 BRASS PER ASTM-B-16
- 6 BRASS PER ASTM-B-453
- 7 NICKEL PL PER QQ-N-290
- 8 TIN PLATE PER ASTM-B-545
- 9 SELECTIVELY GOLD PLATED ON INTERFACE AREA PER ASTM-B-488, .000030 THK, TIN PLATE ON SOLDER TAIL PER ASTM-B-545, ALL OVER NICKEL PLATE PER QQ-N-290



.110	9400 pf, 500 VDC	5414284-2
L	CAPACITANCE & VOLTAGE	PART NO

THIS DRAWING IS A CONTROLLED DOCUMENT.		DIN J. ALCORTA - 26APR2005		Tyco Electronics Corporation	
DIMENSIONS: INCHES		CIK J. HAVENER 26APR2005		Harrisburg, PA 17105-3608	
TOLERANCES UNLESS OTHERWISE SPECIFIED:		APVD J. LIPPERT 26APR2005		NAME	
0 PLC ± -		PRODUCT SPEC		JACK, DECOUPLER, RIGHT ANGLE, LOW PROFILE, SERIES BNC	
1 PLC ± -		APPLICATION SPEC		108-1269	
2 PLC ± -		SIZE		A1	
3 PLC ± .008		CAGE CODE		00779	
4 PLC ± -		DRAWING NO		5414284	
ANGLES ± -		RESTRICTED TO		-	
MATERIAL THRU		WEIGHT		-	
FINISH		CUSTOMER DRAWING		SCALE 5:1 SHEET 1 OF 1 REV B	