

注記 NOTES

1. 使用材料 MATERIAL

ハウジング：液晶ポリマー (LCP) ガラス充填 UL94V-0 (黒)
 HOUSING: LIQUID CRYSTAL POLYMER (GLASS FILLED) UL94V-0 (COLOR: BLACK)
 ターミナル：りん青銅 (t=0.1)
 TERMINAL : PHOSPHOR BRONZE (t=0.1)
 吸着テープ：ポリイミド
 VACUUM TAPE : POLYIMIDE

2. メッキ仕様 PLATING

ターミナル TERMINAL

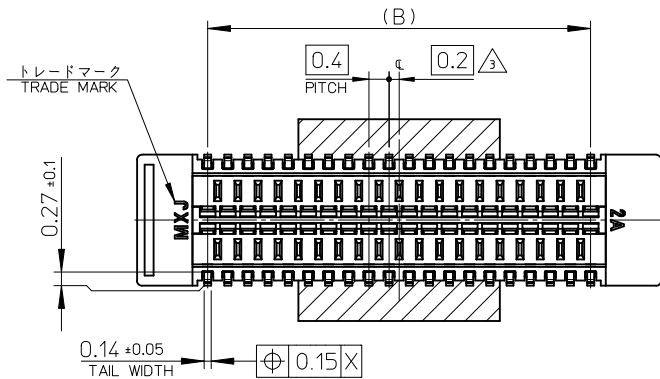
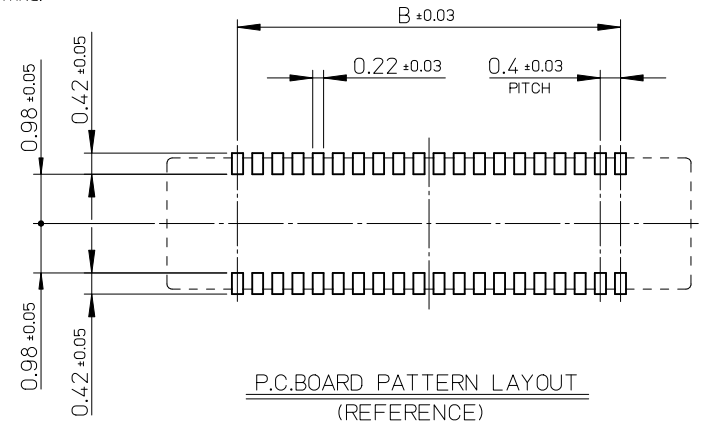
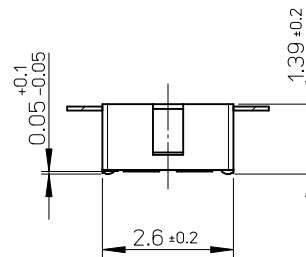
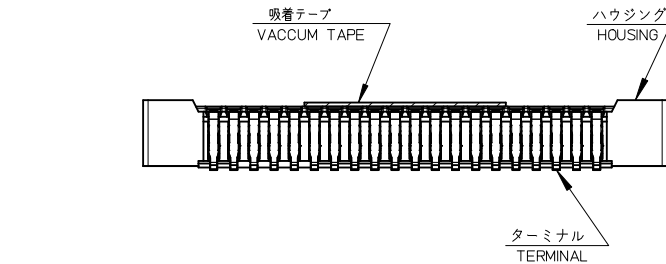
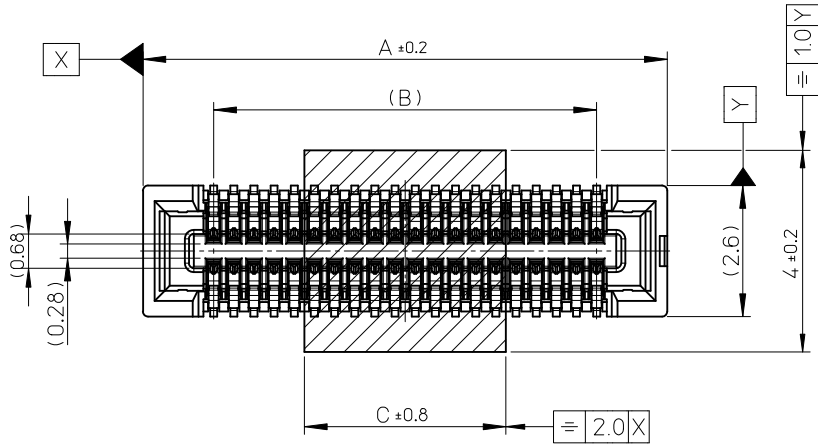
金メッキ 0.1 マイクロメートル以上 (コンタクト部)
 GOLD 0.1 MICROMETER MINIMUM (CONTACT AREA)
 金メッキ 0.05 マイクロメートル以上 (テール部)
 GOLD 0.05 MICROMETER MINIMUM (TAIL AREA)

下地メッキ：ニッケルメッキ 1.0 マイクロメートル以上
 UNDER PLATING : NICKEL 1.0 MICROMETER MINIMUM

※コンタクト部とテール部はニッケルメッキによって分断されている金メッキです。
 DIVIDE INTO PARTS THE GOLD PLATING OF THE CONTACT AND THE TAIL PART BY THE NICKEL PLATING.

△3 (全極数 / 2) = 偶数の場合に適用。
 APPLY FOR (CIRCUIT / 2) = EVEN.

4. 嵌合相手： 503108 シリーズ
MATE WITH : 503108 SERIES.
5. テール平坦度は、0.1 以下
TAIL COPLANARITY TO BE 0.1 MAXIMUM.
6. ELV 及び RoHS 適合品
ELV AND RoHS COMPLIANT.



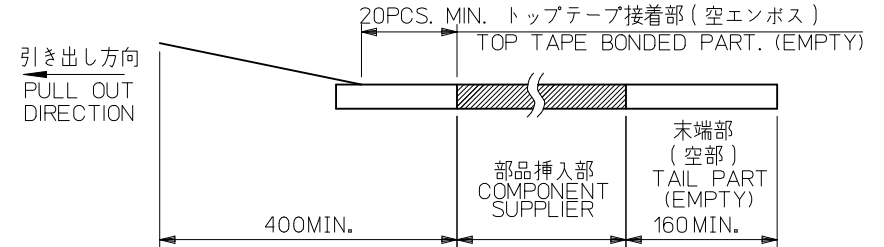
7.0	9.6	12.4	503105-5030	50
4.0	7.6	10.4	503105-4030	40
C	B	A	EMBOSSED TAPE	CKT.
			ORDER No. オーダー番号	
			MODEL No. : 503105-**-39	

RELEASED EC NO. : J2012-1165 DRWN: DNITA 2012/02/28 CHKD: TASAKAWA 2012/02/28 APPR: MSASAO 2012/02/28	GENERAL TOLERANCES (UNLESS SPECIFIED)		DIMENSION STYLE MM ONLY		SCALE 10:1		DESIGN UNITS METRIC		THIRD ANGLE PROJECTION	
	10 UNDER ± ---		DRAWN BY DNITA		DATE 2012/02/28		TITLE 0.4 B-TO-B CONN. HGT=1.5 W=2.6 W/O NAIL REC ASSY WITH TAPE			
	10 OVER 30 UNDER ± ---		CHECKED BY TASAKAWA		DATE 2012/02/28		MOLEX INCORPORATED			
	30 OVER ± ---		APPROVED BY MSASAO		DATE 2012/02/28		DOCUMENT NO. SD-503105-005		SHEET NO. 1 OF 1	
ANGULAR ± --- °		DRAFT WHERE APPLICABLE MUST REMAIN WITHIN DIMENSIONS		SEE CHART		THIS DRAWING CONTAINS INFORMATION THAT IS PROPRIETARY TO MOLEX INCORPORATED AND SHOULD NOT BE USED WITHOUT WRITTEN PERMISSION				

注記 NOTES

CONFIDENTIAL

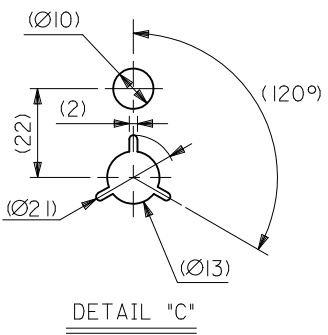
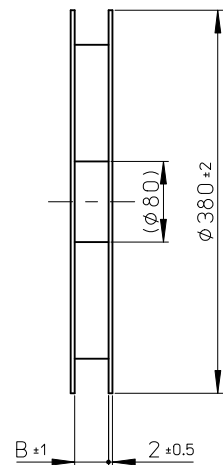
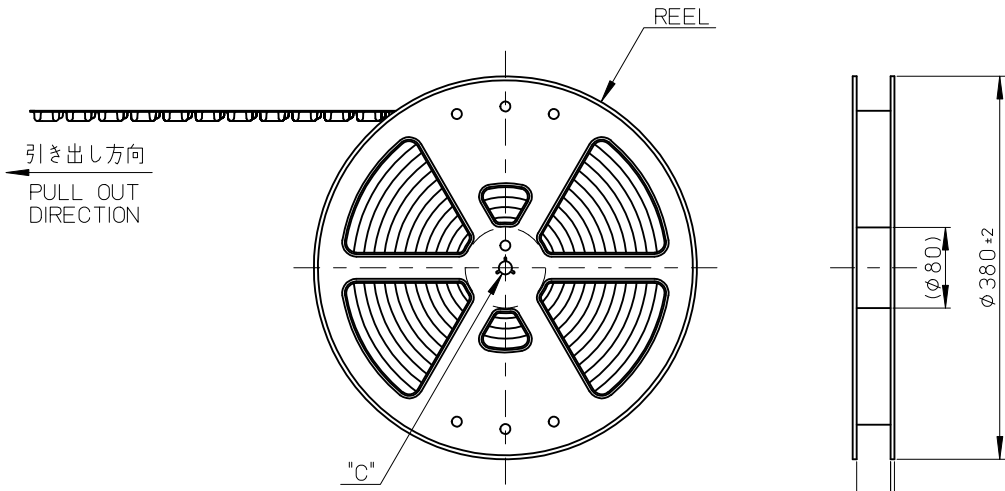
- 製品詳細寸法については製品単体図面を参照下さい。
RE DETAILED DIMENSION, SEE PRODUCT DRAWING.
- 梱包数量: 3000 個/リール
NUMBER OF CONNECTORS : 3000PCS/REEL
- リードテープ長さ LEAD TAPE LENGTH



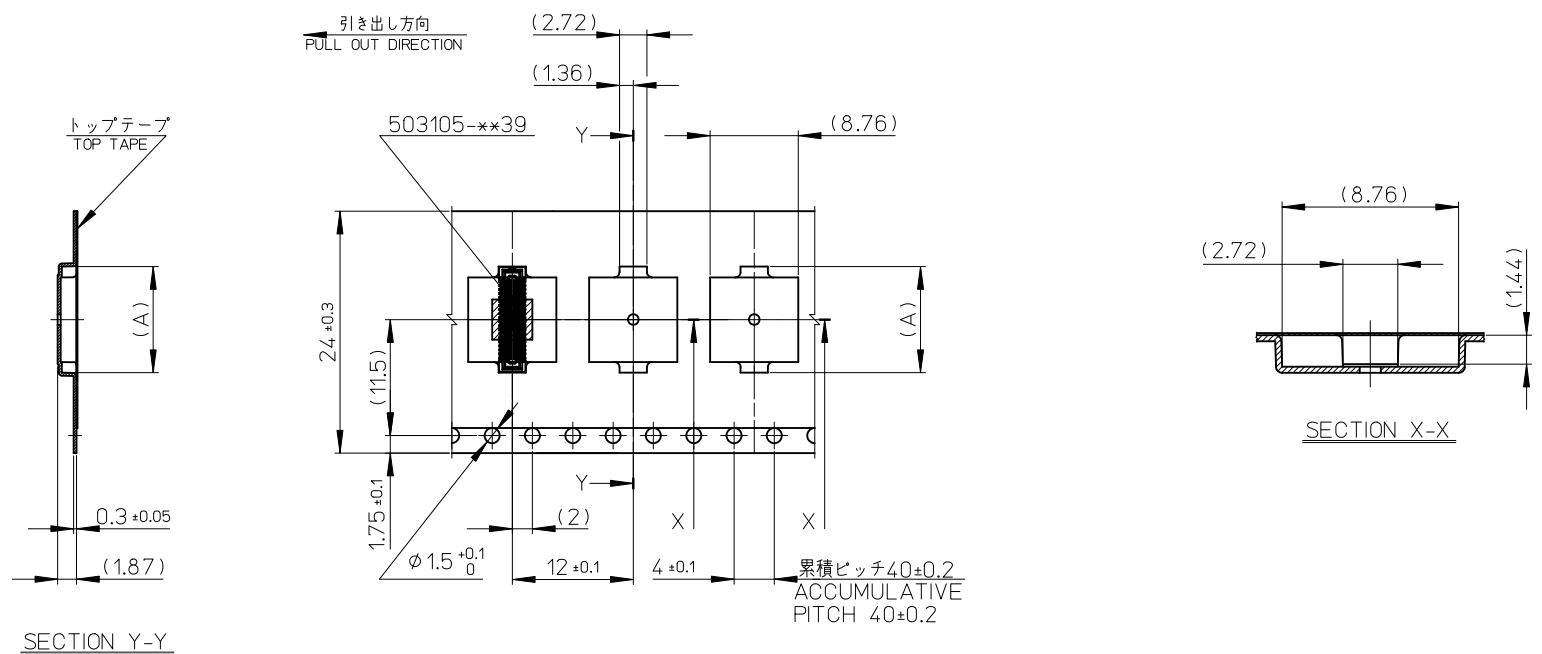
- トップテープの剥離強度: 0.1N~1.3N(10gf~130gf)
(剥離方向は下図参照)
尚、本規格値は出荷時に適用。(但し、輸送時に剥離が発生しないこと。)
PEELING OFF FORCE OF TOP TAPE : 0.1N~1.3N(10gf~130gf)
(PEELING DIRECTION AS SHOWN IN FOLLOWING FIG.)
THIS REQUIREMENT SHOULD BE APPLIED AT SHIPMENT.
PEEL OFF SHOULD NOT BE ALLOWED , DURING TRANSPORTION.



- 材料 MATERIAL
キャリアテープ (CARRIER TAPE) : ポリスチレン (POLYSTYRENE)
トップテープ (TOP TAPE) : PET , PE , PEF
リール (REEL) : ポリスチレン (PS) <リサイクル材を含む>
POLYSTYRENE (PS) <RECYCLE MATERIAL CONTAINED>
- ELV 及び RoHS適合品
ELV AND RoHS COMPLIANT



RELEASED EC NO: J2012-1165 2012/02/28 DRWN:DNITA CHKD:TASAKAWA APPR:MSASAO 2012/02/28	DESCRIPTION GENERAL TOLERANCES (UNLESS SPECIFIED)	10 UNDER	±---	DIMENSION STYLE	SCALE	DESIGN UNITS	MODEL NO.	503105--**30	
		10 OVER 30 UNDER	±---	MM ONLY	---	METRIC	THIRD ANGLE PROJECTION		
		30 OVER	±---	DRAWN BY	DATE	TITLE	0.4 B-T0-B CONN. HGT=1.5 REC ASSY EMBSTP PKG WITH TAPE		
		ANGULAR	±---°	DNITA	2012/02/28	MOLEX INCORPORATED			
A	REV	DRAFT WHERE APPLICABLE MUST REMAIN WITHIN DIMENSIONS		MATERIAL NO.	DOCUMENT NO.	SHEET NO.			
				SEE CHART	SD-503105-006	1 OF 2			
		SIZE	THIS DRAWING CONTAINS INFORMATION THAT IS PROPRIETARY TO MOLEX INCORPORATED AND SHOULD NOT BE USED WITHOUT WRITTEN PERMISSION						



24mm 幅キャリアテープ
24mm WIDTH CARRIER TAPE

24	25.5	12.52	503105-5030	50
		10.52	503105-4030	40
キャリアテープ幅 CARRIER TAPE WIDTH	B	(A)	MATERIAL No.	CKT.
			MODEL No.	503105-***30

RELEASED EC NO: J2012-1165 DRWN: DNITA 2012/02/28 CHKD: TASAKAWA 2012/02/28 APPR: MSASAO 2012/02/28	DESCRIPTION GENERAL TOLERANCES (UNLESS SPECIFIED)	DIMENSION STYLE MM ONLY	SCALE ---	DESIGN UNITS METRIC	THIRD ANGLE PROJECTION	
		DRAWN BY DNITA	DATE 2012/02/28	TITLE 0.4 B-TO-B CONN. HGT=1.5 REC ASSY EMBSTP PKG WITH TAPE		
		CHECKED BY TASAKAWA	DATE 2012/02/28	MOLEX INCORPORATED		
		APPROVED BY MSASAO	DATE 2012/02/28	MATERIAL NO. SEE CHART	DOCUMENT NO. SD-503105-006	SHEET NO. 2 OF 2
REV A	DRAFT WHERE APPLICABLE MUST REMAIN WITHIN DIMENSIONS	SIZE A3	THIS DRAWING CONTAINS INFORMATION THAT IS PROPRIETARY TO MOLEX INCORPORATED AND SHOULD NOT BE USED WITHOUT WRITTEN PERMISSION			