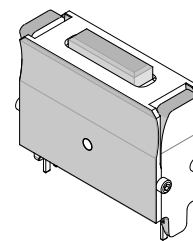


**Unlocking
Tool**



**Application Tooling
Specification Sheet**



Order No. 63824-6600

FEATURES

- This Tool is for unlocking the TPA from a 120 Way CMX or Euro6 Connector. This tool will not remove the TPA.
- Ideal for wire harness manufacturers.

SCOPE

Products: CMX Receptacle Connectors

| Connector Series No. | Connector Order No. | | | | | |
|----------------------|---------------------|------------|------------|------------|------------|------------|
| 34854 | 34854-0111 | 34854-0112 | 34854-0113 | 34854-0114 | 34854-0115 | 34854-0116 |
| | 34854-0121 | 34854-0122 | 34854-0123 | 34854-0124 | 34854-0125 | 34854-0126 |

Unlocking and Opening the (TPA) Secondary Lock

For the CMX receptacle assembly, follow the steps below:

1. Insert the tool into the (2) side slots of the (TPA) secondary lock on each sides until it stops. See Figure 1. The (2) two catch pivots on the sides of the tool will engage the TPA.
2. Push on the tool until the TPA contacts with the inside edge of the tool and the locking latches click into place.

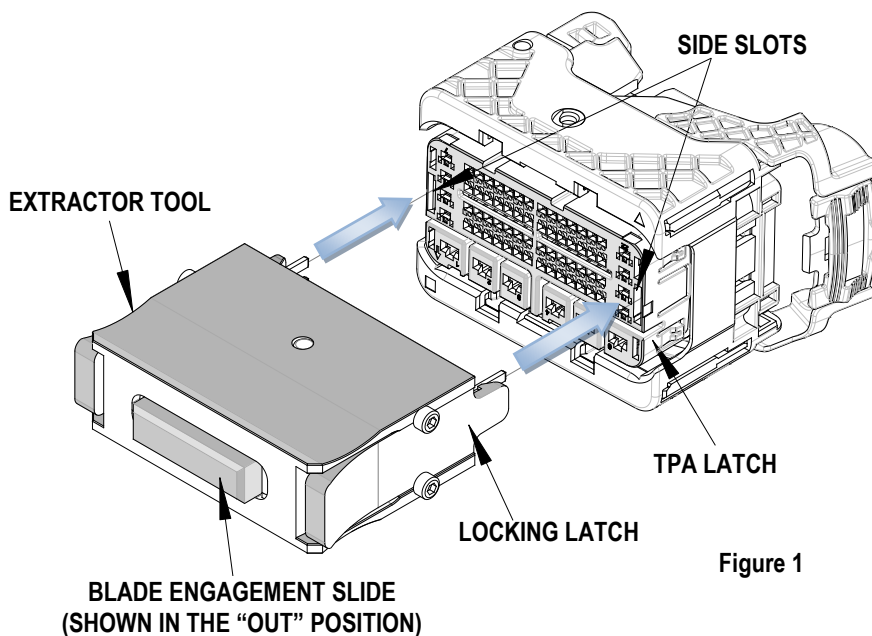


Figure 1

3. The tool is now secure on the in the TPA. See Figure 2.
4. Gently push the blade engagement slide "IN" until it is about even with the face of the tool.
5. Still holding the front of the tool, pull out until the TPA stops.
6. Remove the tool and check the position of the TPA.

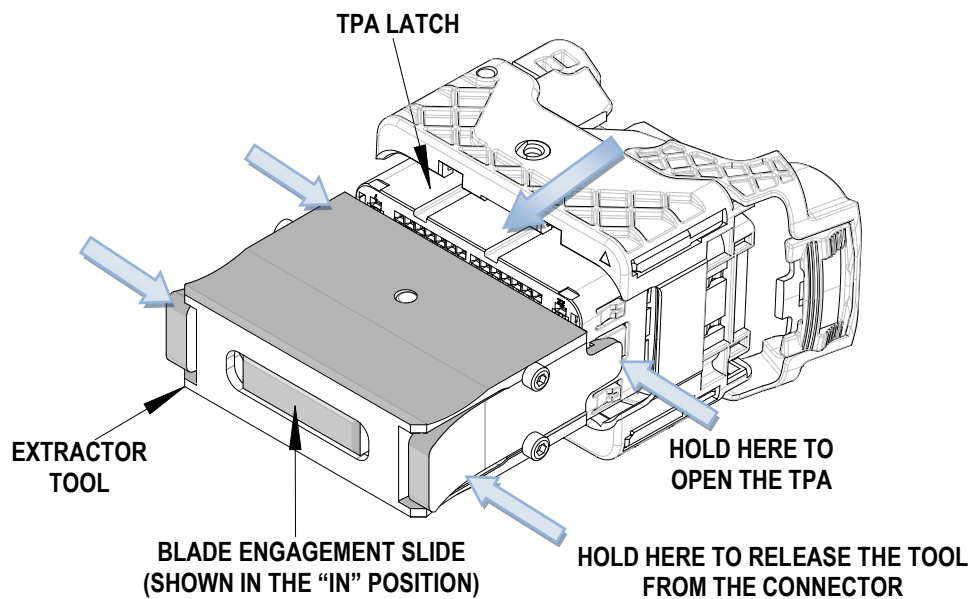


Figure 2

Visit our Website at <http://www.molex.com>