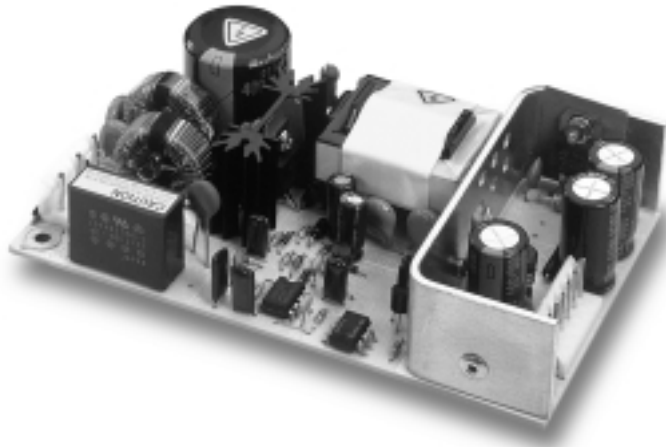




SC40/60 Series



3 x 5" 40W to 80W AC-DC Power Supplies

- ◆ Low Cost
- ◆ Single and Multiple Outputs
- ◆ Wide Range AC Input
- ◆ Low profile
- ◆ Global Safety Agency Compliance
- ◆ Meets EN61000-4 (-2 to -6)

Key Market Segments & Applications

Computer Peripherals
 Datacom
 Point of Sale
 Test and Measurement

SC40/60 Features and Benefits

Feature

- ◆ Industry standard footprint
- ◆ Broad product range
- ◆ Meets EN61000-4 immunity

Benefit

- ◆ Availability to second source
- ◆ Optimization of power supply to system
- ◆ Greater reliability

Specifications

MODELS		SCS40	SCD40	SCT4x	SCT401	SCS60	SCD60	SCT6x	SCT601	
ITEMS										
Output Power Convection	W	40		40			60		50	
Output Power Forced Air	W	55		55			80		68	
Main Output Adjustment	V	-5, +10% O/P 1 only			±5%	-5, +10%			±5%	
Line and Load Regulation (1)	%	Output 1: ±2%, Output 2: ±5% (±7% on 24V models), Output 3: ±5%								
Hold Up Time (typical)	ms	20			16	20			13	
Size (2)	in	3 x 5 x 1"					3 x 5 x 1.34"			
AC Input	-	85-265 VAC, 47-63 Hz								
Efficiency	%	Typically 70% full load at nominal AC Line								
Inrush Current Limiting	A	36A typical @230VAC cold start								
Surge Immunity	-	EN61000-4 (-2 through -6) level 3								
EMI	-	FCC Class B, EN55022 B								
Cross Regulation	%	± 2% on output 1, ±5% on outputs 2 & 3 (multiple outputs only)								
Ripple and Noise	%	1% peak to peak								
Overcurrent Protection	-	Short circuit protection, automatic recovery								
Overvoltage Protection	-	Output 1 only, <135%								
Cooling	-	When specified with forced air cooling, flow is 300 LFM								
Operating Temp. Range	-	0 to +50°C								
Storage Temperature	-	-20 to +85°C								
Safety Agency Approval	-	UL1950, CSA950, EN60950, CE Mark								
Warranty	-	1 year								

(1) SCT401 & SCT601 Outputs 1 & 2: ±2.5%

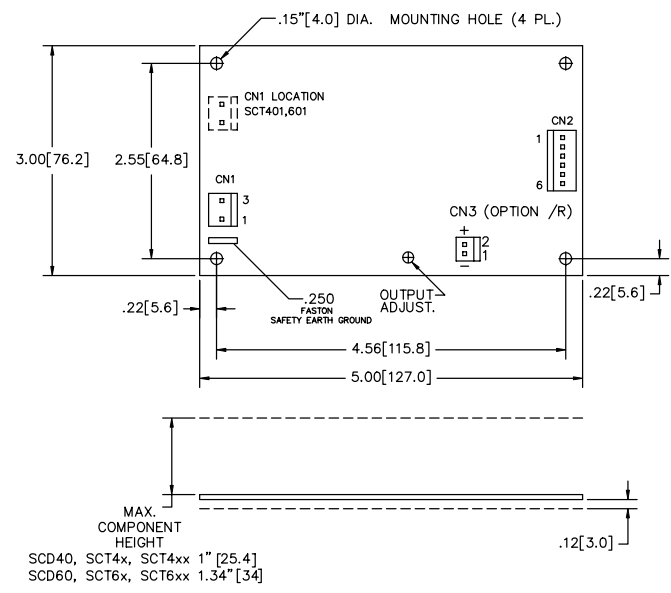
(2) Height is specified as maximum component height

Note: See Installation Manual for full details, test methods of parameters and application notes

SC Model Selector

Model		O/P (V)	Min Load(A)	Convec. (A)	Forced Air(A)	Peak Load(A)**		
Single Output	SCS403	V1	3.3	-	8.0	11.0	12.0	
	SCS405	V1	5.0	-	8.0	11.0	12.0	
	SCS4012	V1	12.0	-	3.3	4.5	5.0	
	SCS4015	V1	15.0	-	2.6	3.6	4.0	
	SCS4024	V1	24.0	-	1.6	2.3	2.5	
	SCS4028	V1	28.0	-	1.4	2.0	2.2	
	SCS4048	V1	48.0	-	0.9	1.2	1.3	
	SCS603	V1	3.3	-	12.0	16.0	18.0	
	SCS605	V1	5.0	-	12.0	16.0	18.0	
	SCS6012	V1	12.0	-	5.0	6.7	7.5	
	SCS6015	V1	15.0	-	4.0	5.3	6.0	
	SCS6024	V1	24.0	-	2.5	3.3	3.8	
	SCS6028	V1	28.0	-	2.1	2.9	3.2	
	SCS6048	V1	48.0	-	1.3	1.7	1.9	
	Dual Output	SCD401212	V1	12.0	0.1	1.8	2.5	-
			V2	-12.0	0.1	1.5	2.0	-
SCD401515		V1	15.0	0.1	1.5	2.0	-	
		V2	-15.0	0.1	1.2	1.6	-	
SCD601212		V1	12.0	0.2	2.75	3.7	-	
		V2	-12.0	0.2	2.25	3.0	-	
Triple Output	SCD601515	V1	15.0	0.2	2.2	2.9	-	
		V2	-15.0	0.2	1.8	2.4	-	
	SCT42	V1	5.0	0.4	4.0	5.0	7.0	
		V2	12.0	0.2	2.0	2.5	4.0	
		V3	-12.0	-	0.5	0.7	1.0	
	SCT43	V1	5.0	0.5	5.0	6.0	7.0	
	V2	12.0	-	0.5	0.7	1.0		
	V3	-12.0	-	0.5	0.7	1.0		
SCT44	V1	5.0	0.4	4.0	5.0	7.0		
	V2	12.0	0.2	2.0	2.5	4.0		
	V3	-5.0	-	0.5	0.7	1.0		
SCT45	V1	5.0	0.4	4.0	5.0	7.0		
	V2	15.0	0.2	2.0	2.5	3.0		
	V3	-15.0	-	0.5	0.7	1.0		
SCT46	V1	5.0	0.4	4.0	5.0	6.0		
	V2	24.0	0.1	1.0	1.5	2.0		
	V3	-12.0	-	0.5	0.7	1.0		
SCT47	V1	5.0	0.4	4.0	5.0	6.0		
	V2	24.0	0.2	1.0	1.5	2.0		
	V3	12.0	-	0.5	0.7	1.0		
SCT48	V1	5.0	0.4	4.0	5.0	6.0		
	V2	24.0	0.1	1.0	1.5	2.0		
	V3	-5.0	-	0.5	0.7	1.0		
SCT401	V1	3.3	0.4	4.0	5.0	7.0		
	V2	5.0	-	2.0	2.5	4.0		
	V3*	±12.0	-	0.5	0.7	1.0		
SCT62	V1	5.0	0.7	7.0	8.0	10.0		
	V2	12.0	0.3	3.0	3.5	6.0		
	V3	-12.0	-	0.7	1.0	1.5		
SCT63	V1	5.0	0.7	7.0	8.0	10.0		
	V2	15.0	0.3	2.8	3.3	4.0		
	V3	-15.0	-	0.7	1.0	1.5		
SCT64	V1	5.0	0.7	7.0	8.0	10.0		
	V2	12.0	0.3	3.0	3.5	6.0		
	V3	-5.0	-	0.7	1.0	1.5		
SCT65	V1	5.0	0.7	7.0	8.0	10.0		
	V2	24.0	0.1	1.5	2.0	3.0		
	V3	12.0	-	0.7	1.0	1.5		
SCT66	V1	5.0	0.7	7.0	8.0	10.0		
	V2	24.0	0.1	1.5	2.0	3.0		
	V3	-12.0	-	0.7	1.0	1.5		
SCT67	V1	5.0	0.7	7.0	8.0	10.0		
	V2	24.0	0.1	1.5	2.0	3.0		
	V3	-5.0	-	0.7	1.0	1.5		
SCT68	V1	5.0	0.7	7.0	8.0	10.0		
	V2	15.0	0.1	3.0	3.5	3.0		
	V3	12.0	-	0.92	1.0	1.5		
SCT601	V1	3.3	0.7	7.0	8.0	9.5		
	V2	5.0	0.3	3.0	3.5	3.5		
	V3*	±12.0	-	1.0	2.0	2.0		

SC Outline Drawing



- NOTES:
- DIMENSIONS SHOWN IN INCH [mm]
 - TOLERANCE .02 [0.5] MAXIMUM
 - MATING CONNECTORS:

CN1	MOLEX	09-50-8031
CN2	MOLEX	09-50-8061
CN2	MOLEX	09-50-8071 (SCT401/601)
CN1, 2	PINS MOLEX	08-52-0113
CN3	MOLEX	22-01-3027
CN3	PINS MOLEX	08-50-0114

Model Selector Notes:
 * V3 output floating on SCT401 & SCT601
 ** <30s, 10% duty cycle, average power must not exceed maximum ratings

Other Lambda DC-DC Products

SC120	120W 4" x 7" Single, Dual, Triple and Quad output with PFC
ZWS	5 to 150W single output, universal input
VSB & VSC	10 to 150W single output, 115VAC input

For Additional Information, please visit
www.lambdapower.com/products/sc-series.htm