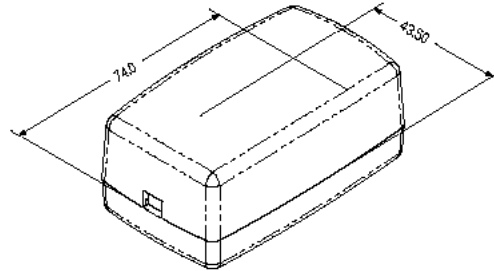
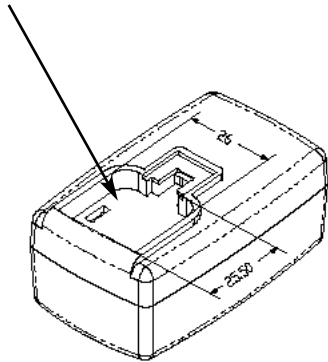


PROPRIETARY INFORMATION:
 PROPRIETARY OF GLOBTEK, INC. ANY REPRODUCTION, DISCLOSURE OR USE OF THIS DRAWING, IN WHOLE OR IN PART, IS HEREBY PROHIBITED EXCEPT AS SPECIFIED IN WRITING BY GLOBTEK, INC.

REVISION			
REV	DESCRIPTION	DATE	APPROVED
A	INITIAL RELEASE, RFS.4530, DMR	09/29/04	DMR
B	ADD PAGE 2, UPDATE PACKING, RFS.6026, DMR	04/20/05	DMR
C	REVISE PACKING, RFS. 8014, DMR	02/23/06	DMR
D	ADD CH. ROHS, RFS. 13287, EM	03/31/08	HM
E	REVISE DESCRIPTION, I/P CONNECTORS, RFS. 18360, EM	03/30/10	HM
F	ADD CARTON WEIGHT, RFS. 23883, EM	12/10/12	HM
G	CHANGE CARTON WEIGHT FROM 6kgs TO 7kgs, RFS. 24268, SO	02/25/13	HM



STANDARD OPTION SHIPS WITHOUT AC PINS INSTALLED

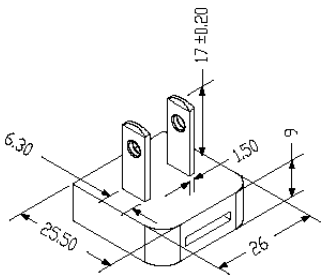


1. MATERIAL

HIGH IMPACT PLASTIC, 94V0 POLYCARBONATE, NON-VENTED, COLOR BLACK

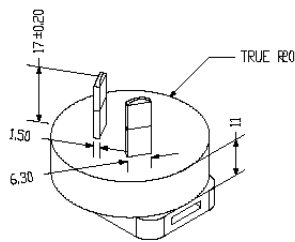
INPUT CONNECTORS OPTIONS Pins are included with Power Supply		Input connector Q-Kit (R)
1	CLASS II MODEL, NEMA 1-15P AC POWER PLUG WITH 2 PRONGS, Q-NA (R)	X
2	AUSTRALIAN AS3112 CONFIGURATION: SAA 2 PINS CLASS II, Q-SAA (R)	X
3	UK BS1363 CONFIGURATION: UK 2 PINS CLASS II, Q-UK (R)	X
4	EUROPEAN CEE 7/16 CONFIGURATION: EUROPLUG 2 PINS, CLASS II, Q-EU (R)	X

1



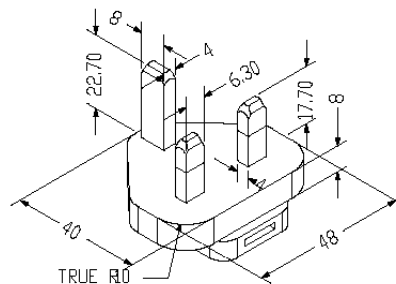
P/N: Q-NA(R)
 NORTH AMERICA
 JAPAN

2



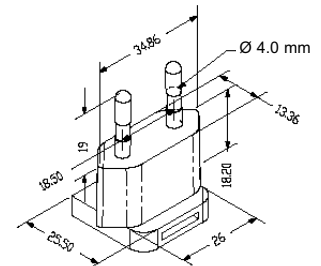
P/N: Q-SAA(R)
 AUSTRALIA

3



P/N: Q-UK(R)
 UNITED KINGDOM
 HONG KONG
 SINGAPORE

4



P/N: Q-EU(R)
 EUROPE
 SOUTH AMERICA

Foot Note:
 Globtek Inc. will not be liable for the safety and performance of these power supplies if unauthorized access and repair occurs. End user should consult applicable UL, CSA or EN standards for proper installation instructions

Limitation of Use:
 Globtek product are not authorized for use as mission critical components in life support, hazardous environment, nuclear or aircraft applications without prior written approval from the CEO of Globtek Inc.

DASH NO.	PART NO	REV.	DESCRIPTION	NOTES
TABULATION BLOCK				
INIT.BY: FS		DATE: 0712/04	GlobTek, Inc. 186 Veterans Dr. Northvale, NJ 07647 Tel. 201-784-1000 Fax 201.784.0111 www.globtek.com	
DRAWN: NF		DATE: 07/12/04		
APRVD : DMR		DATE: 07/12/04	SCALE: NONE	DWG TITLE: Q-KIT 4 INTERCHANGEABLE INPUT BLADES MODEL NO: N/A PART NO: Q-KIT(R) REV. G SHEET 1 OF 2

TOLERANCES:
 DECIMALS ANGULAR
 .xx +/- 0.1 +/- 1'
 .xxx +/- .005
 MILLIMETERS ANGULAR
 .xx +/- 0.3 +/- 1'
 .xxx +/- .013

FSCN No.: G, N
 SIZE A

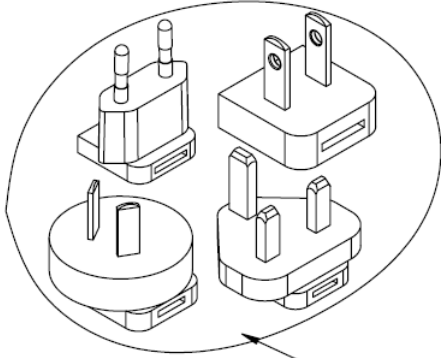
PROPRIETARY INFORMATION:

PROPRIETARY OF GLOBTEK, INC. ANY REPRODUCTION, DISCLOSURE OR USE OF THIS DRAWING, IN WHOLE OR IN PART, IS HEREBY PROHIBITED EXCEPT AS SPECIFIED IN WRITING BY GLOBTEK, INC.

3. PACKING

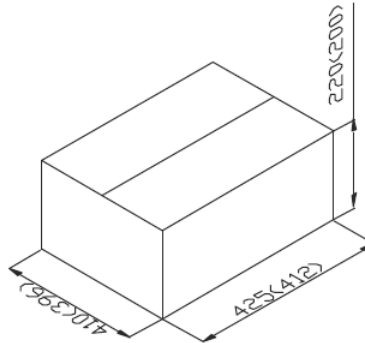
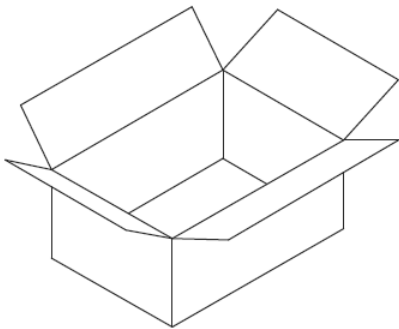
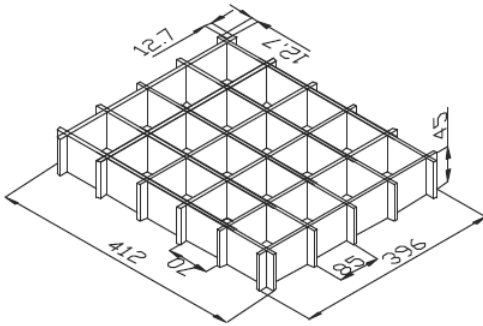
KIT INCLUDING:

Q-NA(R), Q-SAA(R), Q-UK(R), Q-EU(R),
1 PIECE EACH: Q-KIT(R)



POLYBAG: 0.045*110*200

CARTON SIZE: 425 x 410 x 220 mm
Q-TY:80 PCS (20x4)
CARTON WEIGHT: 7.0 kgs



GlobTek, Inc.
www.globtek.com

186 Veterans Dr. Northvale, NJ 07647
Tel. 201-784-1000 Fax 201.784.0111

DWG TITLE: Q-KIT 4 INTERCHANGEABLE INPUT BLADES

MODEL NO: N/A

REV.
G

PART NO: Q-KIT(R)

SHEET 2 OF 2