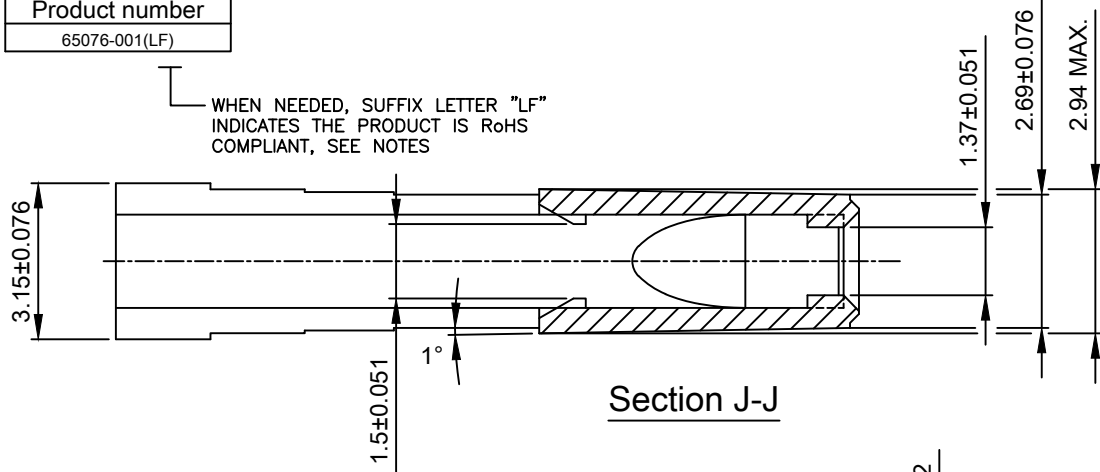
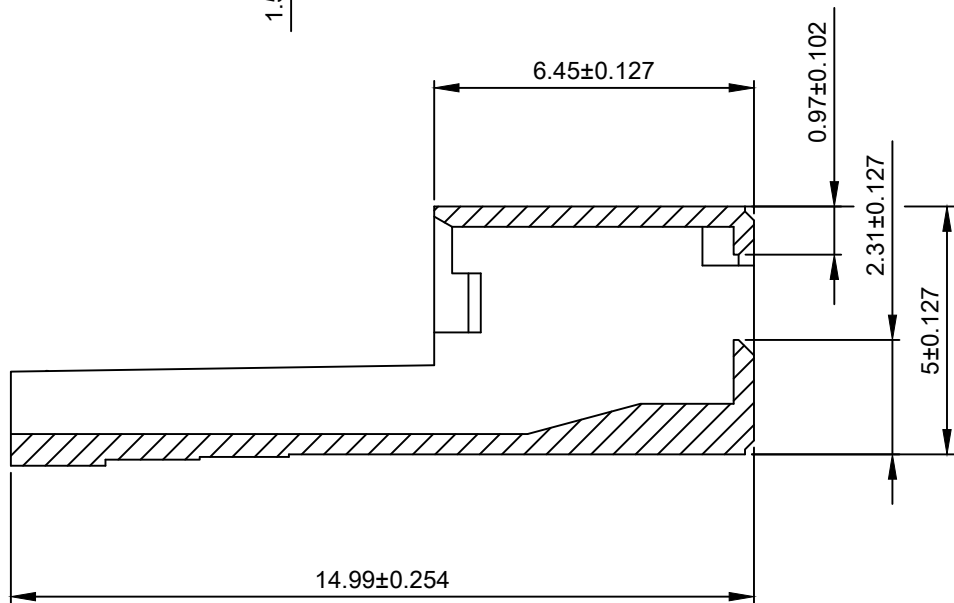
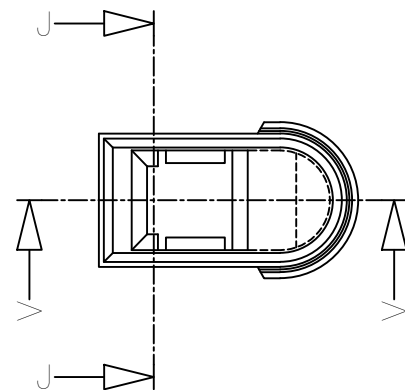


Product number
65076-001(LF)

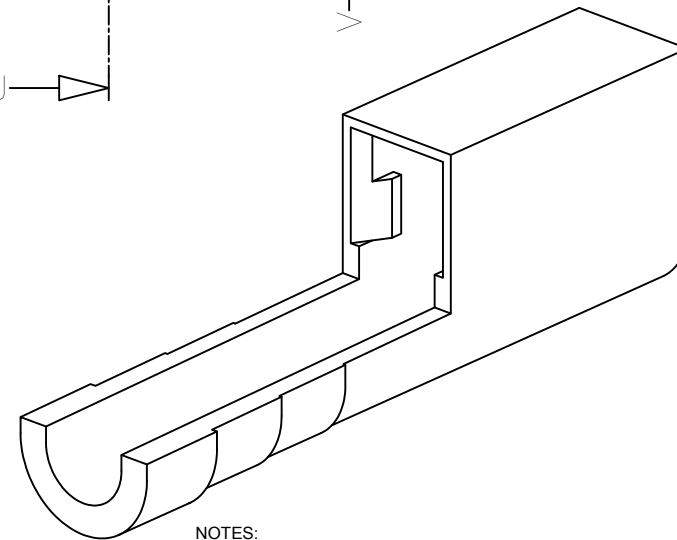
WHEN NEEDED, SUFFIX LETTER "LF"
INDICATES THE PRODUCT IS RoHS
COMPLIANT, SEE NOTES



Section J-J



Section V-V



NOTES:

MATERIAL : POLYPHENYLENE OXYDE, COLOUR : BLACK.
RoHS COMPATIBLE PRODUCT SPECIFICATIONS

a - LABELING:

- MEETS PACKAGING SPECS AS PER GS-14-920

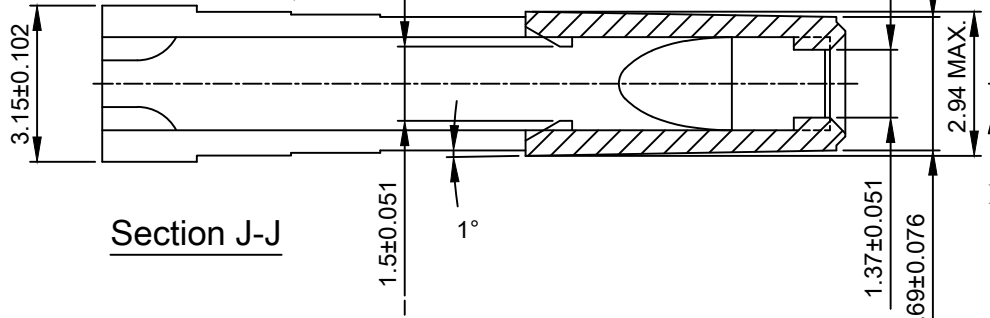
b - LEGAL STATEMENT: SEE GS-22-008

THE PRODUCT IS NOT INTENDED TO BE EXPOSED TO A
MANUFACTURING SOLDER PROCESS.

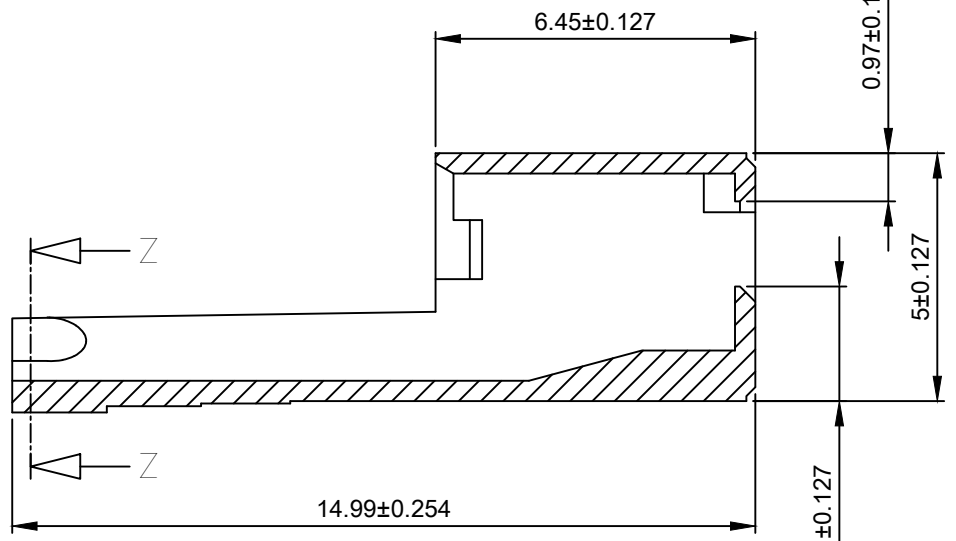
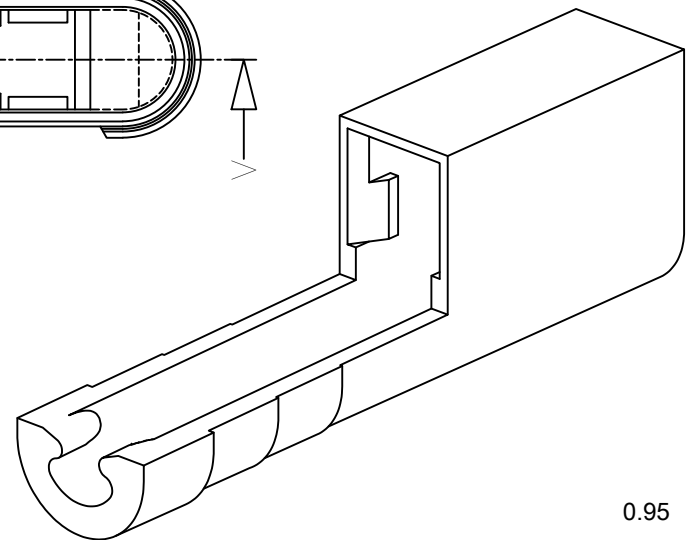
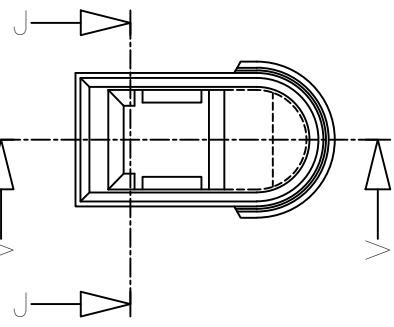
mat'l. code SEE NOTE 1.		surface ISO 1302		tolerance ISO 406 ISO 1101		projection mm		product family JUMBO PV			
ltr	ecn no	dr	date	tolerances unless otherwise specified		mm		title			
D	H30301	JvZ	93.04.20	angles	linear	scale 10:1		JUMBO P.V. HOUSING			
E	F00405	VIB	00.05.15					dwg no			
F	F05-0235	DLE	05.08.24					sheet 1 of 3 size			
G	F05-0286	DLE	05.11.07	dr	J.v.Zeist	93.04.20			65076		
H	F06-0218	DLE	06.07.11	enr					A3		
J	F-27421	DDE	17.07.07	chr	M.Loman	93.04.20			type		
				appd					Product Customer Drawing		
sheet index	revision sheet										

Product number
65076-002LF

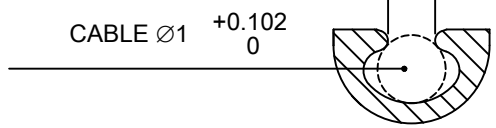
WHEN NEEDED, SUFFIX LETTER "LF"
INDICATES THE PRODUCT IS RoHS
COMPLIANT, SEE NOTES



Section J-J



Section V-V



Section Z-Z

NOTES:
MATERIAL : POLYPHENYLENE OXYDE, COLOUR : BLACK.
RoHS COMPATIBLE PRODUCT SPECIFICATIONS

- a - LABELING:
- MEETS PACKAGING SPECS AS PER GS-14-920
- b - LEGAL STATEMENT: SEE GS-22-008

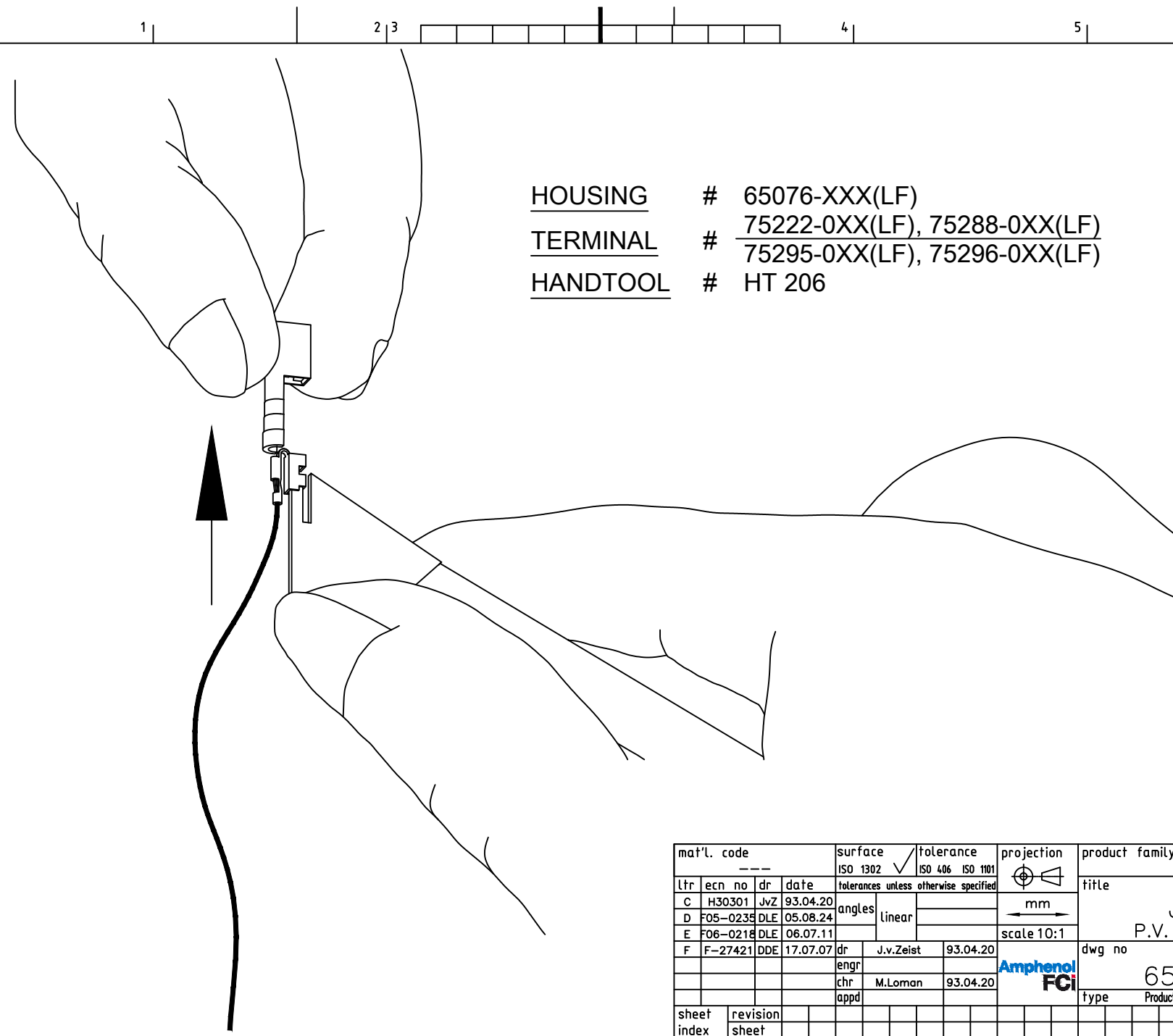
THE PRODUCT IS NOT INTENDED TO BE EXPOSED TO A
MANUFACTURING SOLDER PROCESS.

mat'l. code SEE NOTE 1.		surface ISO 1302 ✓		tolerance ISO 406 ISO 1101		projection mm		product family JUMBO PV	
ltr	ecn no	dr	date	tolerances unless otherwise specified		title		JUMBO P.V. HOUSING	
E	H30301	JvZ	93.04.20	angles	linear	scale 10:1		sheet 2 of - size	
F	F05-0235	DLE	05.08.24			Amphenol FCI		65076 A3	
G	F05-0286	DLE	05.11.07			type		Product Customer Drawing	
H	F06-0218	DLE	06.07.11	dr	J.v.Zeist	93.04.20			
J	F-27421	DDE	17.07.07	enr	M.Loman	93.04.20			
sheet index		revision sheet							

Amphenol FCI
FCIconnect.com

Copyright FCI

HOUSING # 65076-XXX(LF)
TERMINAL # 75222-0XX(LF), 75288-0XX(LF)
HANDTOOL # 75295-0XX(LF), 75296-0XX(LF)
 # HT 206



Amphenol
FCI
FCIconnect.com

Copyright FCI

mat'l. code		surface		tolerance		projection		product family		
---		ISO 1302 <input checked="" type="checkbox"/>		ISO 406 ISO 1101				JUMBO PV		
ltr	ecn no	dr	date	tolerances unless otherwise specified				title		
C	H30301	JvZ	93.04.20	angles	linear	mm		JUMBO		
D	F05-0235	DLE	05.08.24			scale 10:1		P.V. HOUSING		
E	F06-0218	DLE	06.07.11	dr	J.v.Zeist	93.04.20		dwg no		
F	F-27421	DDE	17.07.07	enr	M.Loman	93.04.20		sheet 3 of - size		
				chr			Amphenol FCI		65076 A3	
				appd			type		Product Customer Drawing	
sheet	revision									
index	sheet									