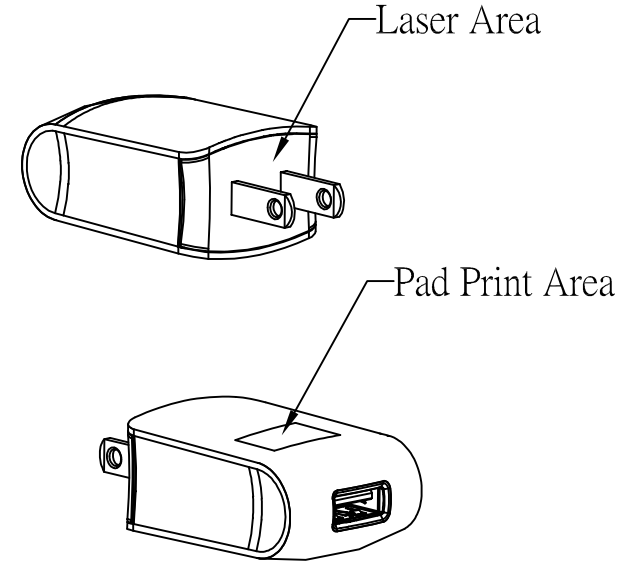
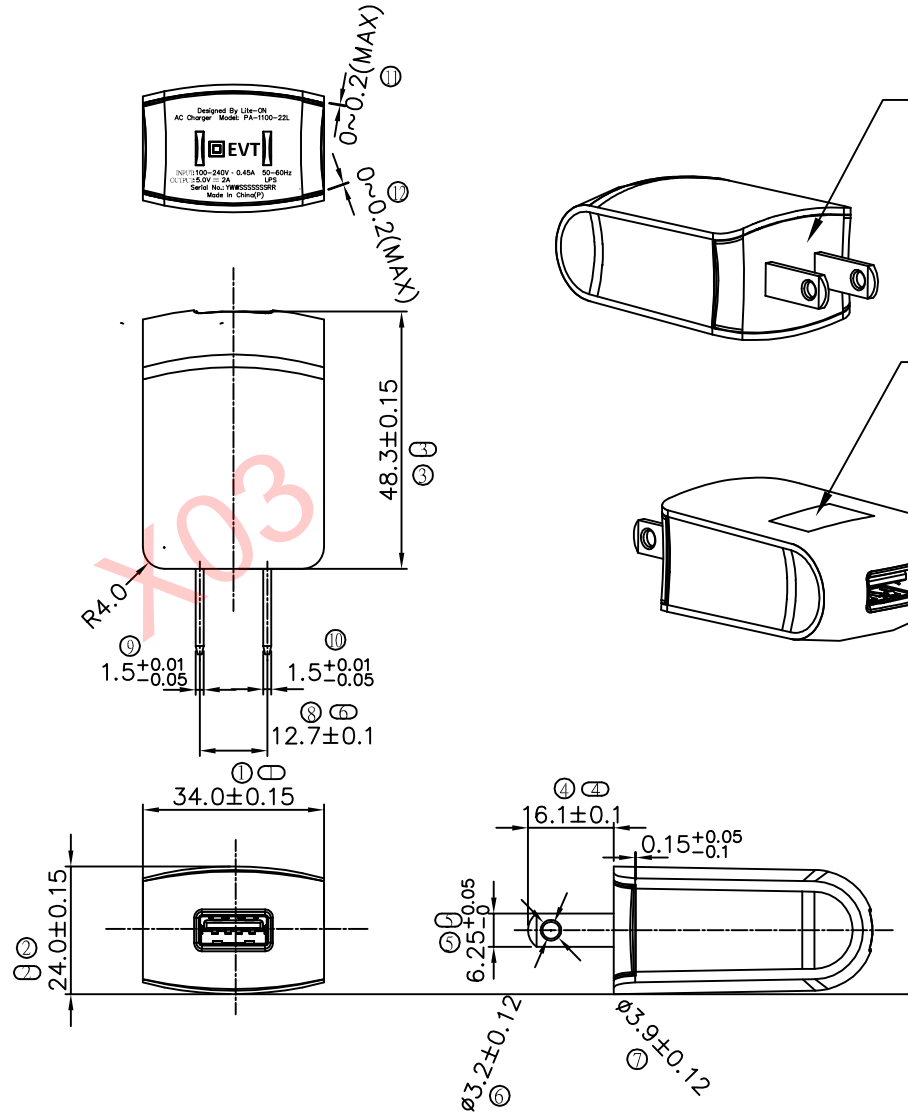
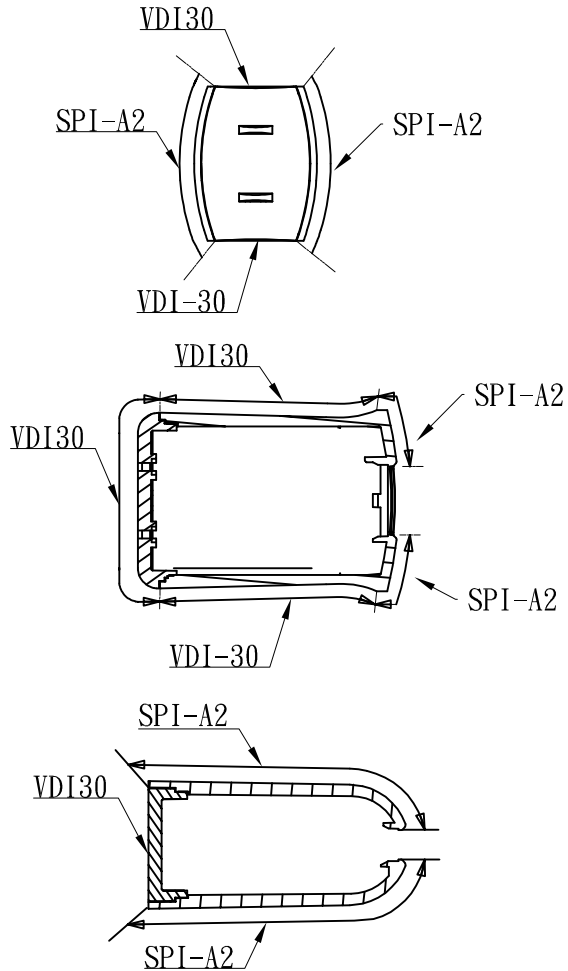


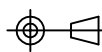
NOTES: UNLESS OTHERWISE SPECIFIED,
PARTS SPECIFIED AS FOLLOWS:

- 1.MATERIAL:
RESIN: SAMSUNG PC EN-1052L
RATED: 94V-0
COLOR: BLACK
- 2.FINISH1: ENCLOSURE SURFACE FINISH TO BE SPI-A2 & VDI-30 AS SHOWN
- 3.FINISH2: POWER CONTACT TO BE NICKEL COATING TREATMENT.
COLOR: SHINY.
- 4.MUST BE ATTACHED THE PROTECTIVE FILM ON EXTERNAL.
- 5.DIMENSIONS APPLY AFTER TEXTURE. ○ : FAI ○ : CPK
- 6.PARTING LINE TO BE 0.03MM(MAX).
- 7.CASE-TOP TO CASE-BTM GAP TO BE 0~0.1MM(MAX).
- 8.AFTER ULTRASONIC WELDING DO NOT HAVE OVERFLOW
MALPOSITION/NO SHARP EDGE AT AROUND.



0-2.99mm	±0.05
3-10mm	±0.07
10-29.99mm	±0.1
30-99.99mm	±0.15
100-299mm	±0.2
300-	±0.3

REVISION	DESCRIPTION	DATE	ZONE	PRINTING DATE	FINAL DATE	UNITS: mm	SCALE: —
▲	RELEASED	15-Jul-2013		10-May-2013			
▲	RELEASED	10-May-2013					
▲	RELEASED	7-Mar-2013					

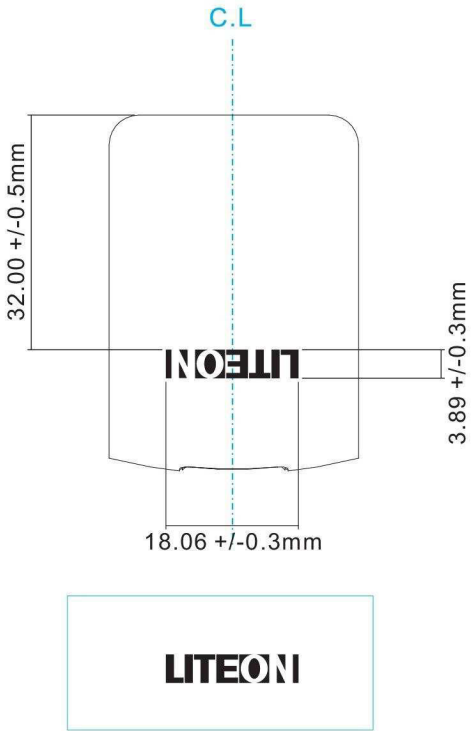


2D FILE	OUTLINE_PA-1100-22L	DESIGNER	MONEY CHIAN	CHECKER		APPROVED	
3D FILE							

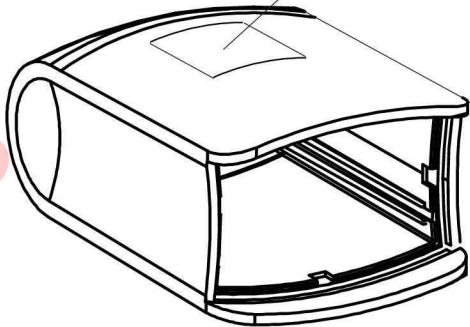


TITLE: OUTLINE DRAW.	PART NO.:	
PROJECT: PA-1100-22L	DRAWING NO.:	0-001503
	REV.:	X03

Artwork



LOGO



Black Type

Pantone cool gray 6C

White Type

Pantone cool gray 4C