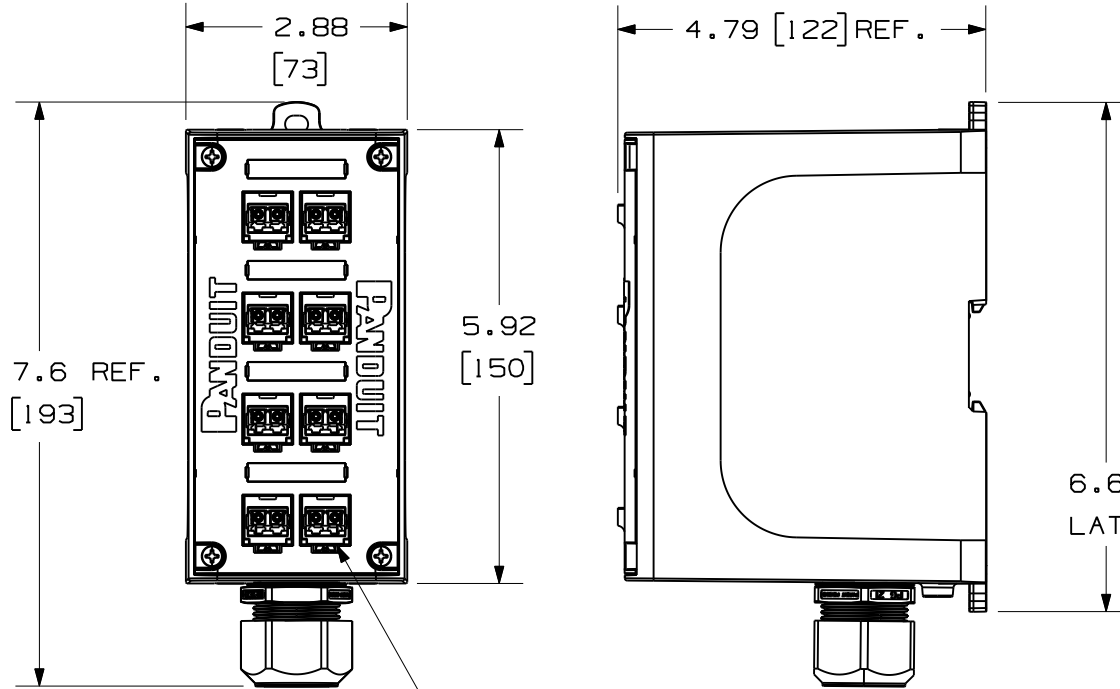


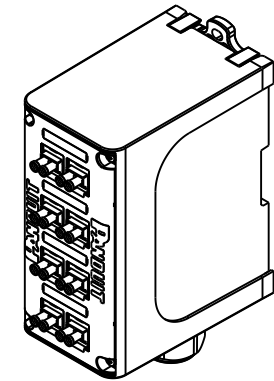
THIS COPY IS PROVIDED ON A RESTRICTED BASIS AND IS NOT TO BE USED IN ANY WAY DETRIMENTAL TO THE INTERESTS OF PANDUIT CORP.

BELOW VIEWS SHOWN
WITHOUT DUSTCAPS



NOTES:

1. SEE CURRENT CATALOG:
 - A. FOR TECHNICAL AND OPERATING SPECIFICATIONS.
 - B. FOR COMPLETE LIST OF PARTS APPLICABLE FOR USE WITH THIS PRODUCT.
2. MATERIALS:
 - A. ENCLOSURE: COMPOSITE PLASTIC WITH METAL FASTENERS.
 - B. ALL MATERIALS AND COMPONENTS USED MEET THE MATERIAL RESTRICTIONS OF RoHS, (EUROPEAN DIRECTIVE 2002/95/EC ON THE RESTRICTION OF HAZARDOUS SUBSTANCES) AS PROPOSED BY THE RoHS TECHNICAL ADAPTATION COMMITTEE.
3. DIMENSIONS IN BRACKETS ARE METRIC [mm].
4. PART INCLUDES:
 - 1- BASE ASSEMBLY
 - 1- FACEPLATE
 - 1- FIBER COVER
 - 1- PG21 CORD GRIP
 - 4- ULTIMATE ID LABELS AND COVERS
 - 4- 6-32 X 3/8" PHILLIPS DRIVE SCREWS



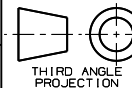
ISOMETRIC VIEW
SHOWN WITH DUSTCAPS

ASSEMBLY SHOWN WITH LC STYLE
ADAPTERS (SUPPLIED SEPARATELY)

PANDUIT P/N	WEIGHT
FDME8RG	0.72 LB/PCS (325 g/PCS)

8-PORT INDUSTRIALNET™
DIN RAIL MOUNT FIBER ENCLOSURE
CUSTOMER DRAWING

PANDUIT®
TINLEY PARK, IL 60487



ALL DIMENSIONS ARE GIVEN IN INCHES,
UNLESS OTHERWISE SPECIFIED,
DIMENSIONAL TOLERANCES ARE:
(.X) ±.03 (.XXX) ±.005
(.XX) ±.01 ANGLES ± 1°

I.T. NUMBER	
PRODUCT SPEC/ PKG SPEC	
DRAWING FILENAME 11F151AE_DC/OOB	
SCALE NONE	
PART NO. FDME8RG	
DRAWING NO. 11F151AE-DC	SIZE A

DRAWN BY
MELC

REVIEW DRAWING NUMBERS

DATE
01-17-12

CHK'D
JGD

REV	DATE	BY	CHK	DESCRIPTION	ECN	R	CUST	SUP	OTH
1	03-29-12	JGD	JAWI	RELEASE TO PRODUCTION	11F151AE-DC	JGD	RWB		