

4

3

2

1

THIS DRAWING IS UNPUBLISHED.

RELEASED FOR PUBLICATION

© COPYRIGHT

ALL RIGHTS RESERVED.

LOC DIST


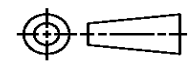
REVISIONS

P	LTR	DESCRIPTION	DATE	DWN	APVD

# REPLACED BY OCEAN STYLE APPLICATOR PART NUMBER

FOR REPLACEMENT PARTS FOR APPLICATOR REFER TO ADDITIONAL PAGE(S). SPARE PARTS KIT (IF LISTED) WILL REMAIN AVAILABLE.

THE REPLACEMENT OCEAN STYLE APPLICATOR HAS THE SAME TERMINATOR/PRESS INTERFACE AS APPLICATOR

THIS DRAWING IS A CONTROLLED DOCUMENT.		DWN	 TE Connectivity		
DIMENSIONS:		CHK			
TOLERANCES UNLESS OTHERWISE SPECIFIED:		APVD	NAME		
 0 PLC ± 1 PLC ± 2 PLC ± 3 PLC ± 4 PLC ± ANGLES ±		PRODUCT SPEC	RESTRICTED TO		
		APPLICATION SPEC	SIZE	CAGE CODE	DRAWING NO
MATERIAL	FINISH	WEIGHT	A3	C-	
		SCALE	SHEET	OF	REV

THIS DRAWING IS UNPUBLISHED. RELEASED FOR PUBLICATION 20  
 BY TYCO ELECTRONICS CORPORATION. ALL RIGHTS RESERVED.

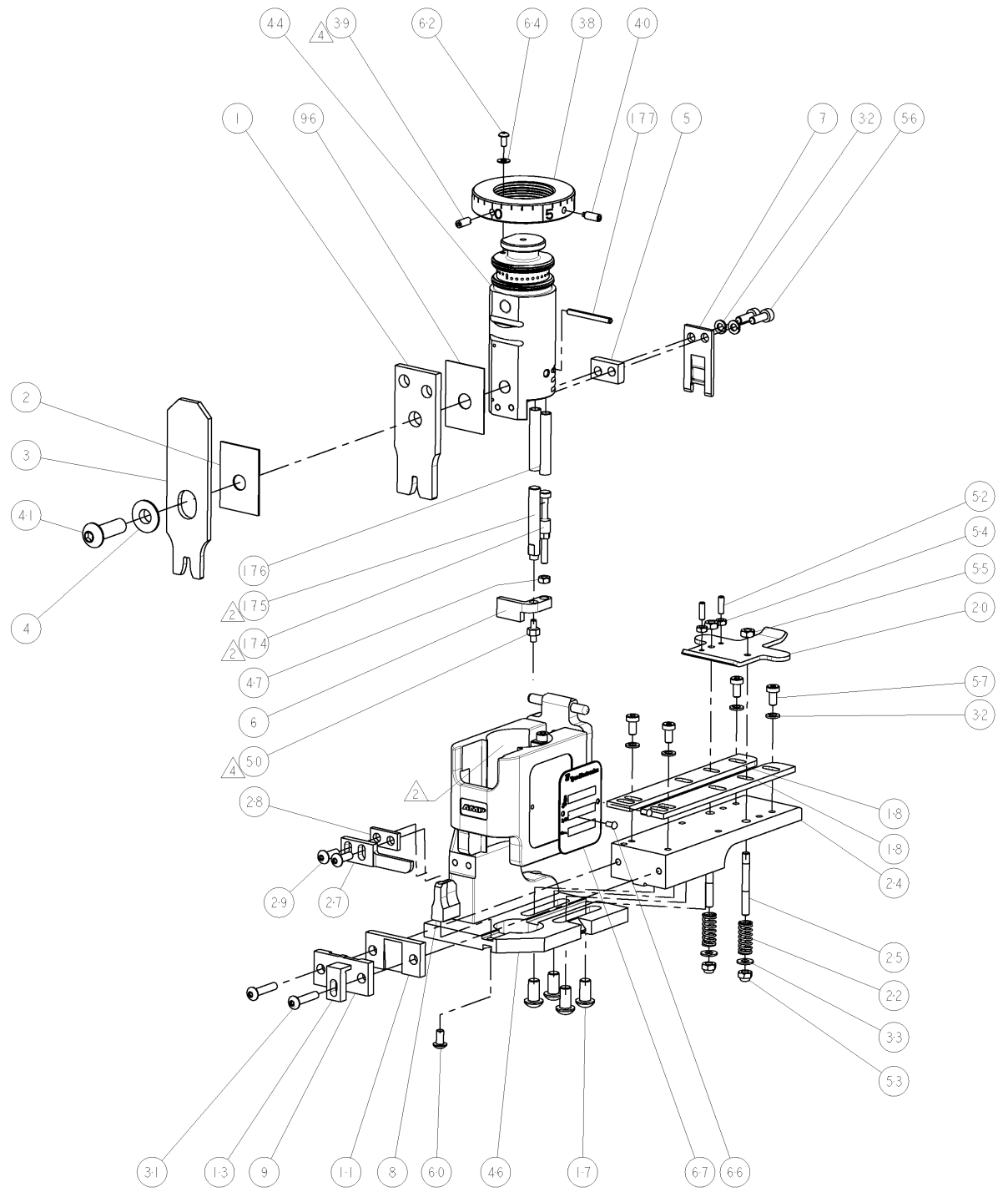
FEED FINGER				SET UP GAGE				REVISONS			
REV	DATE	BY	APPV	REV	DATE	BY	APPV	REV	DATE	BY	APPV
1901697-1	1901068-1	A	66	A	RELEASED						

PART NUMBER	REV	DESCRIPTION	PROGRAMMED MEMORY CHIP
1911042-1	A	S3A APPLICATOR	8-1911042-1
7-1911042-1	A	-1 AND SPARE PARTS	9-1911042-1
7-1911042-7	A	SPARE PARTS KIT	

APPLICATOR DATA		
CRIMP	SIZE	TYPE
WIRE	3.05 [ .120 IN ]	F
INSUL	4.57 [ .180 IN ]	F
APPL INSTRUCTIONS 408-10136		

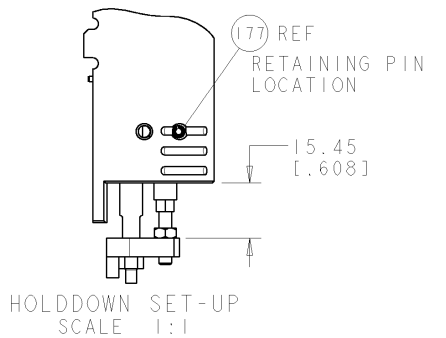
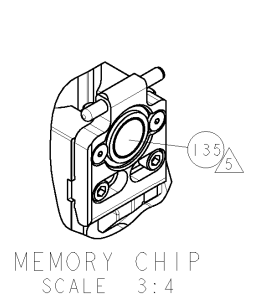
TERMINAL DATA: TE TERMINAL TYCO ELECTRONICS CRIMP SPEC			
TERMINAL NAME: .250 SERIES FASTON RECEPTACLE			
WIRE STRIP LENGTH	INSULATION DIAMETER RANGE		
6.00-6.80mm [ .236-.267 IN ]	3.05-4.32mm [ .120-.170 IN ]		
TERMINAL APPL SPEC	114-2036 (A)	-	-
	114-35000 (B)	-	-
TERMINALS APPLIED			
41274 (A)	41274-1 (A)	41274-2 (A)	41274-3 (A)
41202 (A)	41202-1 (A)	61107-1 (B)	61107-3 (B)
63500-1 (A)	63537-1 (A)	63655-1 (A)	63993-1 (A)
153377-1 (A)	153377-2 (A)	1217917-1 (A)	1217917-2 (A)

WIRE SIZE	CRIMP HEIGHT
mm [ INCH ]	mm [ INCH ]
14AWG	1.91±.05 [ .075±.002 ]
16AWG	1.68±.05 [ .066±.002 ]
18AWG	1.55±.05 [ .061±.002 ]



QTY	REV	REF	REF	REF	DESCRIPTION	ITEM NO
-	1	1			1-993111-6 PIN, SLOTTED SPRING 3.0 X 30.0	177
-	2	2			3-22280-7 SPRING, COMPRESSION	176
-	1	1			1752353-1 GUIDE PIN, HOLDDOWN	175
-	1	1			1901680-1 GUIDE PIN, HOLDDOWN	174
REF	REF	REF			SEE TABLE MEMORY CHIP, PROGRAMMED	135
-	1	1			455888-4 SPACER, CRIMPER	96
-	1	1			1633565-2 DOCUMENTATION PACKAGE	71
-	1	1			1901048-1 TAG, IDENTIFICATION	67
-	2	2			21017-2 SCREW, DRIVE	66
-	1	1			18028-1 WASHER, FLAT, REG M3	64
-	1	1			1655785-9 SCR, BTN SKT HD CAP (M3 X 6)	62
-	1	1			1655785-1 SCR, BTN SKT HD CAP (M4 X 8)	60
-	4	4			1655783-2 SCR, CAP, SOC HD, LOW HEAD, M4 X 8	57
-	2	2			2-1655316-0 SCR, SKT HD CAP, M4 X 12.0	56
-	2	2			18030-2 NUT, HEX, REG M4	55
-	2	2			18030-1 NUT, HEX, REG M3	54
-	2	2			986965-1 NUT, LOCK, HEX, TORQUE (M4)	53
-	2	2			2-18032-2 SCR, SET, FLT POINT M3 X 10.0	52
-	1	1			1-1976055-4 STANDOFF, HOLD-DOWN	50
-	1	1			1-18030-0 NUT, HEX, REG M3.5	47
-	1	1			1752320-1 EF SYSTEM III APPLICATOR	46
-	1	1			1752308-1 RAM	44
-	1	1			2-1655785-3 SCR, BTN SKT HD CAP (M8 X 25)	41
-	1	1			993002-4 SCREW, SET, SFT TIP	40
-	1	1			1962043-1 PLUNGER, BALL, METRIC	39
-	1	1			1752309-2 RING, INSULATION CRIMP	38
-	2	2			18028-2 WASHER, FLAT, REG M4	33
-	6	6			18026-2 WASHER, SPRG LOCK, REG M4	32
-	2	2			3-1655785-3 SCR, BTN SKT HD CAP (M4 X 20)	31
-	2	2			1655785-2 SCR, BTN SKT HD CAP (M4 X 12)	29
-	1	1			1-690451-8 SPACER, STRIPPER	28
-	1	1			240639-1 STRIPPER (MACHINING)	27
-	2	2			1320906-1 STUD, THREADED	25
-	1	1			1752371-1 PLATE, STRIP GUIDE	24
-	2	2			22281-7 SPRING, DRAG	22
-	1	1			1752373-1 DRAG	20
-	2	2			1901259-6 GUIDE, LOWER STRIP	18
-	4	4			1655785-5 SCR, BTN SKT HD CAP (M6 X 12)	17
△	1	1			1752360-1 SPACER, HOLD-DOWN	13
△	1	1			240644-1 PLATE, REAR SHEAR	11
△	1	1			3-690495-6 PLATE, FRONT SHEAR	9
△	1	2			1338673-2 ANVIL, COMBINATION	8
△	1	1			1-690474-7 BLADE, SLUG	7
△	1	1			1901681-5 HOLDDOWN, TERMINAL	6
△	1	1			7-240641-1 SPACER	5
△	1	1			238009-1 BLOCK, FL CRIMPER SPACER	4
△	1	2			4-456134-6 CRIMPER, INSULATION F PREMIUM	3
△	1	1			455888-7 SPACER, CRIMPER	2
△	1	2			1-456409-5 CRIMPER, WIRE .120 "F" PREMIUM	1
-	77	71	-1		PART NO	
-	-	-	-		DESCRIPTION	

- △ RECOMMENDED SPARE PARTS.
- △ GREASE BEARING SURFACES LIGHTLY.
- 3. LUBRICATE DAILY PER THE APPLICATOR INSTRUCTION SHEET SUPPLIED WITH THE APPLICATOR.
- △ APPLY P/N 1-23419-5 LOCTITE® TO THREADS.
- △ APPLICATOR SPECIFIC DATA TO BE ENTERED INTO BLANK MEMORY CHIP AT ASSEMBLY.



DIMENSIONS: mm [ INCHES ]		TOLERANCES UNLESS OTHERWISE SPECIFIED:		DRAWN: D. WRIGHT 290C12007		CHECKED: N. E. DEMING 290C12007		APPROVED: N. E. DEMING 290C12007		NAME: Tyco Electronics Harrisburg, PA 17105-3608	
0 PLC	±	1 PLC	±0.1	PRODUCT SPEC:		APPLICATION SPEC:		SIZE: A		CAGE CODE: 00779	
2 PLC	±0.02	3 PLC	±0.005	MATERIAL:		FINISH:		SCALE: 3:5		SHEET 1 OF 1	
4 PLC	±0.0005	ANGLES:		CUSTOMER DRAWING:		REVISIONS:		REV: A		DATE:	

CUSTOMER VIEWABLE ASSEMBLY