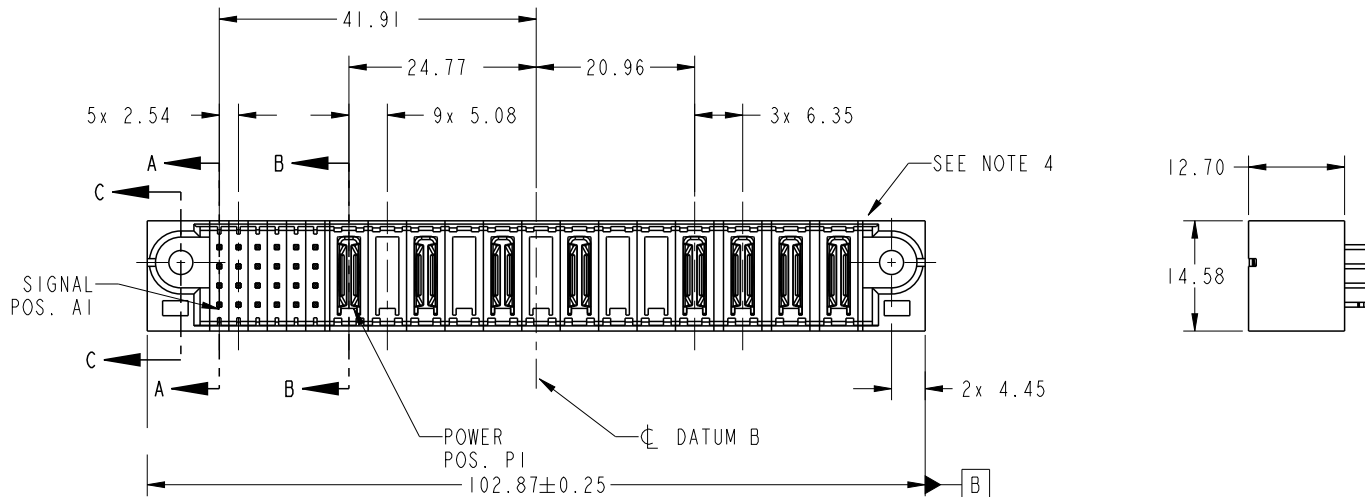


| | | | | | | | | | | | | | | | | | | | | | | | | |
|-----------------------|------------------|--------|---|---|---|---|---|-------|----|----|----|----|----|----|----|----|----|----|-----|-----|-----|-----|---|--|
| PRODUCT NO. | ROWS | SIGNAL | | | | | | POWER | | | | | | | | | | E2 | | | | | | |
| | | E1 | 1 | 2 | 3 | 4 | 5 | 6 | P1 | P2 | P3 | P4 | P5 | P6 | P7 | P8 | P9 | | P10 | P11 | P12 | P13 | | |
| 51952-272-- NOTE ③ | D C B A | | E | E | E | E | E | E | E | E | E | E | E | E | E | E | E | E | E | E | E | E | E | |



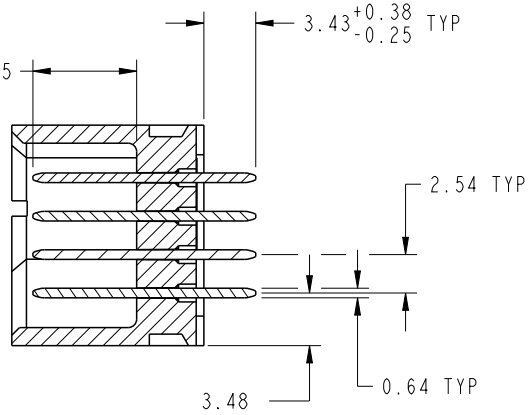
| CODE | DIM "M" MATING LENGTH | CONTACT TYPE |
|------|-----------------------|--------------|
| PA | [N/A] | POWER |
| E | [6.86] | SIGNAL |
| H | [5.59] | SIGNAL |
| HA | [N/A] | HOLD-DOWN |
| X | [N/A] | OMITTED |

| | | | | | | | | | | | | | | |
|---------------|---------------------------------------|-------|-------|------|----------------|------------|----------------|-----------------|-------------|----------|------------------------|-----|-----|--------------|
| spec ref | See Notes | | | dr | Luo Weller | 2014/01/10 | projection | MM ←→ | size | A4 | scale | 1:1 | | |
| tolerance std | TOLERANCES UNLESS OTHERWISE SPECIFIED | | | eng | Luo Weller | 2014/02/16 | | | ecn no | - | | | | |
| See Notes | | | | chr | - | - | | | | | | | | |
| surface | linear | 0.X | ±0.50 | appr | Pei-Ming Zheng | 2014/02/16 | product family | PwrBlade | rel level | Released | | | | |
| | | 0.XX | ±0.25 | | | | title | 24S + 9DCP + 4P | | dwg no | 51952-272 | | rev | A |
| | | 0.XXX | ±0.10 | | | | www.fci.com | cat. no. | &model_name | | Product - Customer Drw | | | sheet 1 of 4 |
| | angular | 0° | ±2° | | | | | | | | | | | |

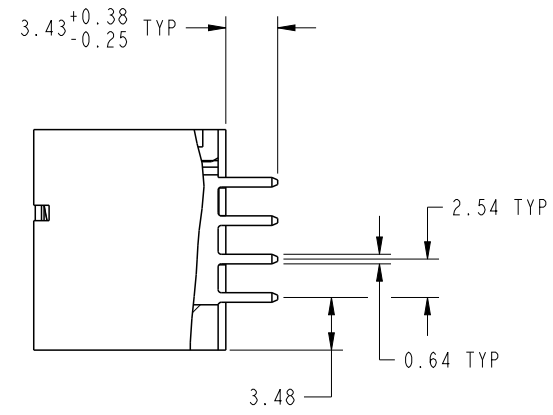
PRODUCT NUMBER

51952-272--
NOTE 3

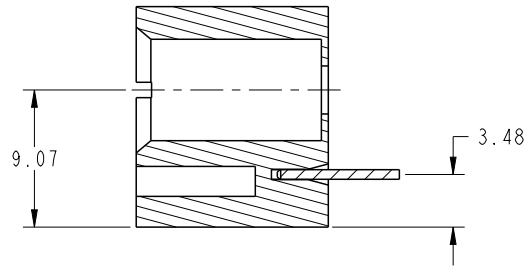
DIM "M" ±0.25



SECTION A-A
SCALE 2:1



SECTION B-B
SCALE 2:1

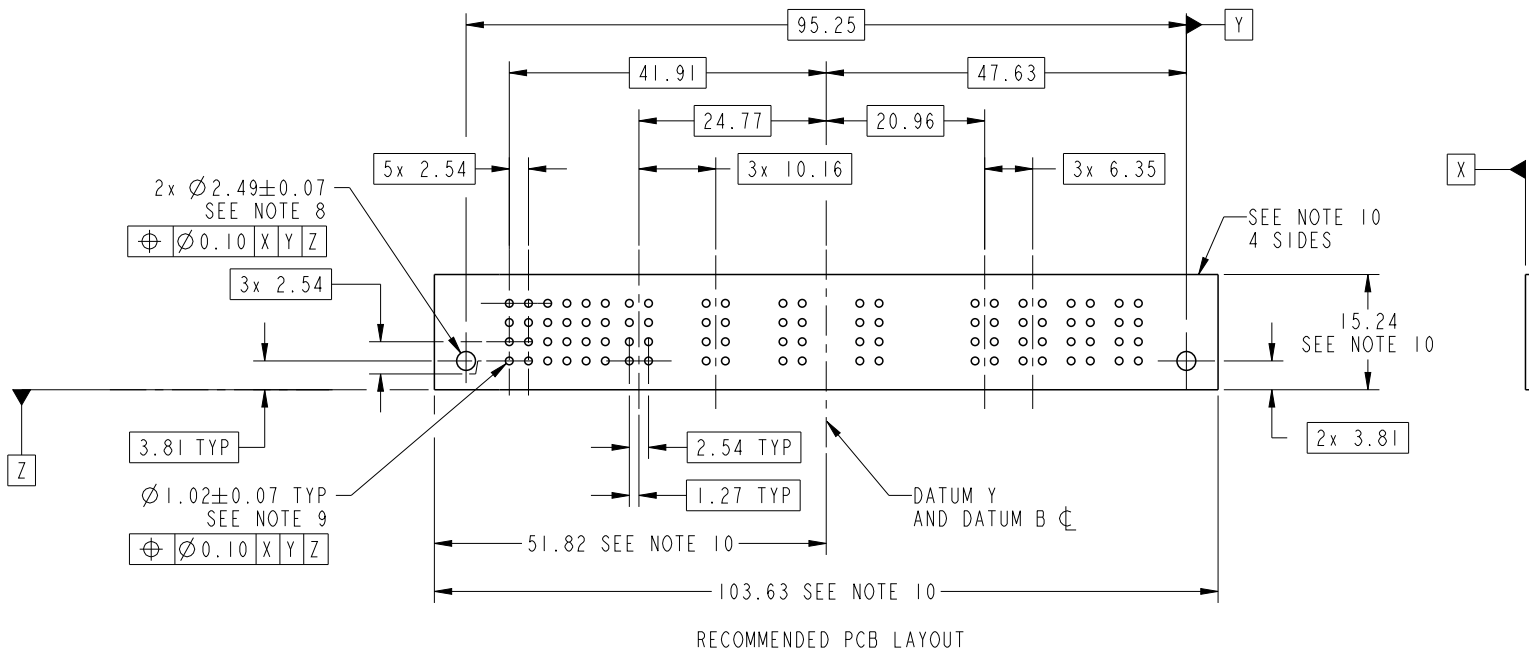


SECTION C-C
SCALE 2:1

| | | | | | | | | | |
|-------------|----------------|------------|-----------------|------------------------|-----------|--------------|-------|-----|---|
| dr | Luo Weller | 2014/01/10 | projection | MM | size | A4 | scale | 1:1 | |
| eng | Luo Weller | 2014/02/16 | | | ecn no | - | | | |
| chr | - | - | | | rel level | Released | | | |
| appr | Pei-Ming Zheng | 2014/02/16 | product family | PwrBlade | | | | | |
| | | title | 24S + 9DCP + 4P | | dwg no | 51952-272 | | rev | A |
| www.fci.com | | cat. no. | &model_name | Product - Customer Drw | | sheet 2 of 4 | | | |

PRODUCT NUMBER

51952-272__
NOTE 3



RECOMMENDED PCB LAYOUT

| | | | | | | | | |
|-------------|----------------|---|------------------------|----------|--------------|----------|-------|-----|
| dr | Luo Weller | 2014/01/10 | projection | MM | size | A4 | scale | 1:1 |
| eng | Luo Weller | 2014/02/16 | | | ecn no | - | | |
| chr | - | - | | | rel level | Released | | |
| appr | Pei-Ming Zheng | 2014/02/16 | product family | PwrBlade | | | | |
| | title | 24S + 9DCP + 4P VERTICAL SOLDER HEADER | | dwg no | 51952-272 | | rev | A |
| www.fci.com | cat. no. | &model_name | Product - Customer Drw | | sheet 3 of 4 | | | |

PRODUCT NUMBER

51952-272__
NOTE 3

NOTES:

1. DIMENSIONS AND TOLERANCES ARE IN ACCORDANCE WITH ASME Y14.5M, 1994 UNLESS OTHERWISE SPECIFIED.

CONNECTOR NOTES:

- ② HOUSING MATERIAL: UL 94 V-0 GLASS FILLED HIGH-TEMP THERMOPLASTIC
POWER CONTACT MATERIAL: COPPER ALLOY
SIGNAL PIN MATERIAL: COPPER ALLOY
- 3. SEE ITEM 1 & 2 IN PRINT 10064183 FOR PLATING SPEC OF 51952-272 AND 51952-272LF RESPECTIVELY.

④ MANUFACTURER'S NAME, DATE CODE AND OPTIONAL P/N TO APPEAR ON THIS SURFACE. THE MARK CAN BE OMITTED IF THERE IS NOT ENOUGH SPACE ON THIS SURFACE.

5. PRODUCT SPECIFICATION GS-12-149.
APPLICATION SPECIFICATION BUS-20-067.

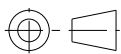
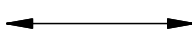
6. PACKAGED IN TRAYS.

PCB NOTES:

- 7. ALL HOLE DIAMETERS ARE FINISHED HOLE SIZE.
- 8. MOUNTING HOLES, WHERE APPLICABLE, ARE UNPLATED.

⑨ $\varnothing 1.151 \pm 0.025$ DRILLED HOLES PLATED WITH 0.008 MIN SnPb OR Sn OVER .001 [0.03] TO 0.08 Cu PLATING TO ACHIEVE $\varnothing 1.02 \pm 0.07$ HOLE.

⑩ CONNECTOR KEEP-OUT ZONE.

| | | | | | | | | | | | |
|-------------|----------------|------------|---|---|----------------|---|--------------|----------|-----------|-----|---|
| dr | Luo Weller | 2014/01/10 | projection  | MM  | size | A4 | scale | 1:1 | | | |
| eng | Luo Weller | 2014/02/16 | | | ecn no | - | | | | | |
| chr | - | - | | | product family | PwrBlade | rel level | Released | | | |
| appr | Pei-Ming Zheng | 2014/02/16 | FCj | | title | 24S + 9DCP + 4P VERTICAL SOLDER HEADER | | dwg no | 51952-272 | rev | A |
| www.fci.com | | cat. no. | &model_name | Product - Customer Drw | | | sheet 4 of 4 | | | | |



Copyright FCI.