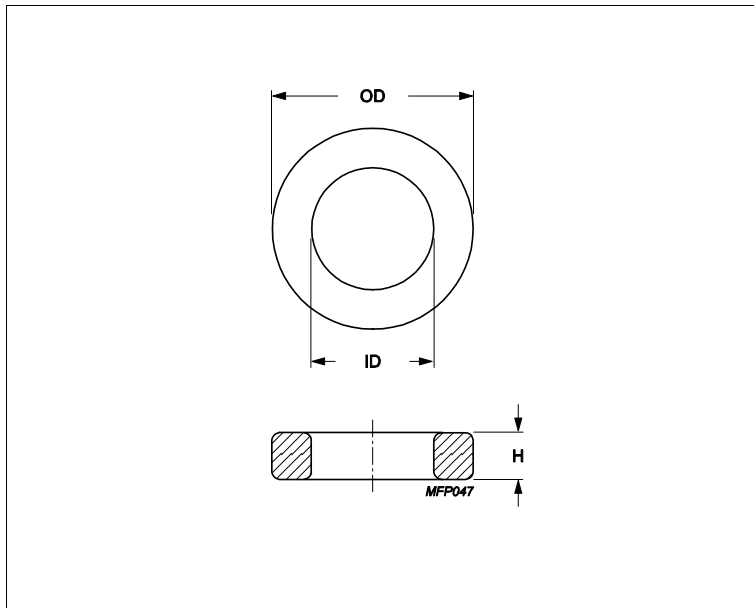


## Core **Toroid 10/6/4**



Effective parameters				
	Parameter	Value	Unit	
	$\Sigma(I/A)$	core factor (C1)	3.07	mm <sup>-1</sup>
	<b>Ve</b>	effective volume	188	mm <sup>3</sup>
	<b>Le</b>	effective length	24.1	mm
	<b>Ae</b>	effective area	7.8	mm <sup>2</sup>
	<b>m</b>	mass of core	≈ 0.95	g/pcs

Epoxy coating DC isolation voltage 1000.

Maximum operating temperature of the coating is 200°C.

### Dimensions (mm)

Cores	OD	ID	H	
<b>TX10/6/4</b>	10.65 max	5.45 min	4.55 max	Epoxy Coated

### Core data

Cores	Material	Al (nH/turns <sup>2</sup> )	Al tolerance	$\mu e$
<b>TX10/6/4</b>	3C94	941	± 25%	≈ 2300
<b>TX10/6/4</b>	3E10	4090	± 20%	≈ 10000
<b>TX10/6/4</b>	3E12	4910	± 30%	≈ 12000
<b>TX10/6/4</b>	3E26 (3E27-M7)	2860	± 25%	≈ 7000
<b>TX10/6/4</b>	3E27	2250	± 25%	≈ 5500
<b>TX10/6/4</b>	3E6 (3E10-M)	4090	± 30%	≈ 10000
<b>TX10/6/4</b>	3E65	2130	± 25%	≈ 5200