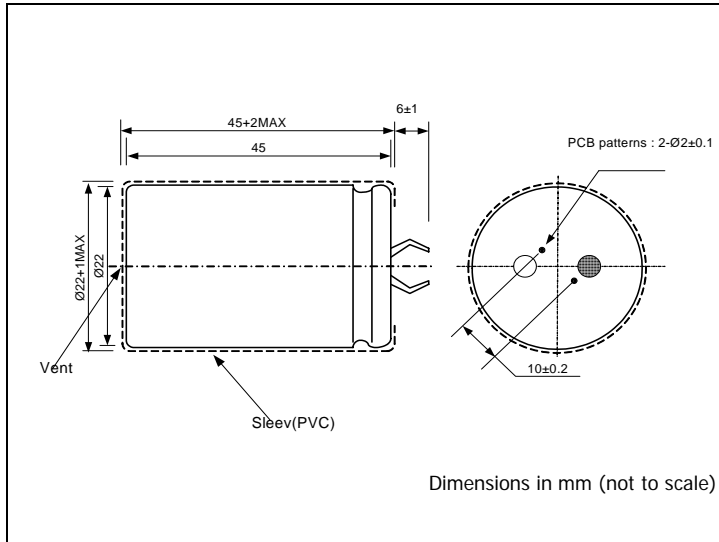


NESSCAP 220F/2.3V

PSHLR-0220C0-002R3

■ Features

- Cylindrical cell
- Radial lead terminals



■ Specifications

Rated Capacitance, C (DCC ⁽¹⁾ , 25°C)		220 Farads	(1) Discharging with constant current
Capacitance Tolerance		-10% / +20%	
Rated Voltage, V _R		2.3 V	
Surge Voltage		2.5 V	
Rated Current (25°C)		0.17 A	About 30 min discharge rate from 2.3V to 0.9V
Max. Current-continuous (25°C)		6.3 A	40sec discharge current from V _R to 0.5 V _R
Max. Stored Energy (at V _R)		581.9J (0.1616Wh)	
Specific Energy	Gravimetric	6.46 Wh/kg	
	Volumetric	9.45 Wh/l	
Specific Power ⁽²⁾ (at matched load)	Gravimetric	2.65 kW/kg	(2) Power density at which one-half the energy of the discharge is in the form of electricity and one-half is in heat.
	Volumetric	3.87 kW/l	
Maximum Internal Resistance (ESR)	AC (1kHz)	15 mΩ	
	DC (20A)	20 mΩ	
Dimensions		φ 22 x / 45 mm	
Volume		17.1 ml	
Weight		25 g	
Operating temperature range ⁽³⁾		-25 ~ 60 °C	(3) C < 30% and ESR < 5 times of initially measured value at 25°C, respectively
Storage temperature range		-30 ~ 70 °C	
Max. Leakage Current, L _C (72h, 25°C)		1.0 mA	
Life Time at RT ⁽⁶⁾		10 years	(6) C < 30% and ESR < 3 times of initially measured value, respectively and LC < specified value
Cycle Life (25°C) ^{(6), (7)}		100,000 cycles	(7) 1 cycle: charging to V _R for 40s, constant voltage charging for 10s, discharging to 1/2V _R for 40s, rest for 10s