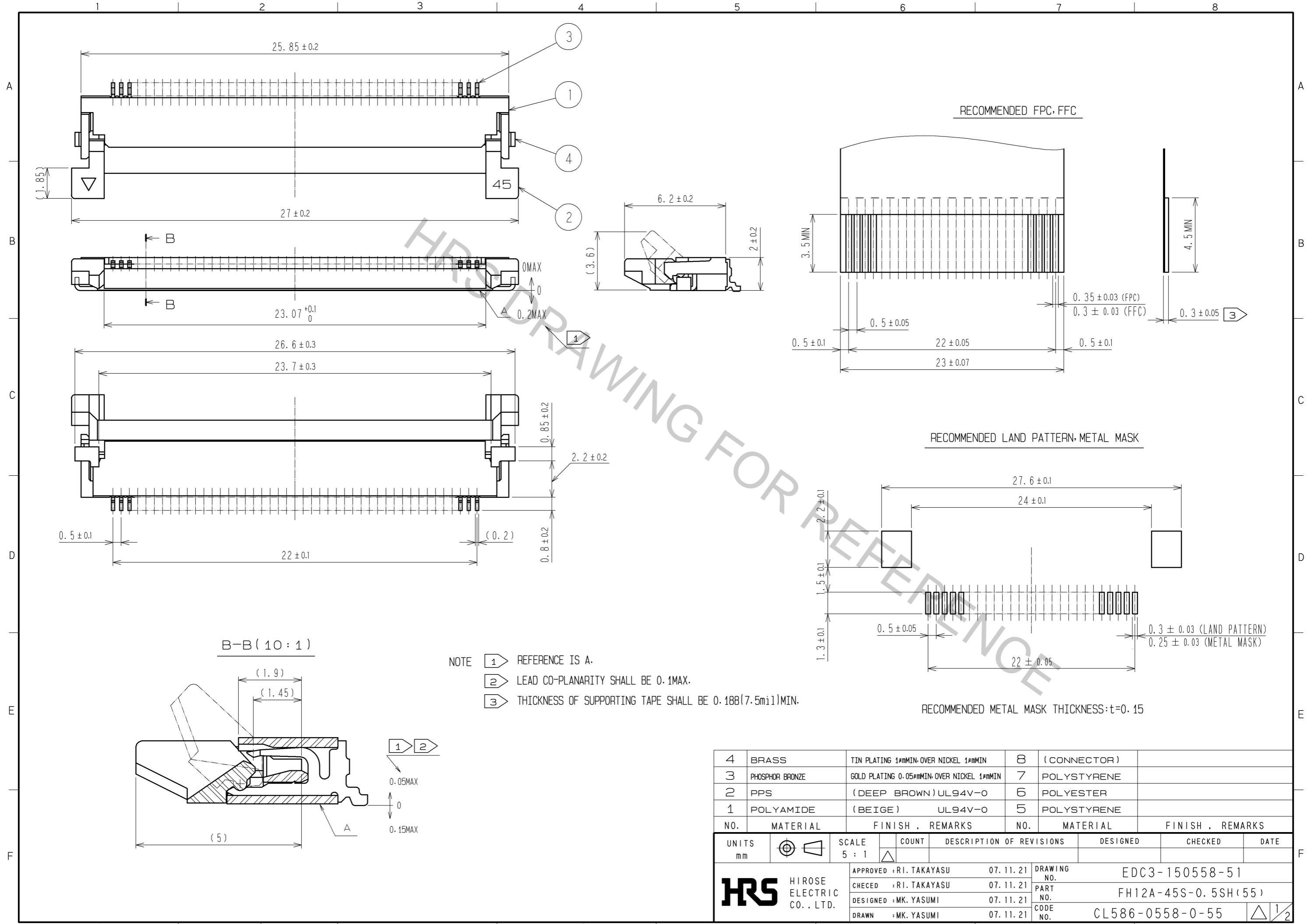
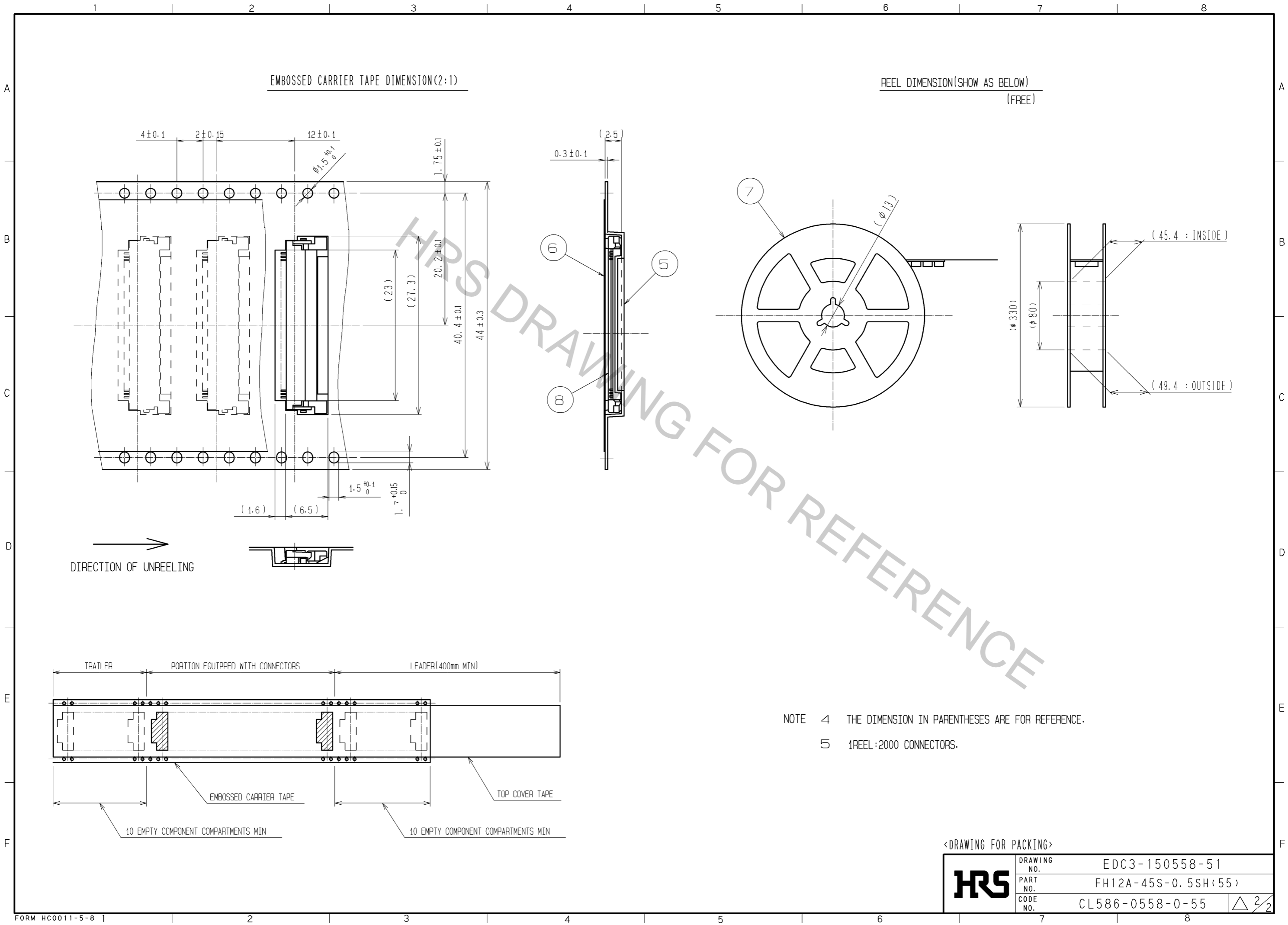


Apr.1.2017 Copyright 2017 HIROSE ELECTRIC CO., LTD. All Rights Reserved.



Apr.1.2017 Copyright 2017 HIROSE ELECTRIC CO., LTD. All Rights Reserved.



<DRAWING FOR PACKING>

<b>HRS</b>	DRAWING NO.	EDC3-150558-51
	PART NO.	FH12A-45S-0.5SH(55)
	CODE NO.	CL586-0558-0-55
		$\triangle$ 2/2