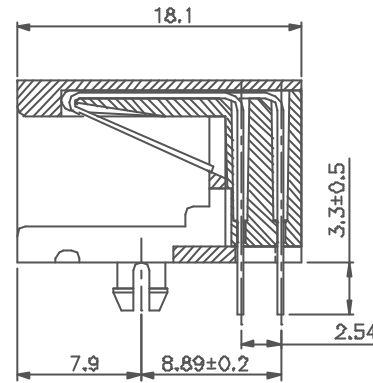
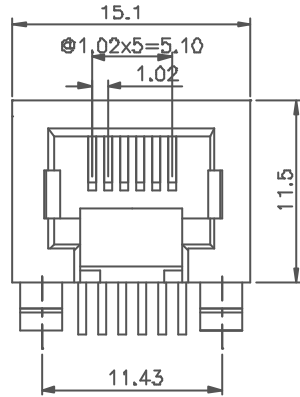
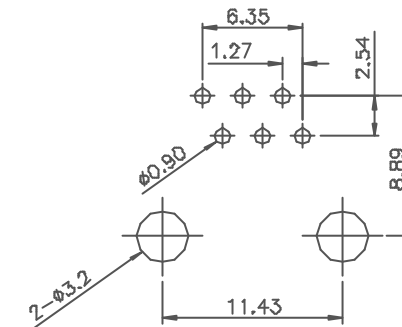
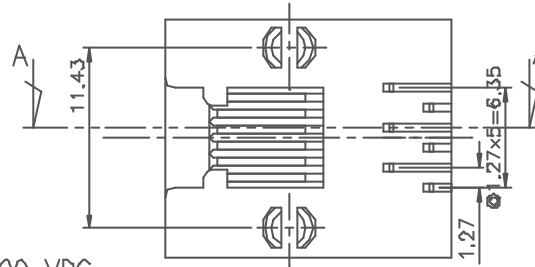


REVISION RECORD				
REV	ECO	DESCRIPTION	DRFT	DHGD



SECTION A-A



PC BOARD LAYOUT COMPONENT SIDE SHOWN

NOTES:

ELECTRICAL:

- VOLTAGE RATING : 125 VAC RMS.
- CURRENT RATING : 1.5 AMP.
- CONTACT RESISTANCE : 35 MILLIOHMS MAX.
- INSULATION RESISTANCE: 1000 MEGOHMS MIN @ 500 VDC.
- DIELECTRIC STRENGTH : 1000 VAC RMS 60HZ, 1MIN.

MECHANICAL:

- HOUSING MATERIAL : GLASS FILLED POLYESTER UL94V-0.
- CONTACT MATERIAL : PHOSPHOR BRONZE t=0.35mm.
- PLATING : 1: CONTACT AREA- SELECTIVE GOLD PLATING.
2: TAILS- 150u" TIN-LEAD MIN OVER 50u" NICKEL.
- OPERATING LIFE : 750 CYCLES MIN.
- PCB RETENTION PRE-SOLDER : 1 LB MIN.
- PCB RETENTION POST-SOLDER: 10 LBS MIN.

ENVIRONMENTAL:

- STORAGE : -40°C TO +85°C.
- OPERATION: 0°C TO 70°C.

MATES WITH MODULAR PLUG CONFORMING TO FCC PART 68, SUBPART F.

CUL FILE NO. E163191

PART NUMBER: E5386-PO02FX

- 1- 3u" 2- 6u"
- 3-15u" 4-30u"
- 5-50u"

DIM (INCH) TOLERANCES EXCEPT AS NOTED		DFTD Garvey DATE 9/18/00* CHKD JACK DATE 8/18/00* WFO LMJ DATE 8/18/00* APPV LYUAN DATE 8/18/00*
.0 ± 0.2 .00 ± 0.15 .000 ± 0.075	±	MATERIAL : QTY : FINISH : SCALE : 3:1
ANGLES ± THIRD ANGLE PROJECTION	±	DID NOT SCALE DRAWING

FULL RISE ELECTRONIC CO., LTD

TITLE
11.5 SIDE ENTRY, 外八内六, 加深型

DRAWING NO. GE533A2B SIZE A3 REV 0
/PART NO. SEE NOTE

SHEET 1 OF 1