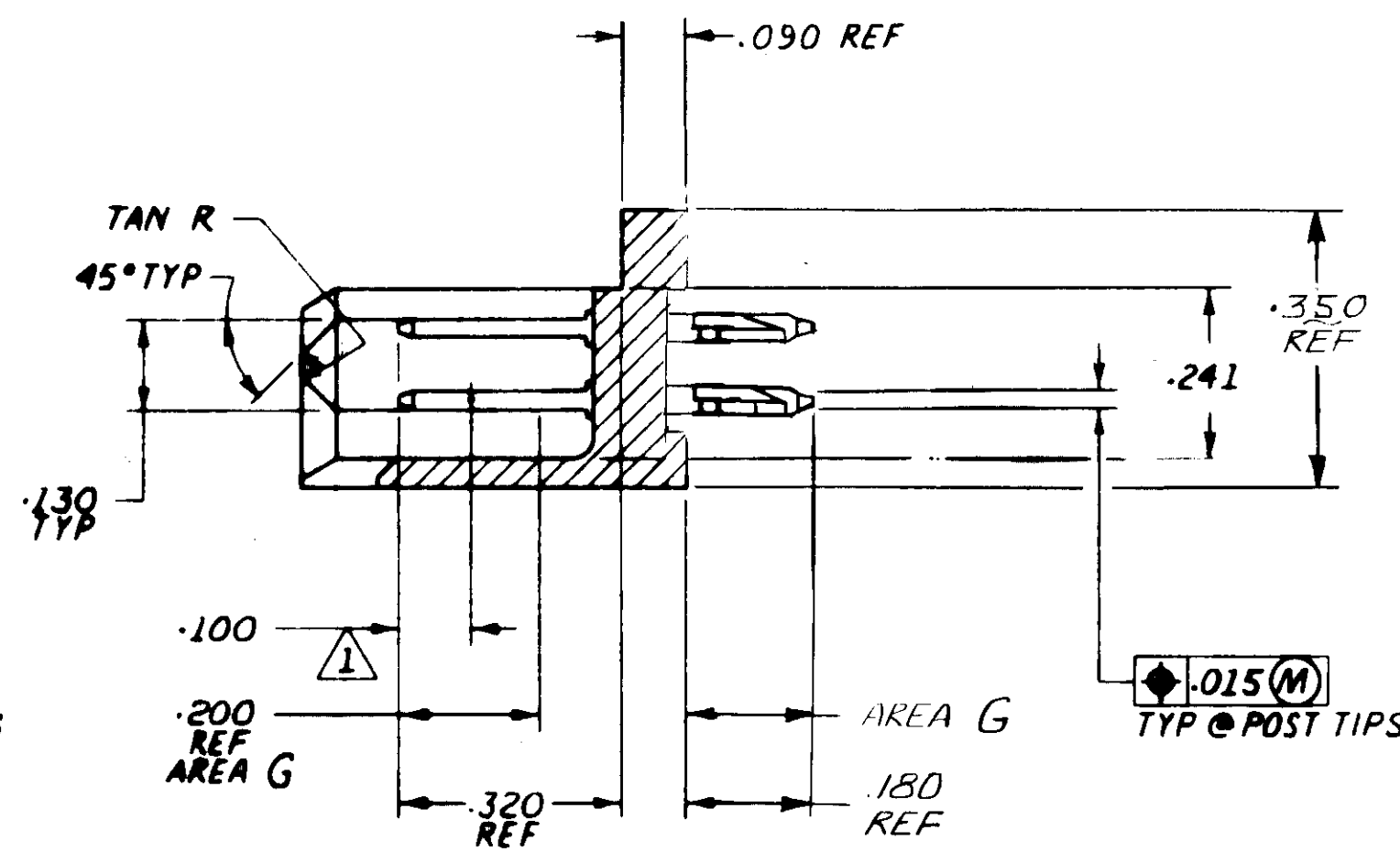
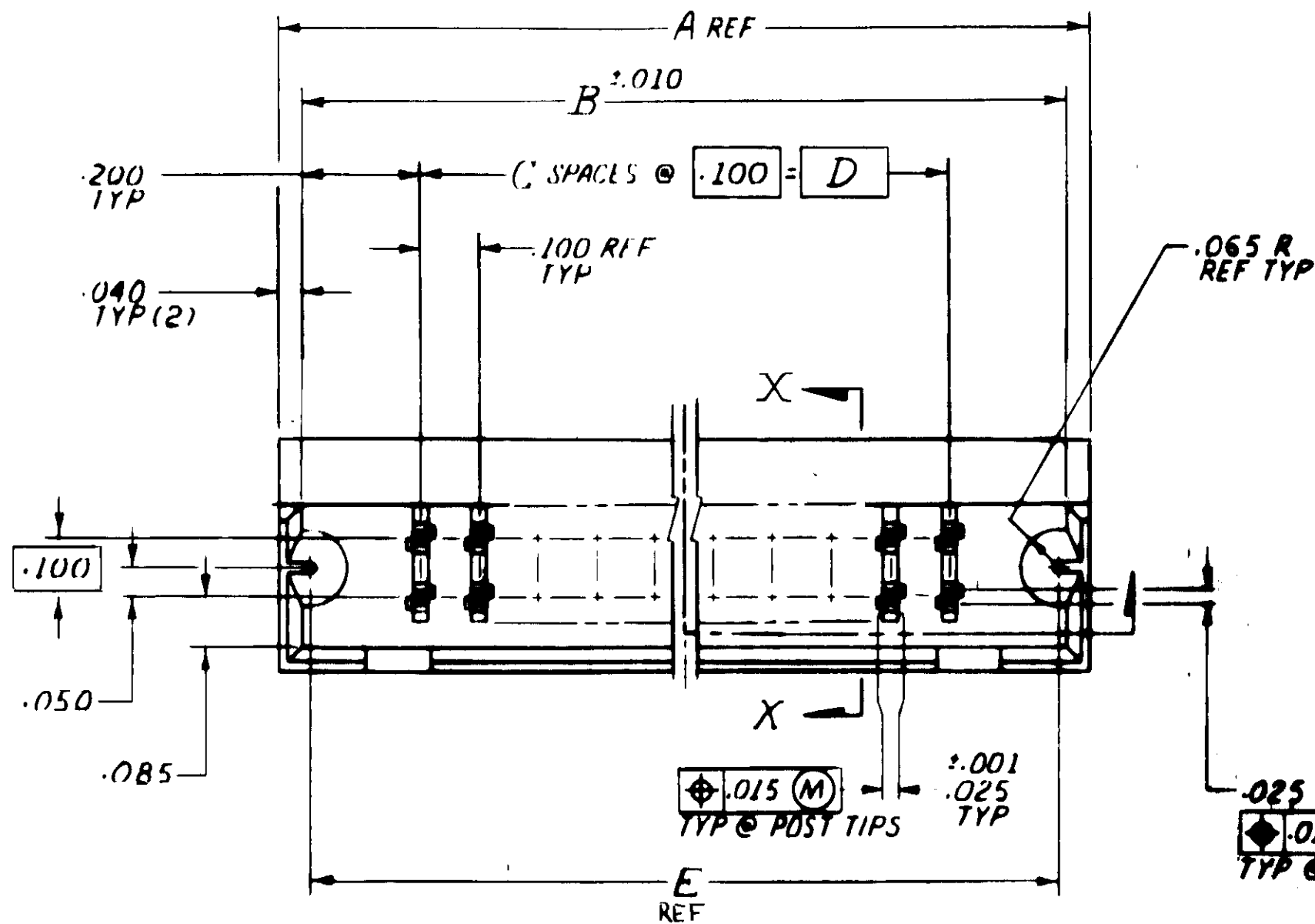
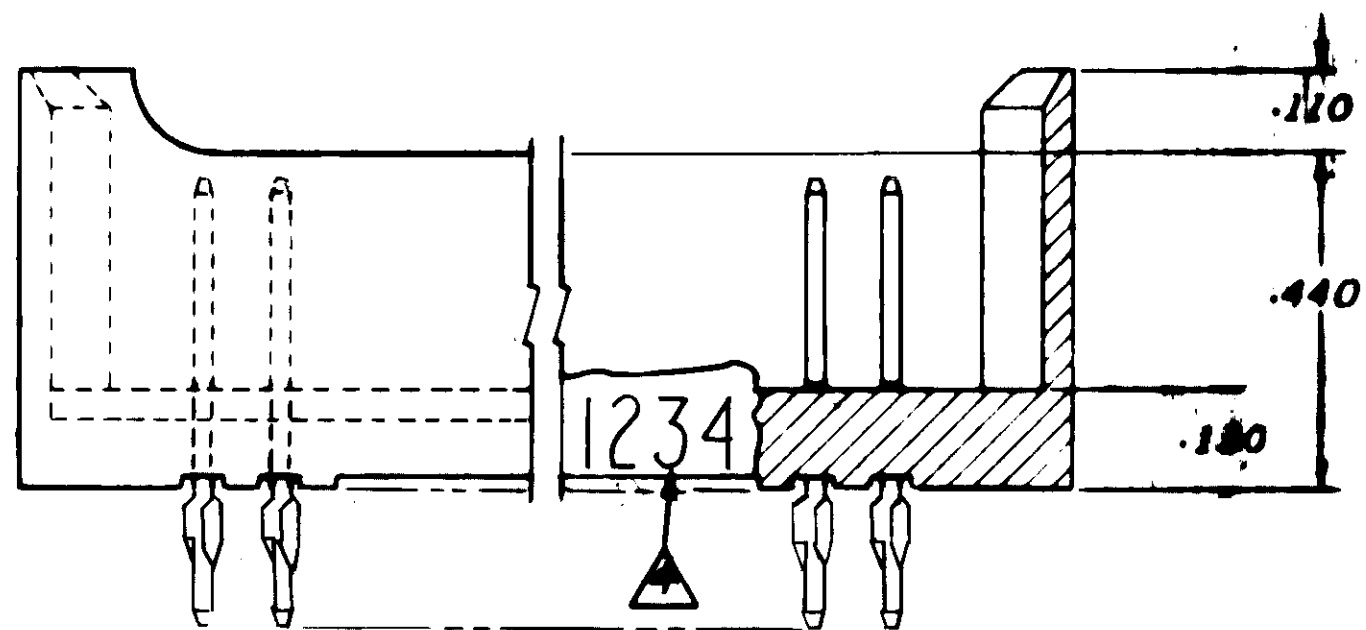


THIS DRAWING IS UNPUBLISHED. RELEASED FOR PUBLICATION 19  
 © COPYRIGHT 19 BY AMP INCORPORATED, HARRISBURG, PA. ALL INTERNATIONAL RIGHTS RESERVED. AMP PRODUCTS MAY BE COVERED BY U.S. AND FOREIGN PATENTS AND/OR PATENTS PENDING.

REVISIONS					
P	F	ZONE/LTR	DESCRIPTION	DATE	APPROVED
			C1 ECO-12-019332	05NOV12	JO



SECT X-X



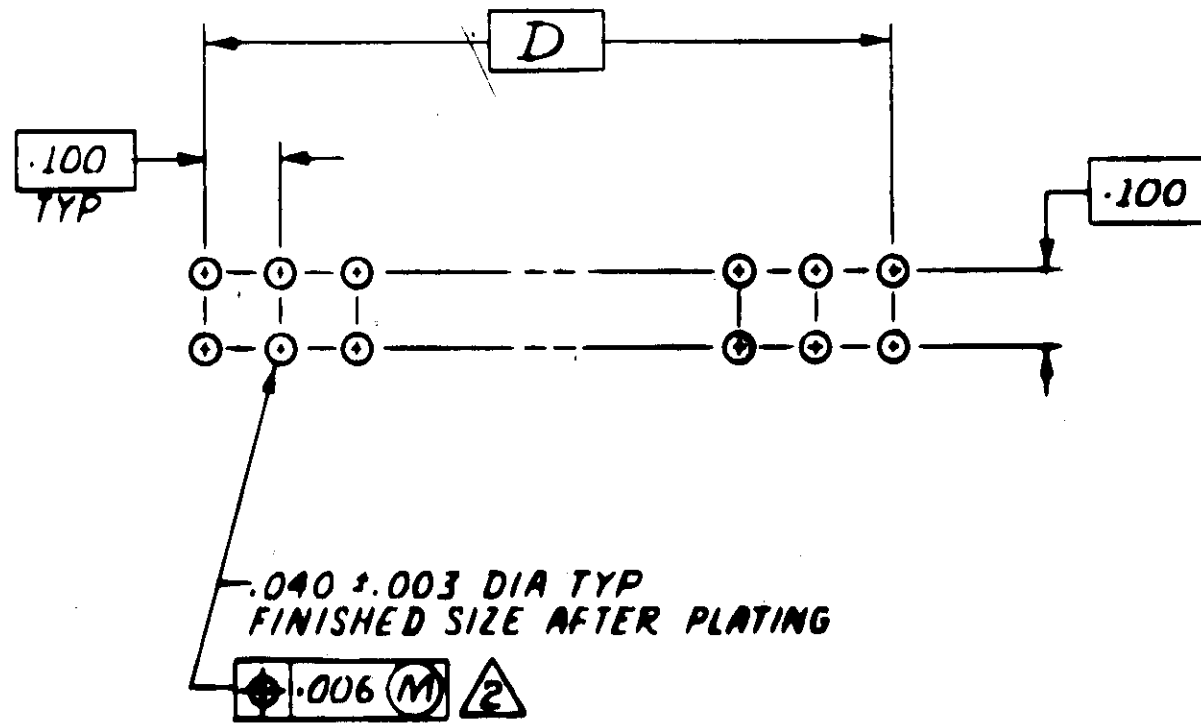
⌀.015 (M)  
TYP @ POST TIPS

UNLESS OTHERWISE SPECIFIED DIMENSIONS ARE IN INCHES. TOLERANCES ON: DECIMALS ±.005 ANGLES ±		CONTRACT NO		PART NO	
MATERIAL HSG: FLAME RETARDANT THERMOPLASTIC, COLOR-BLACK POST: COPPER ALLOY		DP 8-20-85 Brendan L. Martin CHK 9/10/85 Dink Dixon APPD 9/10/85 Dink Dixon APPD 9/11/85 DA Berry		TE Connectivity	
FINISH POST: 3		DSGN APPD		NAME ASSEMBLY, HEADER, MOD II, DBL ROW, .100x.100 E, .025 SQ COMPLIANT PIN POSTS, FOR .093 NOM & THICKER BOARDS	
		OTHER APPD		SIZE C FSCM NO 00779 DRAWING NO 533737	
				SCALE 4:1 SHEET 1 OF 2	

533737

THIS DRAWING IS UNCLASSIFIED AND RELEASED FOR PUBLICATION DATE 19  
 (C) Copyright 1985 by AMP Incorporated, Harrisburg, Pa. All international rights reserved. AMP product may be covered by U.S. and foreign patents and/or patents pending.

REVISIONS						
P	F	ZONE	LTR	DESCRIPTION	DATE	APPROVED
				SEE SHEET 1		



RECOMMENDED PC BOARD LAYOUT

- 1 POINT OF MEASUREMENT FOR PLATING THICKNESS
- 2 RECOMMENDED DRILL SIZE: 1.15 mm - .0452 ± .0010
- 3 DUPLEX PLATING: .000030 GOLD IN CONTACT AREA G, .000100-.000200 BRIGHT TIN-LEAD IN AREA H, ALL OVER .000050 NICKEL
- 4 RECESSED DATE DATE.
- 5 DUPLEX PLATING: .000030 GOLD IN AREA G, .000100-.000200 MATTE TIN IN AREA H, ALL OVER .000050 NICKEL
- 6 ROHS 2002/95/EC COMPLIANT

5	2.770	2.400	24	2.800	2.880	50	5-533737-1
3	2.770	2.400	24	2.800	2.880	50	533737-1
PLATING	E	D	C	B	A	NO. OF POSN	PART NO

UNLESS OTHERWISE SPECIFIED DIMENSIONS ARE IN INCHES. TOLERANCES ON: DECIMALS: .005 ANGLES: 1	CONTRACT NO		TE Connectivity NAME ASSEMBLY, HEADER, MOD II, DBL ROW, .100x.100 E, .025 SQ COMPLIANT PIN POSTS FOR .093 NOM & THICKER BOARDS				
	DR: <i>Bunlach Martin</i> 8-20-85 CK: <i>Dick Dixon</i> 9/10/85 APPD: <i>Dick Dixon</i> 9/10/85 APPD: <i>D.A. Berry</i> 9/11/85						
MATERIAL SEE SHEET 1	DESIGN APPD		SIZE	FSCM NO	DRAWING NO		
FINISH POST: SEE TABLE	OTHER APPD		C	00779	533737		
			SCALE 4:1			SHEET 2	

533737