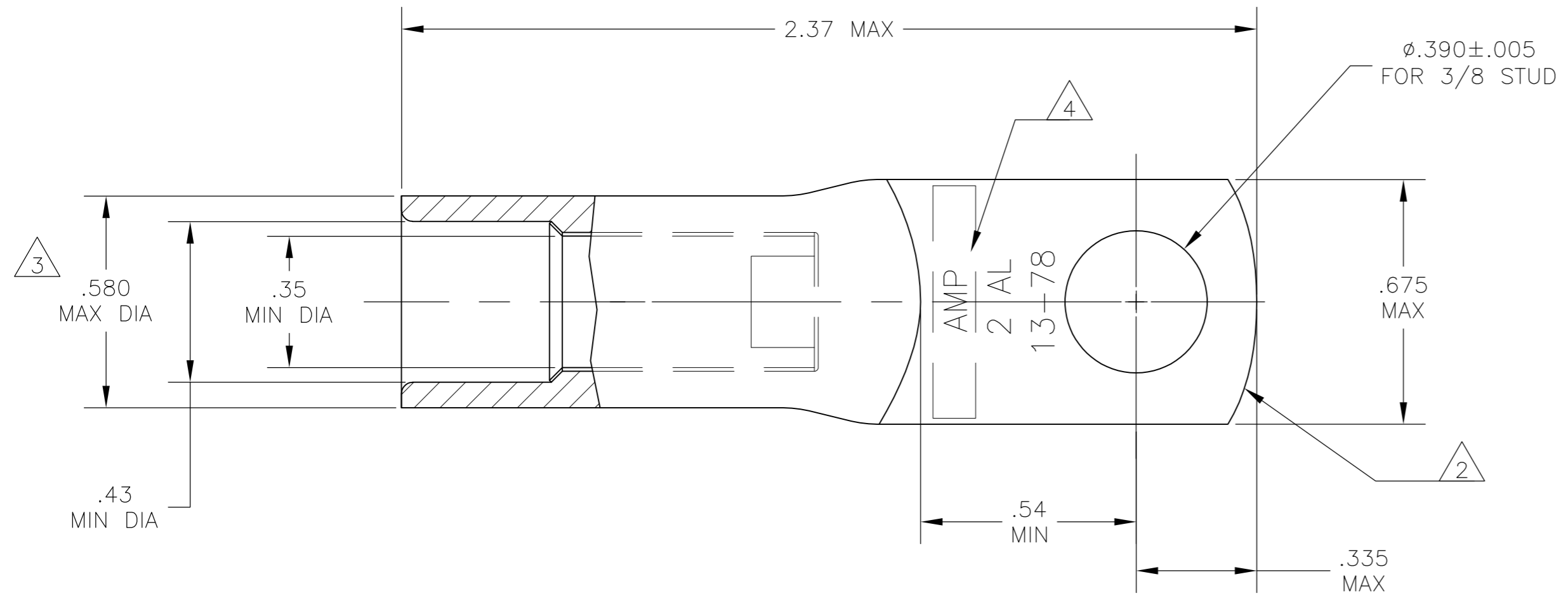
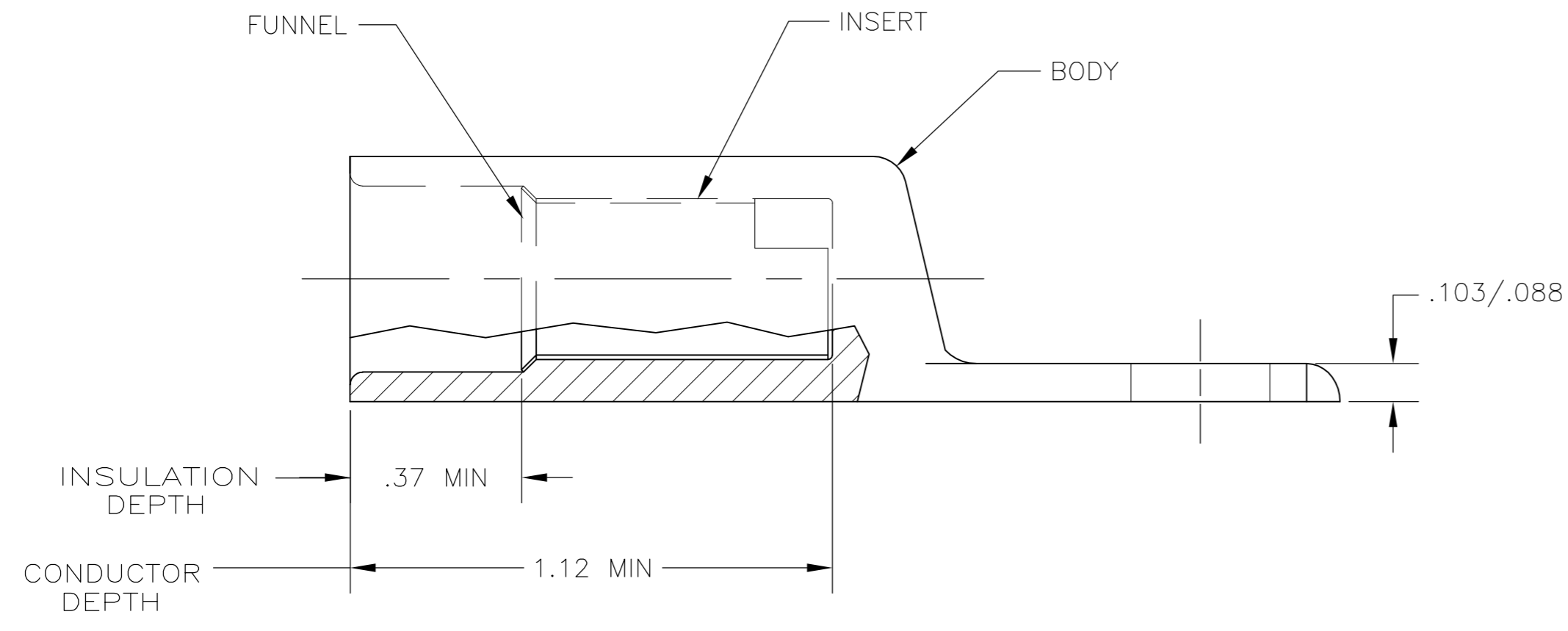


THIS DRAWING IS UNPUBLISHED. RELEASED FOR PUBLICATION
 © COPYRIGHT - By - ALL RIGHTS RESERVED.

LOC	DIST	REVISIONS					
		P	LTR	DESCRIPTION	DATE	DWN	APVD
G	86	F		REV PER ECO-12-008339	21JUN12	PY	BW



- 1 WIRE INSULATION: .380-417 DIA
- 2 THE TONGUE RADIUS FEATURE IS NOT A TOOLING CONTROLLED DIMENSION AND MAY NOT BE A TRUE RADIUS.
- 3 .020 FLASH PERMITTED ON WIRE BARREL DUE TO IMPACTING
- 4 STAMP "AMP 2 AL 13-78" SIZE AND LOCATION APPROX AS SHOWN
5. STUD HOLES SHALL HAVE NO DETACHABLE BURRS THAT WOULD RESULT IN EXPOSED BASE METAL



BODY: COPPER ASTM-B187 ANNEALED TIN PL PER ASTM B-545 .000150 MIN THK INSERT & FUNNEL: BRASS ASTM B36 NICKEL PL SAE AMS QQ-N-290A, DATED JULY 2000, .000100 MIN THK	696838-1
MATERIAL & FINISH	PART NO

THIS DRAWING IS A CONTROLLED DOCUMENT.		DWN	JR RUTH	13OCT05	 TE Connectivity	
DIMENSIONS: INCHES		CHK	MJ SPICER	13OCT05		
TOLERANCES UNLESS OTHERWISE SPECIFIED:		APVD	MJ SPICER	13OCT05		
0 PLC ± - 1 PLC ± - 2 PLC ± - 3 PLC ± .008 4 PLC ± - ANGLES ± - FINISH SEE TABLE		PRODUCT SPEC	NAME			WIRE TERMINAL, RING TONGUE SEALED COPALUM WIRE SIZE: 2 AL
MATERIAL	SEE TABLE	WEIGHT	34 GRAMS	SCALE	3:1	
		CUSTOMER DRAWING	SIZE	A2	CAGE CODE	00779
			DRAWING NO	C=696838		RESTRICTED TO
			SCALE	3:1	SHEET	1 of 1
			REV	F		