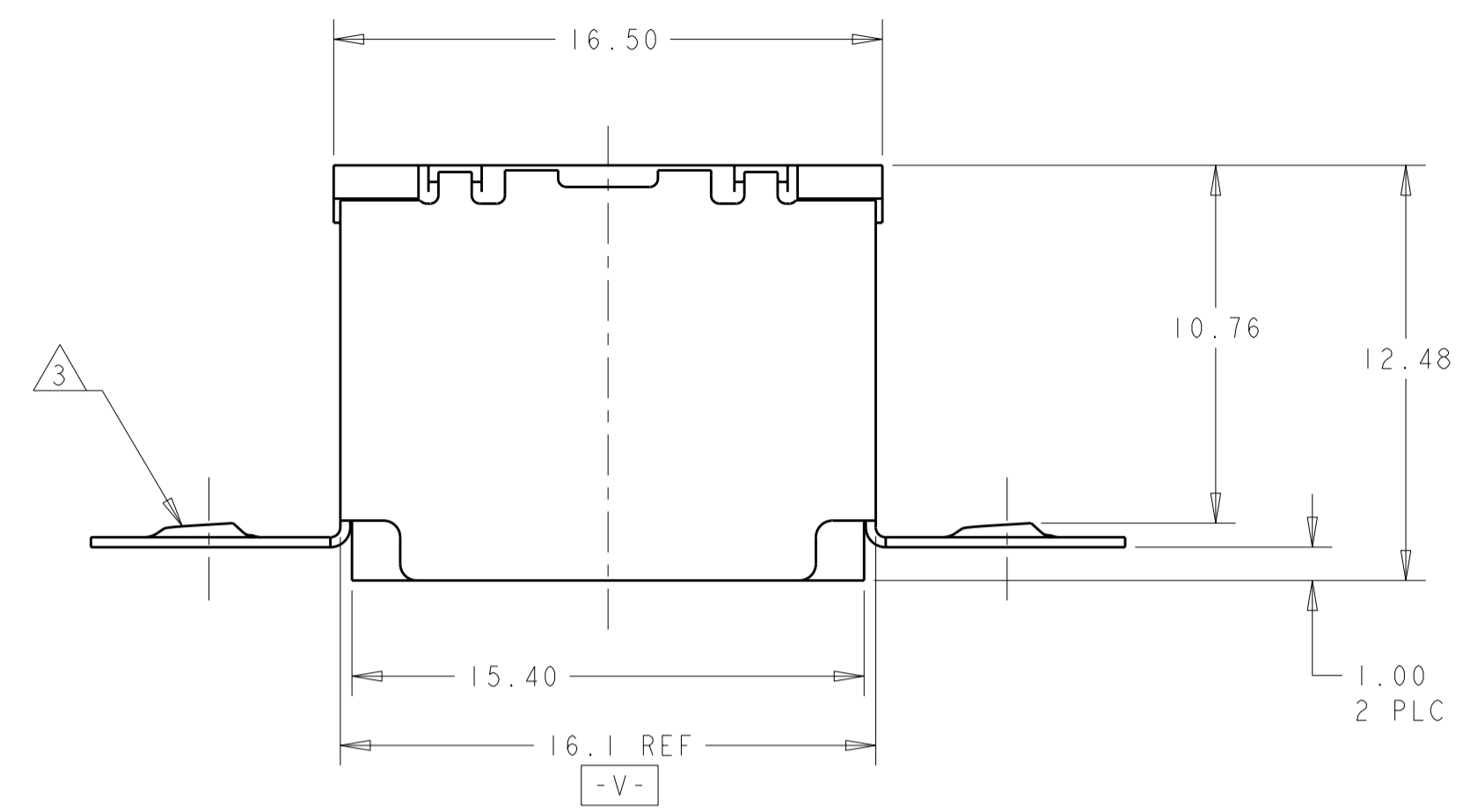
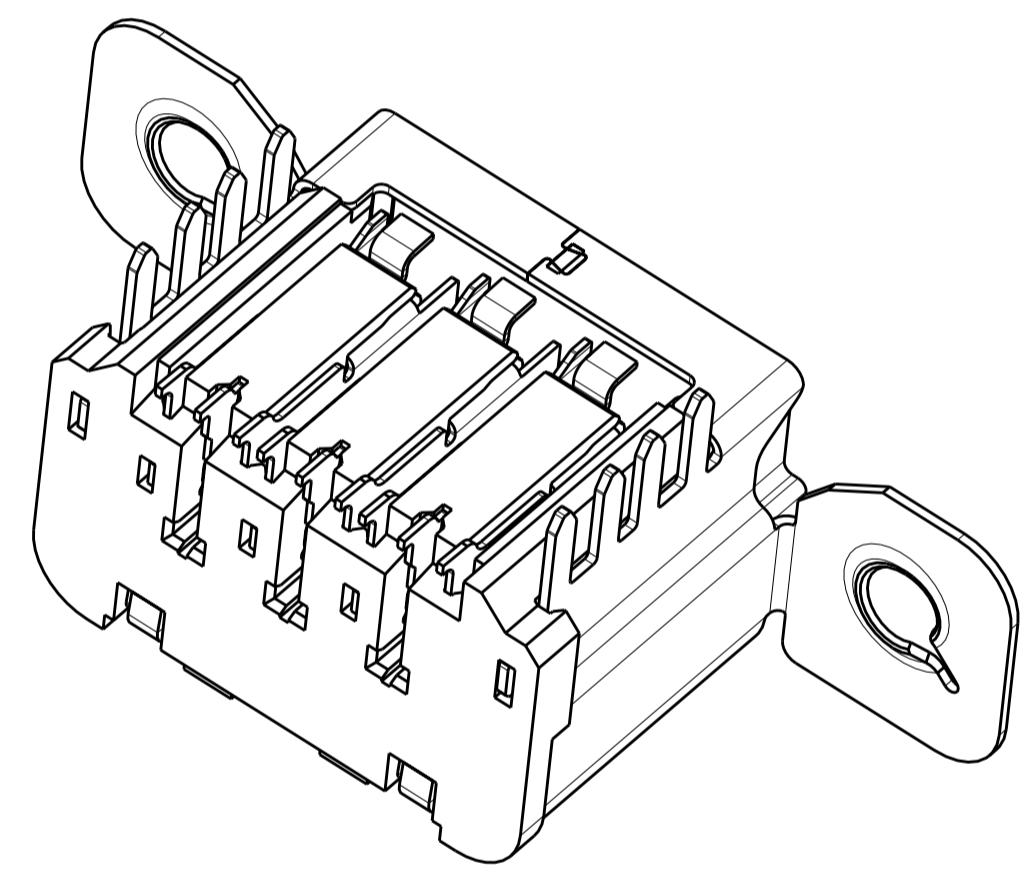
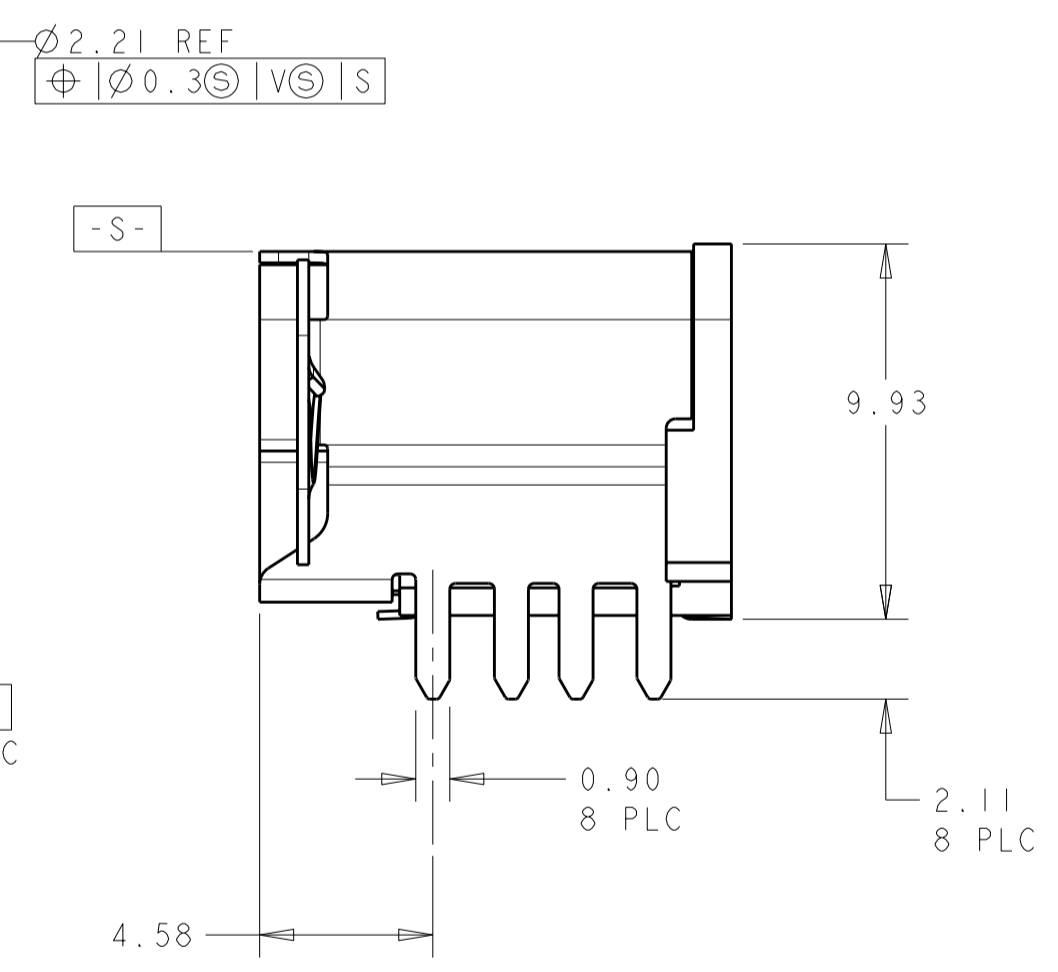
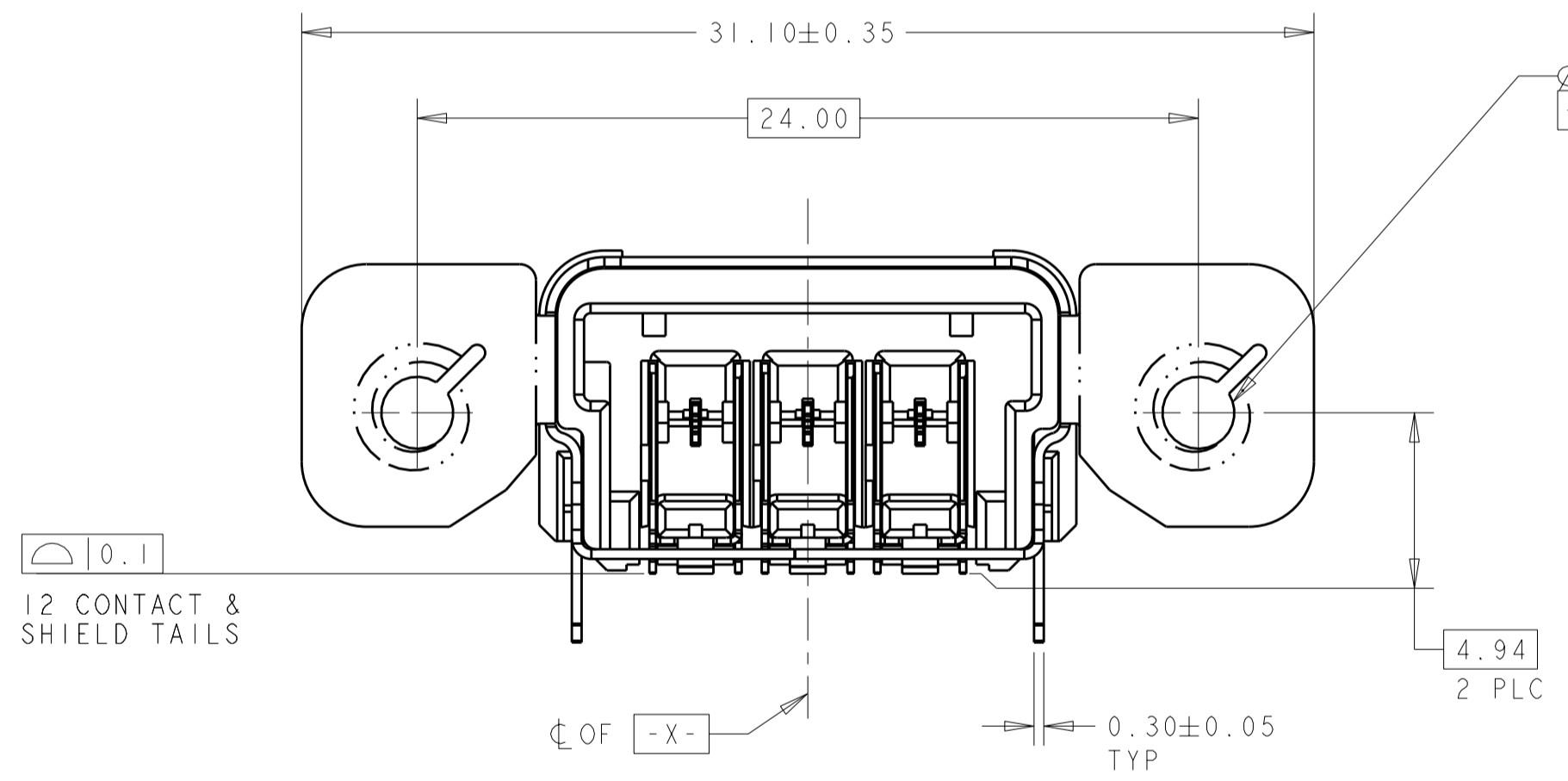


THIS DRAWING IS UNPUBLISHED. RELEASED FOR PUBLICATION 20
 © COPYRIGHT 20 BY TYCO ELECTRONICS CORPORATION. ALL RIGHTS RESERVED.

LOC	DIST	REVISIONS			
P	LTR	DESCRIPTION	DATE	DWN	APVD
AJ	00				
	E	REVISED PER ECO-07-019139	14AUG2007	KS	JC
	F	REVISED PER ECO-08-000610	31JAN2008	REH	JJC
	G	REVISED PER ECO-08-013675	18APR2008	DKS	JJC
	H	REVISED PER ECO-09-010644	28MAY2009	DW	KW



- 1 MATERIAL:
 HOUSING: LCP UL94V0, COLOR - BLACK
 CONTACTS, SHIELDS - COPPER ALLOY
 SHELL - STEEL
- 2 PLATING:
 CONTACTS:
 CONTACT AREA - CONFORMS TO THE REQUIREMENT OF EIA/ECA-364-1000.01A (CONTROLLED ENVIRONMENT APPLICATIONS), AND TYCO ELECTRONICS PRODUCT SPECIFICATION 108-2324
 SOLDER TAIL - Sn OVER Ni
 SHIELDS: Sn OVER Ni
 SHELL: Sn OVER Ni OVER Cu
- 3 FEATURES ACCEPT 4-40 THREAD SCREWS

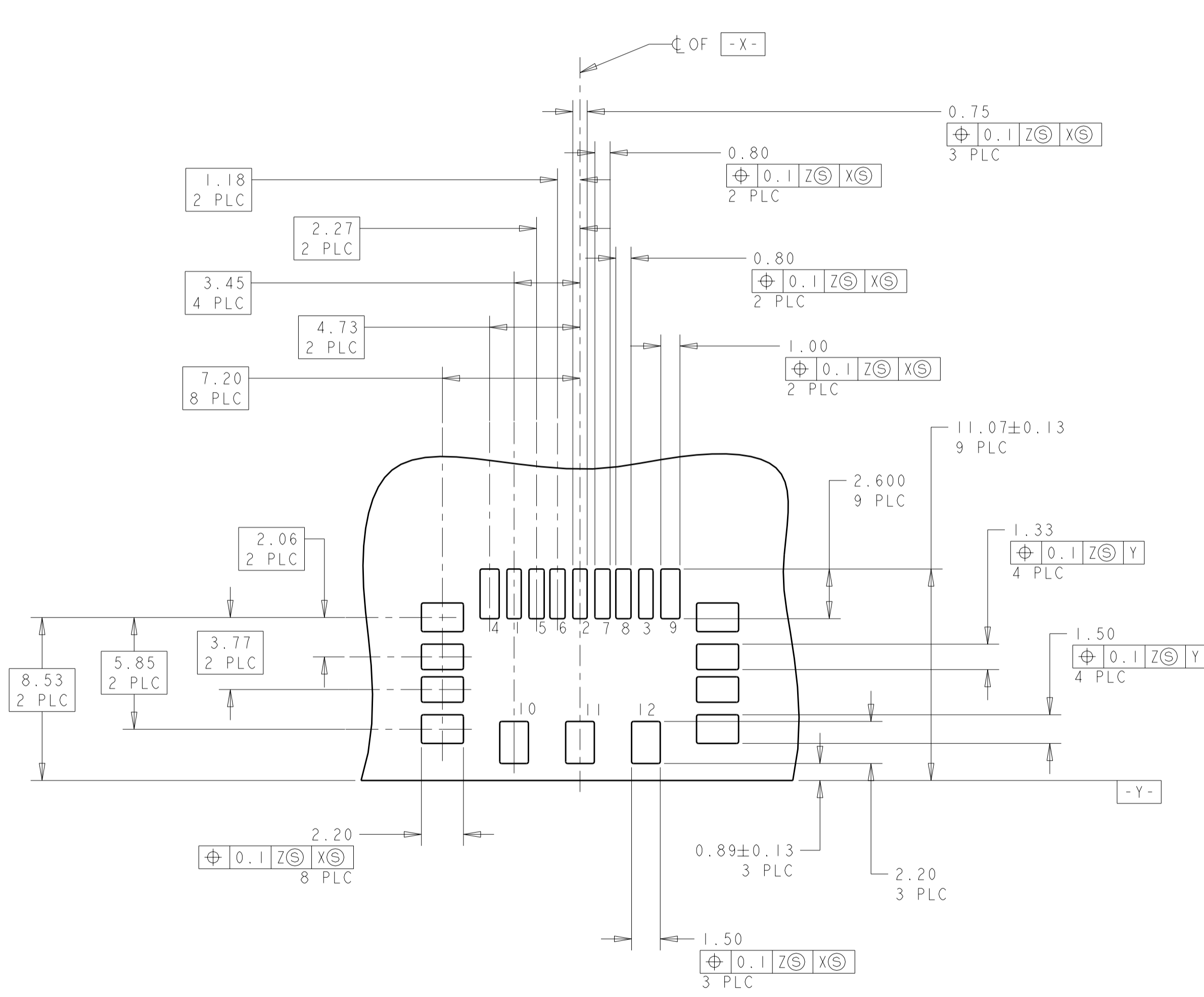


1274824-2
 PART NUMBER

THIS DRAWING IS A CONTROLLED DOCUMENT FOR TYCO ELECTRONICS CORPORATION. IT IS SUBJECT TO CHANGE AND THE CONTROLLING ENGINEERING ORGANIZATION SHOULD BE CONTACTED FOR THE LATEST REVISION.		DWN JJ CONSOLI 06DEC2006	Tyco Electronics Harrisburg, PA 17105-3608	
DIMENSIONS: mm		CHK JJ CONSOLI 24JAN2007	NAME PCB JACK, 3 PORT QSL, RIGHT ANGLE, THROUGH-HOLE, w/PANEL FLANGES	
TOLERANCES UNLESS OTHERWISE SPECIFIED: 0 PLC ±- 1 PLC ±- 2 PLC ±0.13 3 PLC ±0.013 4 PLC ±- ANGLES ±- FINISH		APVD JJ CONSOLI 24JAN2007	SIZE A200779	
MATERIAL		PRODUCT SPEC 108-2324	DRAWING NO 1274824	
1		APPLICATION SPEC 114-5397	RESTRICTED TO -	
2		WEIGHT -	SCALE 5:1 SHEET 1 OF 5 REV H	
3		CUSTOMER DRAWING		

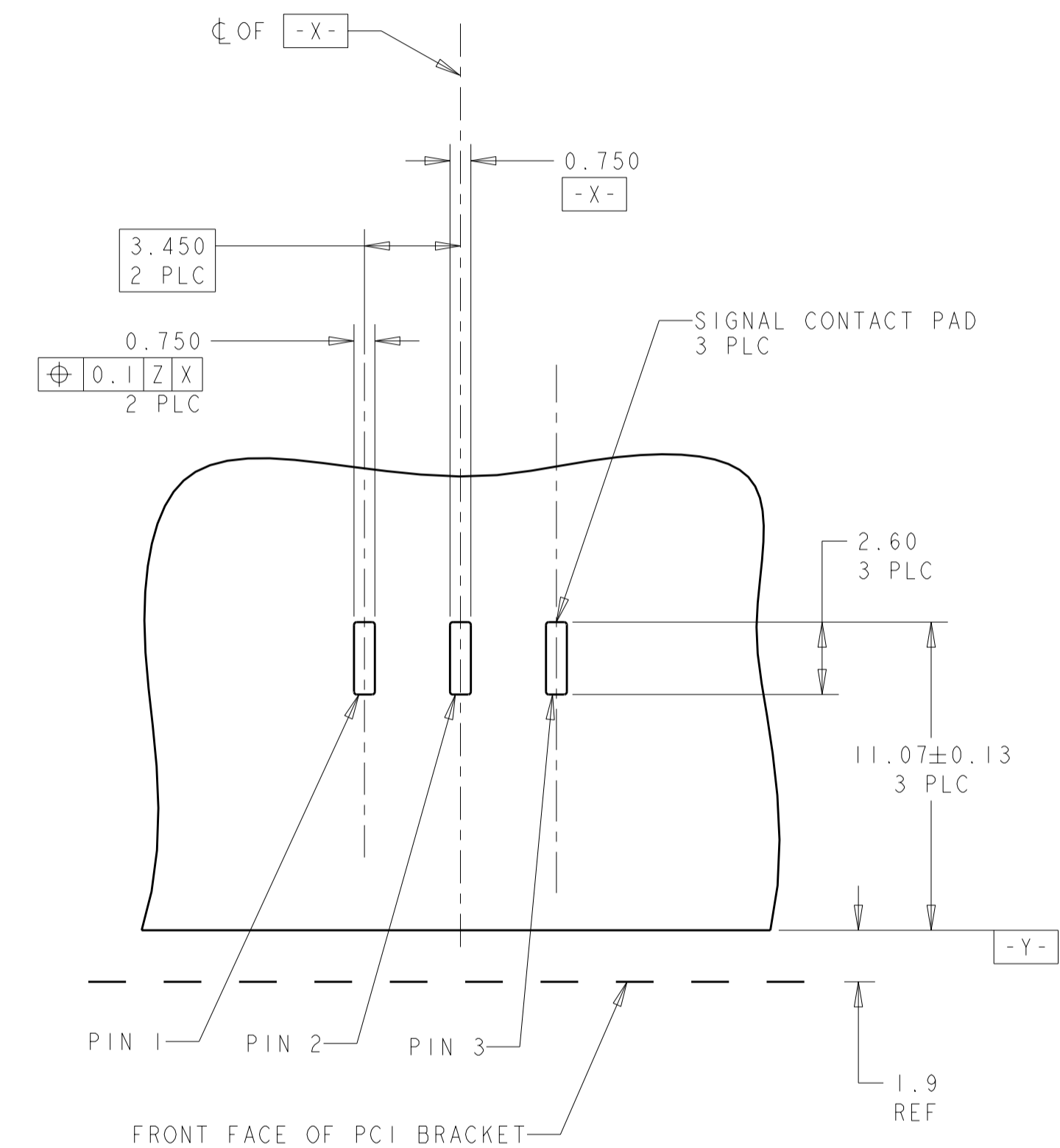
THIS DRAWING IS UNPUBLISHED. RELEASED FOR PUBLICATION 20
 © COPYRIGHT 20 BY TYCO ELECTRONICS CORPORATION. ALL RIGHTS RESERVED.

LOC	DIST	REVISIONS			
P	LTR	DESCRIPTION	DATE	DWN	APVD
AJ	00	-	SEE SHEET 1	-	-



RECOMMENDED PCB
STENCIL LAYOUT

CIRCUIT "A" SIGNAL CONTACT PAD: #1
 CIRCUIT "A" GROUND CONTACT PADS: #4, 5, 10
 CIRCUIT "B" SIGNAL CONTACT PAD: #2
 CIRCUIT "B" GROUND CONTACT PADS: #6, 7, 11
 CIRCUIT "C" SIGNAL CONTACT PAD: #3
 CIRCUIT "C" GROUND CONTACT PADS: #8, 9, 12
 EIGHT UNMARKED PADS w/PLATED-THROUGH HOLES ARE FOR SHELL MECHANICAL HOLDDOWN TAILS

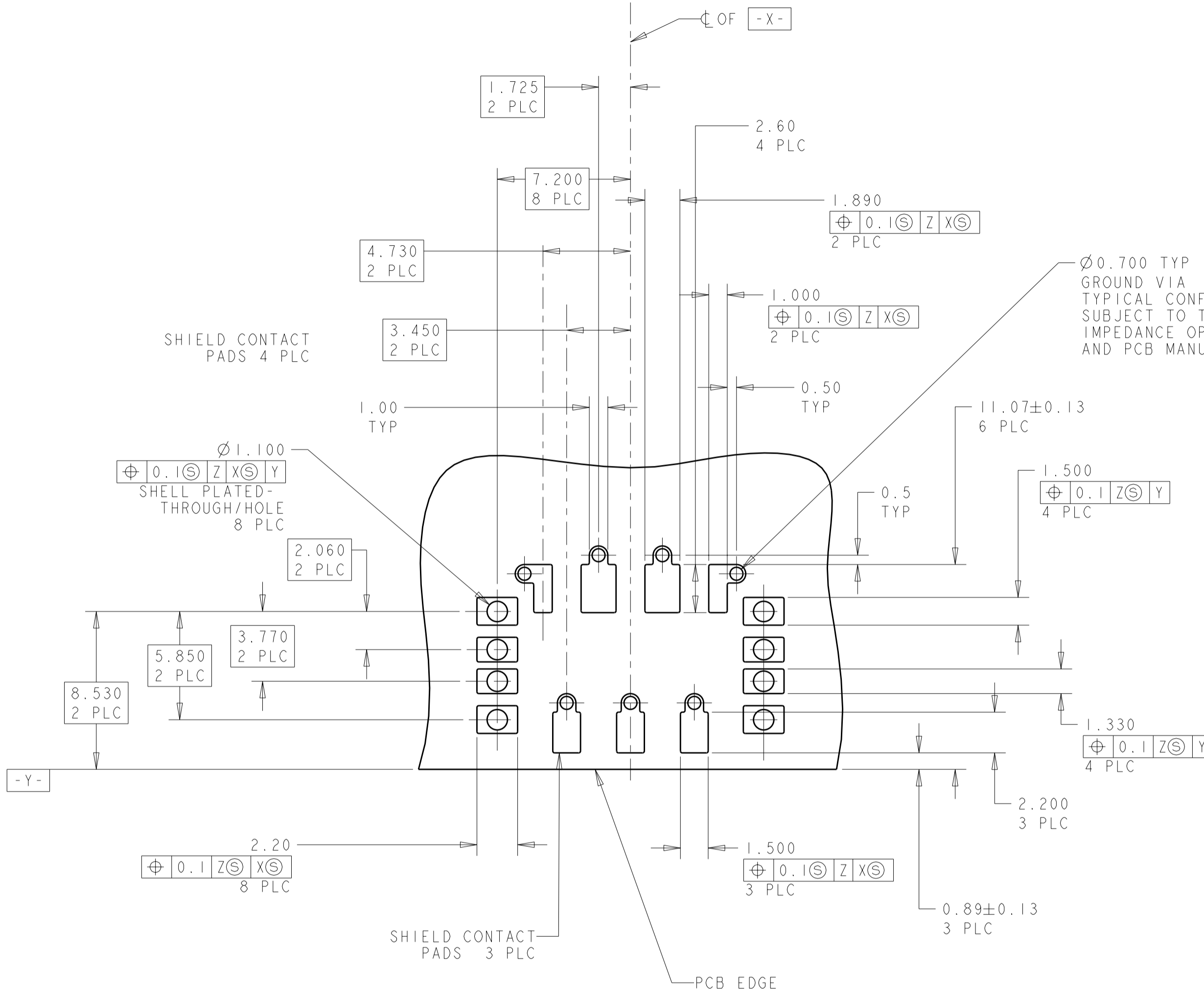


RECOMMENDED PCB LAYOUT
TOP SIGNAL LAYER PADS

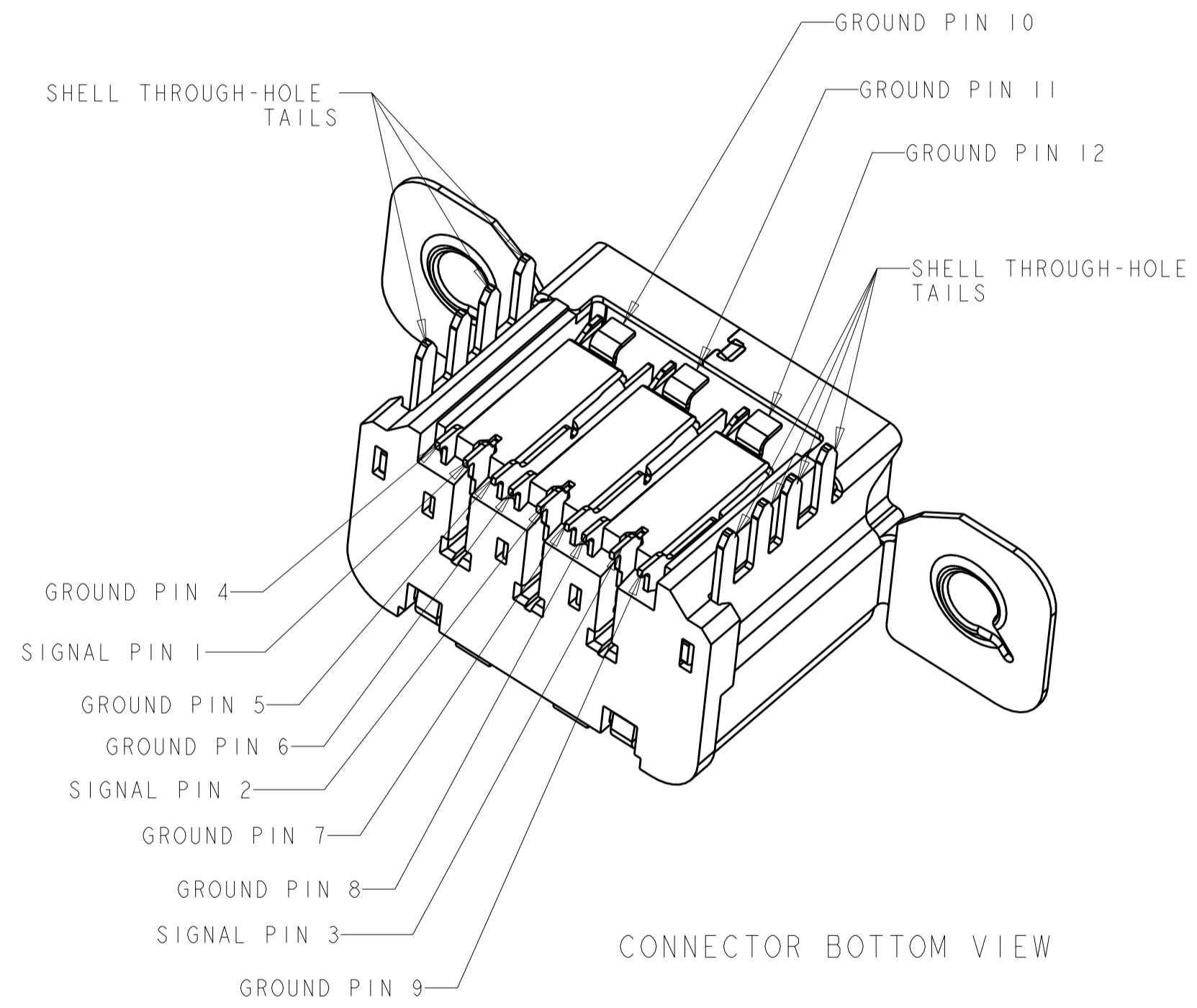
THIS DRAWING IS A CONTROLLED DOCUMENT FOR TYCO ELECTRONICS CORPORATION IT IS SUBJECT TO CHANGE AND THE CONTROLLING ENGINEERING ORGANIZATION SHOULD BE CONTACTED FOR THE LATEST REVISION.		DWN JJ CONSOLI 24 JAN 2007	06DEC2006	Tyco Electronics Harrisburg, PA 17105-3608
DIMENSIONS: mm		CHK JJ CONSOLI 24 JAN 2007	NAME	
TOLERANCES UNLESS OTHERWISE SPECIFIED: 0 PLC ± 1 PLC ± 2 PLC ±0.13 3 PLC ±0.013 4 PLC ± ANGLES ± FINISH		APVD JJ CONSOLI	PRODUCT SPEC 108-2324	
MATERIAL		APPLICATION SPEC 114-5397	RESTRICTED TO	
		WEIGHT	-	SIZE A200779
		CUSTOMER DRAWING	SCALE 5:1	DRAWING NO C-1274824
			SHEET 2 OF 5	REV H

4
3
2
1
D
C
B
A

LOC	DIST	REVISIONS				
P	LTR	DESCRIPTION	DATE	DWN	APVD	
AJ	00	SEE SHEET 1				



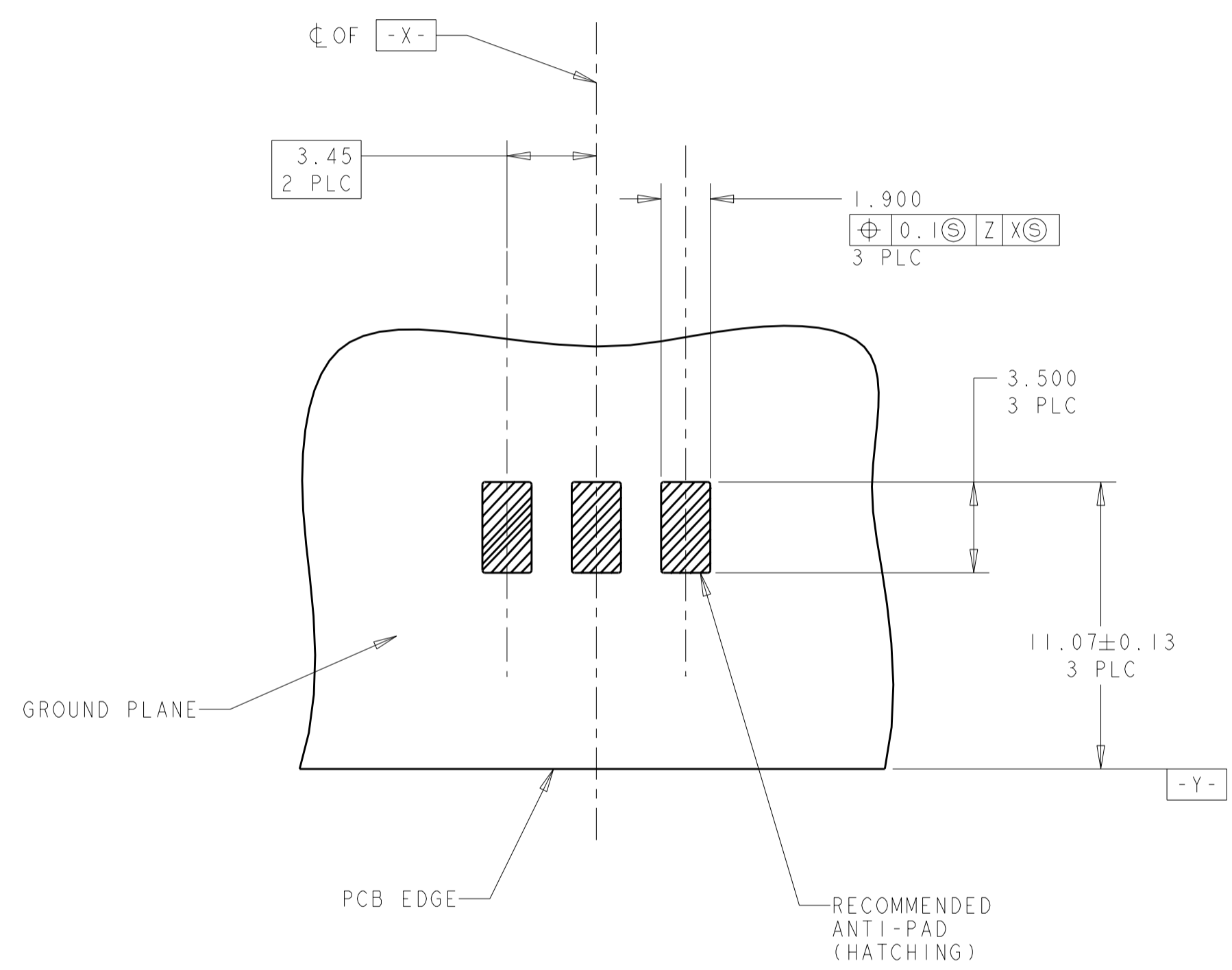
RECOMMENDED PCB LAYOUT
TOP GROUND LAYER WITH DISCRETE PADS



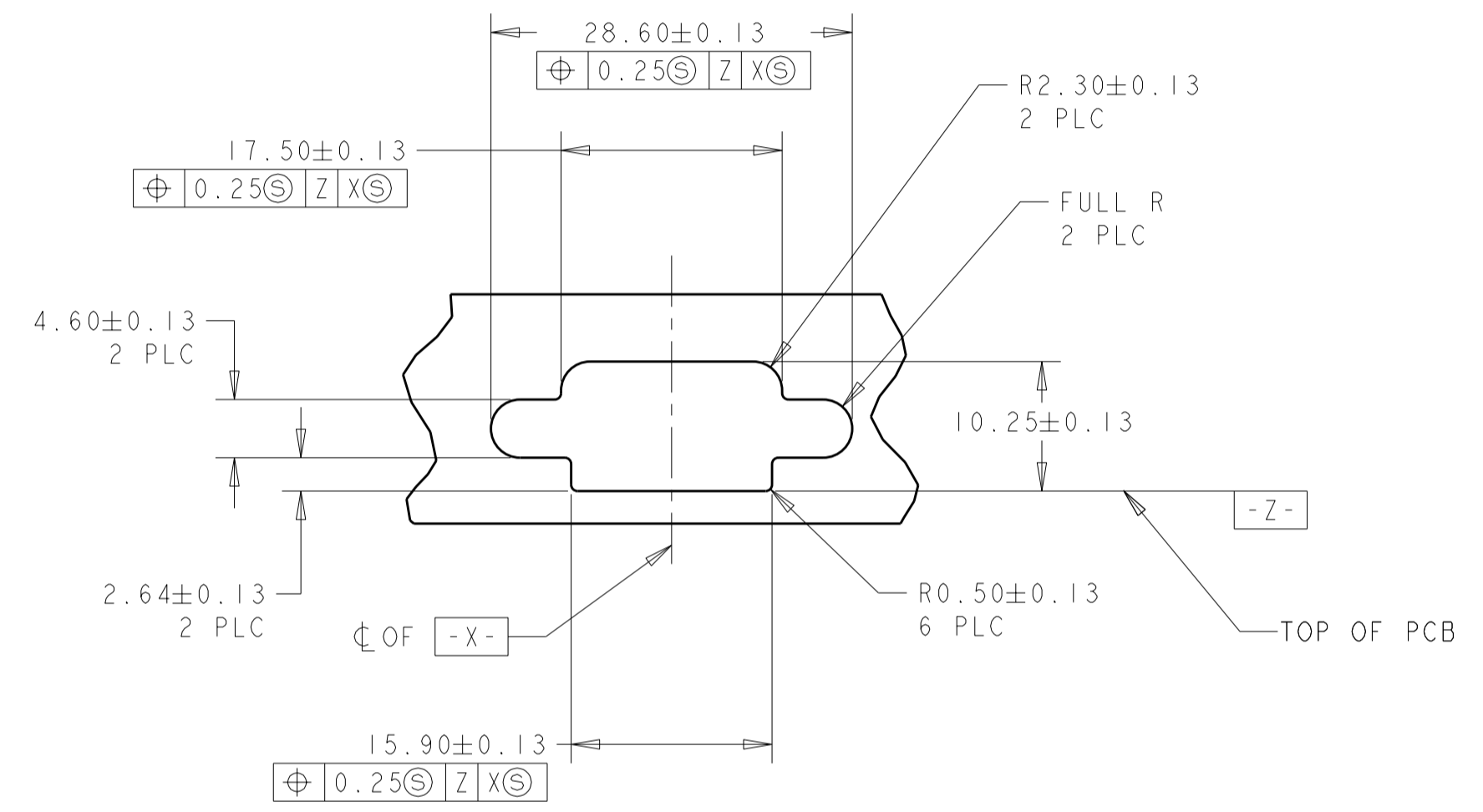
DIMENSIONS:		TOLERANCES UNLESS OTHERWISE SPECIFIED:		DWN	Tyco Electronics	
mm	mm	0 PLC	±	06DEC2006	Tyco Electronics	
		1 PLC	±	JJ CONSOLI	Harrisburg, PA 17105-3608	
		2 PLC	±0.13	CHK		
		3 PLC	±0.013	JJ CONSOLI		
		4 PLC	±	APVD		
MATERIAL	FINISH	ANGLES	±	JJ CONSOLI		
-	-	FINISH	-	PRODUCT SPEC	NAME	
				108-2324	PCB JACK, 3 PORT QSL, RIGHT ANGLE, THROUGH-HOLE, w/PANEL FLANGES	
				114-5397	SIZE	
					CAGE CODE	
					DRAWING NO	
					RESTRICTED TO	
					A200779C-1274824	
					SCALE 5:1 SHEET 3 OF 5 REV H	
					CUSTOMER DRAWING	

THIS DRAWING IS UNPUBLISHED. RELEASED FOR PUBLICATION 20
 © COPYRIGHT 20 BY TYCO ELECTRONICS CORPORATION. ALL RIGHTS RESERVED.

LOC	DIST	REVISIONS			
P	LTR	DESCRIPTION	DATE	DWN	APVD
AJ	00	-	SEE SHEET 1	-	-



RECOMMENDED PCB LAYOUT
 OF ANTIPADS FOR ALL GROUND AND POWER LAYERS

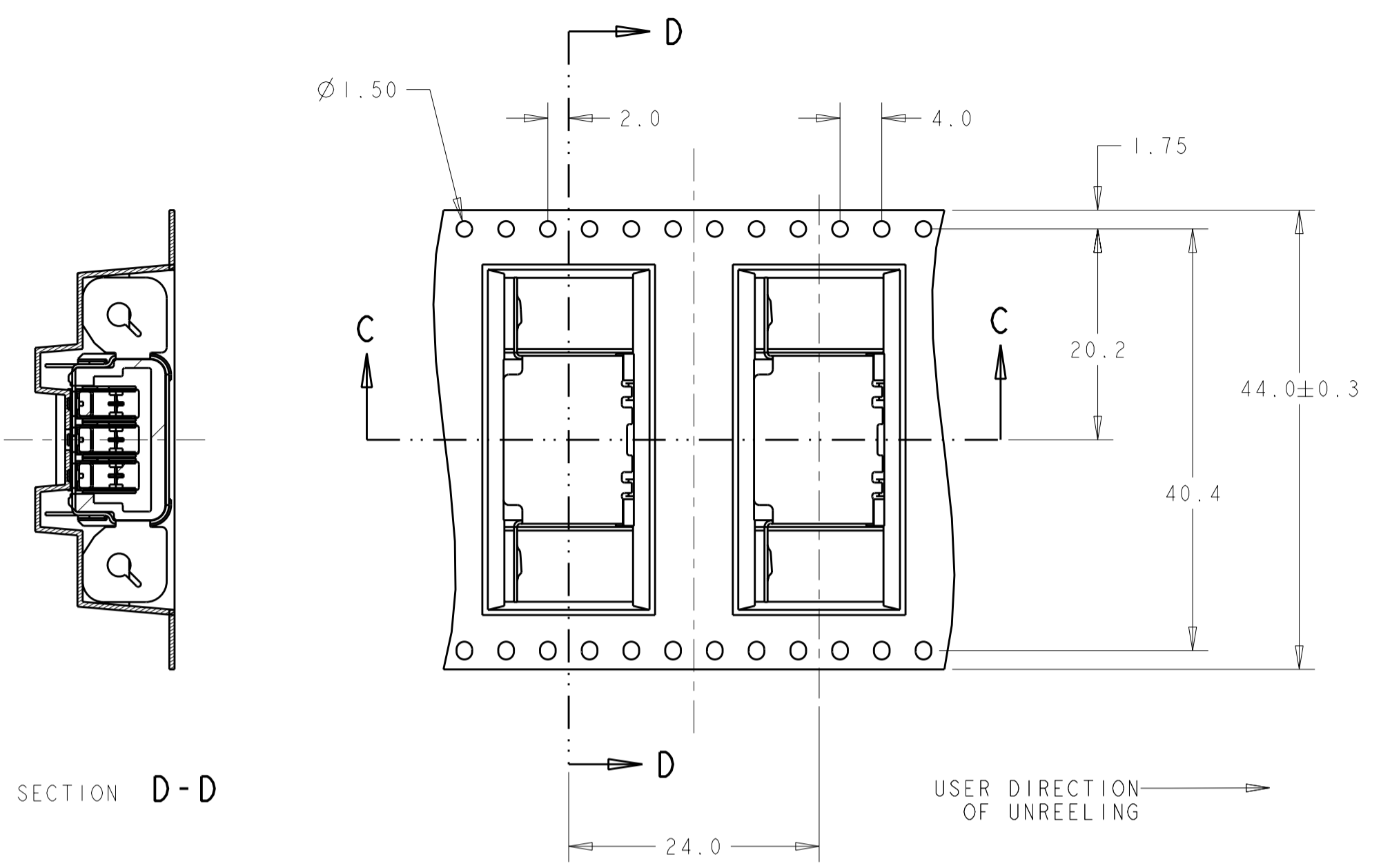


RECOMMENDED BRACKET CUT-OUT
 SCALE 2:1

THIS DRAWING IS A CONTROLLED DOCUMENT FOR TYCO ELECTRONICS CORPORATION. IT IS SUBJECT TO CHANGE AND THE CONTROLLING ENGINEERING ORGANIZATION SHOULD BE CONTACTED FOR THE LATEST REVISION.		DWN JJ CONSOLI 06DEC2006	Tyco Electronics Harrisburg, PA 17105-3608	
DIMENSIONS: mm		CHK JJ CONSOLI 24 JAN 2007	NAME PCB JACK, 3 PORT QSL, RIGHT ANGLE, THROUGH-HOLE, w/PANEL FLANGES	
TOLERANCES UNLESS OTHERWISE SPECIFIED: 0 PLC ± 1 PLC ± 2 PLC ±0.13 3 PLC ±0.013 4 PLC ± ANGLES ± FINISH		APVD JJ CONSOLI 24 JAN 2007	PRODUCT SPEC 108-2324	RESTRICTED TO -
MATERIAL -		APPLICATION SPEC 114-5397	WEIGHT -	SIZE A200779
		CUSTOMER DRAWING	SCALE 5:1	SHEET 4 OF 5 REV H

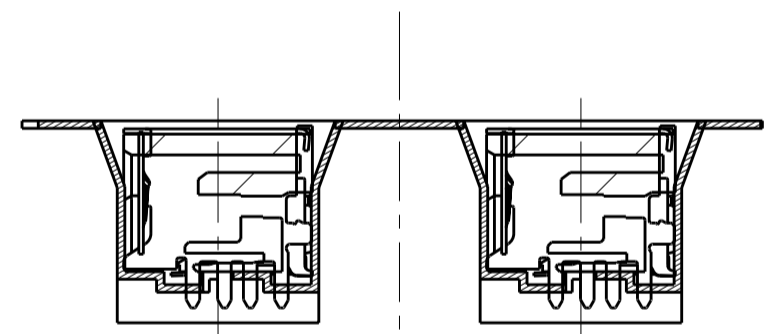
THIS DRAWING IS UNPUBLISHED. RELEASED FOR PUBLICATION 20
 © COPYRIGHT 20 BY TYCO ELECTRONICS CORPORATION. ALL RIGHTS RESERVED.

LOC	DIST	REVISIONS			
P	LTR	DESCRIPTION	DATE	DWN	APVD
		SEE SHEET 1			

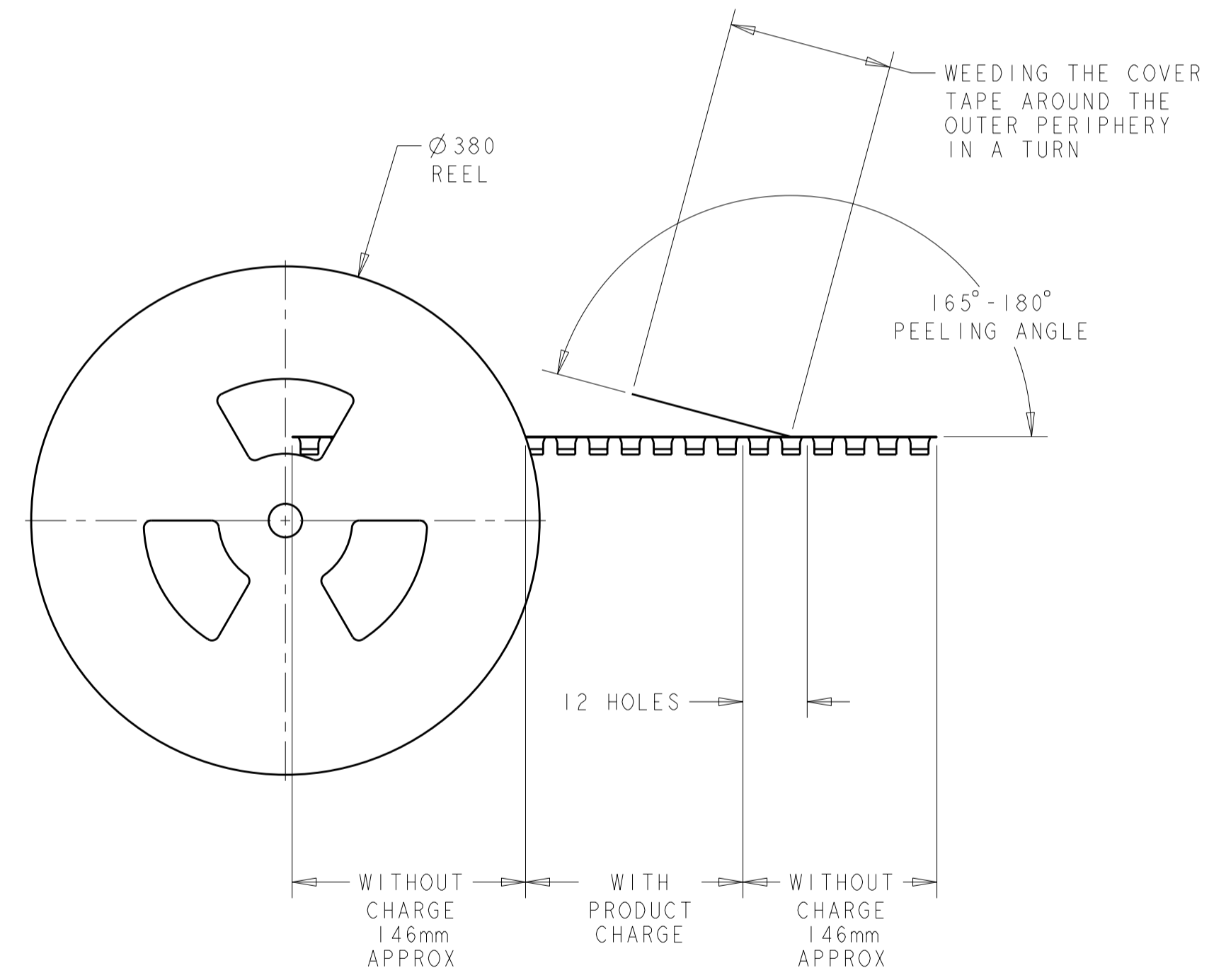
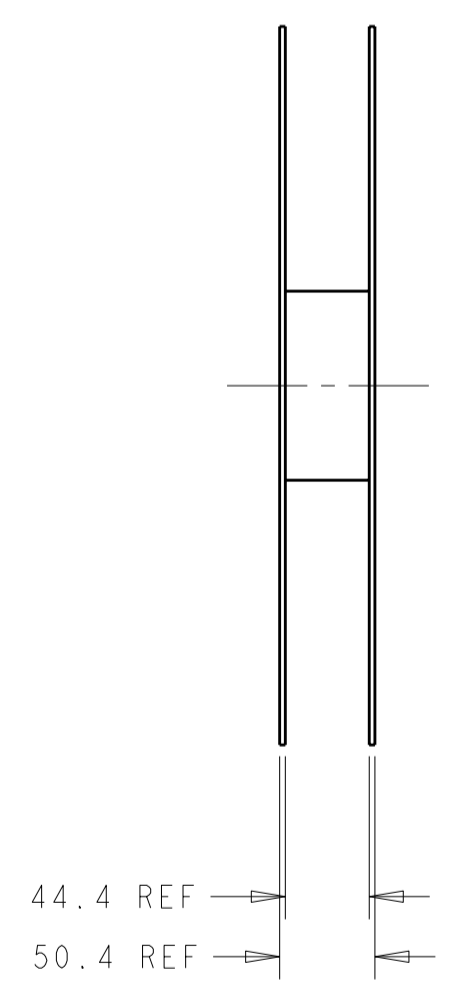


SECTION D-D

SCALE 2:1



SECTION C-C



270 PIECES/REEL

SCALE 1:4

<small>THIS DRAWING IS A CONTROLLED DOCUMENT FOR TYCO ELECTRONICS CORPORATION. IT IS SUBJECT TO CHANGE AND THE CONTROLLING ENGINEERING ORGANIZATION SHOULD BE CONTACTED FOR THE LATEST REVISION.</small>		DWN 06DEC2006 CHK JJ CONSOL APVD JJ CONSOL PRODUCT SPEC 108-2324 APPLICATION SPEC 114-5397 WEIGHT - CUSTOMER DRAWING	Tyco Electronics Harrisburg, PA 17105-3608 NAME PCB JACK, 3 PORT QSL, RIGHT ANGLE, THROUGH-HOLE, w/PANEL FLANGES SIZE A2 CAGE CODE 00779 DRAWING NO C-1274824 RESTRICTED TO - SCALE 5:1 SHEET 5 OF 5 REV H
DIMENSIONS: mm 	TOLERANCES UNLESS OTHERWISE SPECIFIED: 0 PLC ± 1 PLC ± 2 PLC ±0.13 3 PLC ±0.013 4 PLC ± ANGLES ± FINISH	Tyco Electronics Harrisburg, PA 17105-3608 NAME PCB JACK, 3 PORT QSL, RIGHT ANGLE, THROUGH-HOLE, w/PANEL FLANGES SIZE A2 CAGE CODE 00779 DRAWING NO C-1274824 RESTRICTED TO - SCALE 5:1 SHEET 5 OF 5 REV H	Tyco Electronics Harrisburg, PA 17105-3608 NAME PCB JACK, 3 PORT QSL, RIGHT ANGLE, THROUGH-HOLE, w/PANEL FLANGES SIZE A2 CAGE CODE 00779 DRAWING NO C-1274824 RESTRICTED TO - SCALE 5:1 SHEET 5 OF 5 REV H