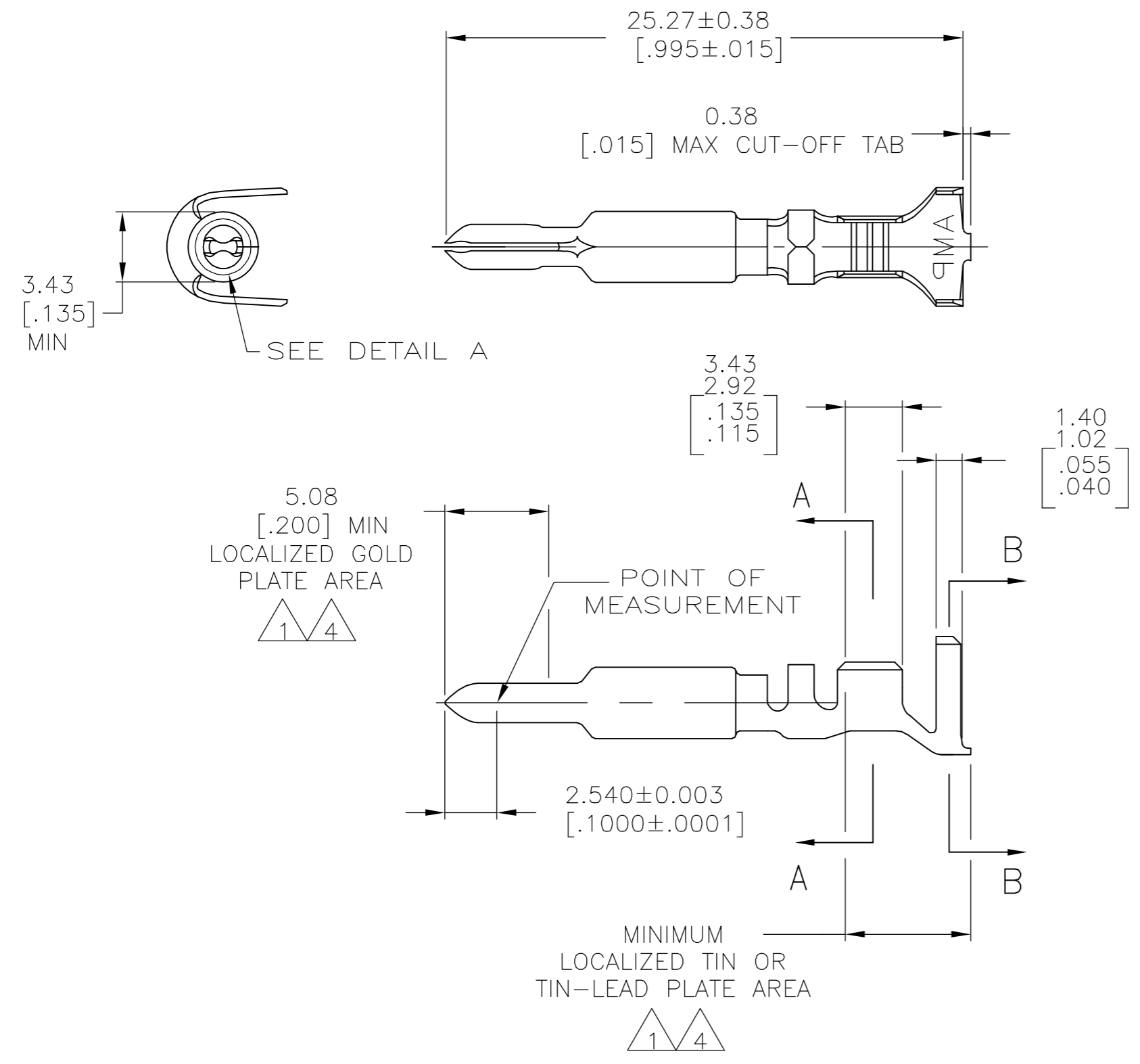
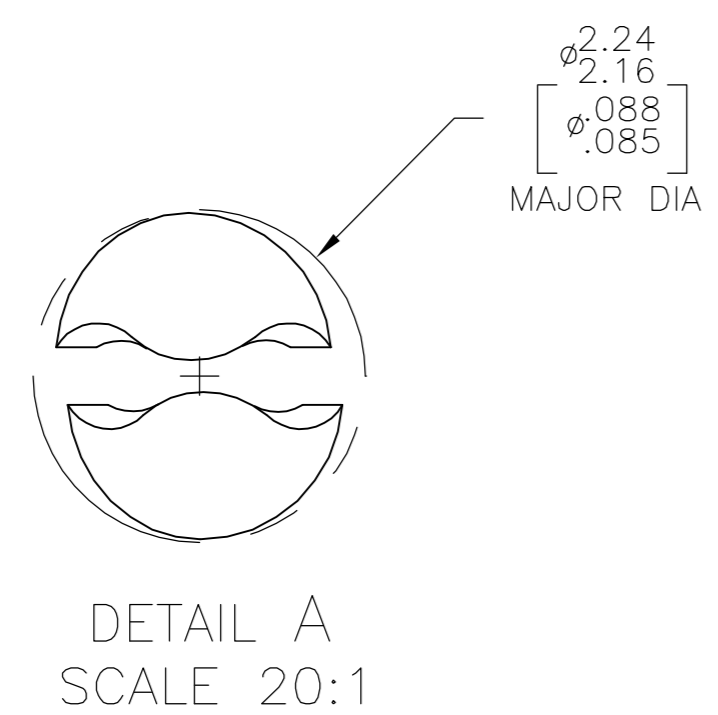
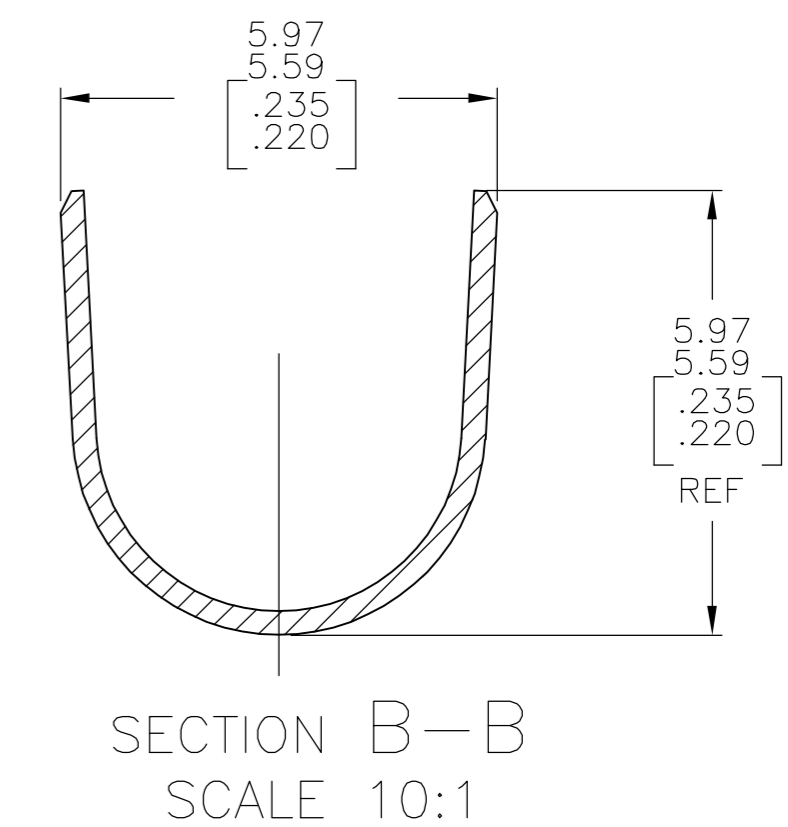
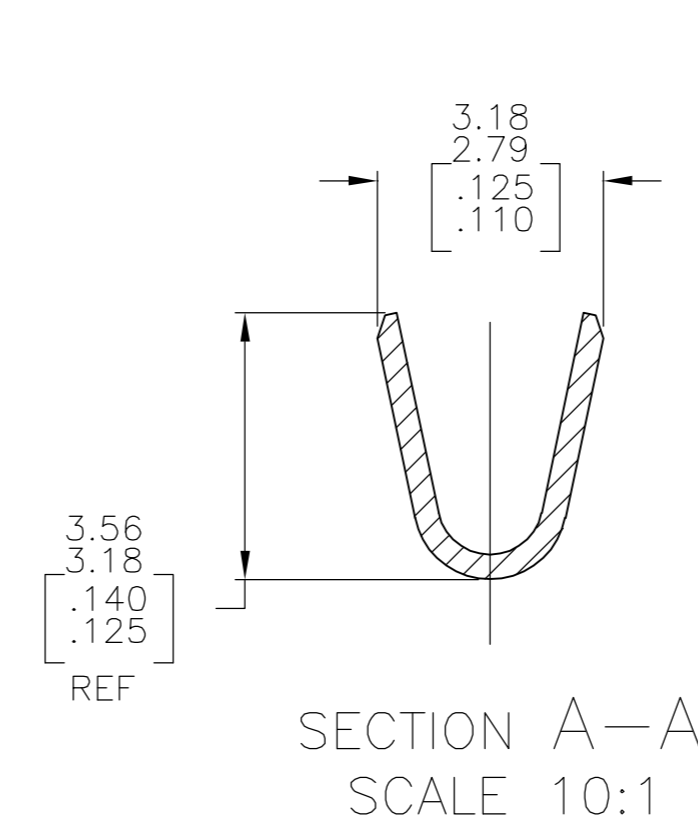


THIS DRAWING IS UNPUBLISHED. RELEASED FOR PUBLICATION  
 © COPYRIGHT BY TYCO ELECTRONICS CORPORATION. ALL RIGHTS RESERVED.

LOC	DIST	REVISIONS			
P	LTR	DESCRIPTION	DATE	DWN	APVD
CM	00	F	EC 063B 0215 05	22SEP05	BSV RCJ



- 1. 0.00076[.000030] MIN GOLD AT POINT OF MEASUREMENT IN THE LOCALIZED GOLD PLATE AREA, 0.00127[.000050] MIN TIN-LEAD IN TIN-LEAD PLATE AREA, 0.00127[.000050] MIN NICKEL UNDERPLATE ON ENTIRE CONTACT.
- 2. WIRE RANGE: 0.5-2mm<sup>2</sup> [20-14 AWG]. INSULATION RANGE: 3.30-5.08 [.130-.200] DIA.
- 3. DIMENSIONS IN BRACKETS ARE IN INCHES.
- 4. 0.00076[.000030] MIN GOLD AT POINT OF MEASUREMENT IN THE LOCALIZED GOLD PLATE AREA, 0.00127[.000050] MIN TIN IN TIN PLATE AREA, 0.00127[.000050] MIN NICKEL UNDERPLATE ON ENTIRE CONTACT.



METRIC

FINISH	MATERIAL	PART NUMBER
GOLD 1	0.30 [.012] BRASS	1-770248-0
GOLD 4	0.30 [.012] BRASS	770248-2
PRE-TIN	0.30 [.012] BRASS	770248-1

THIS DRAWING IS A CONTROLLED DOCUMENT.		DWN S. CARPENTER 21MAY03	tyco Tyco Electronics Corporation	
DIMENSIONS: mm [INCHES]		CHK C.JONES 21MAY03	Harrisburg, PA 17105-3608	
TOLERANCES UNLESS OTHERWISE SPECIFIED:		APVD C.JONES 21MAY03	NAME PIN, LOOSE PIECE, UNIVERSAL MATE-N-LOK(TM) II	
0 PLC ± -	1 PLC ± -	PRODUCT SPEC	SIZE A2	CAGE CODE 00779
2 PLC ± -	3 PLC ± -	APPLICATION SPEC	DRAWING NO C=770248	RESTRICTED TO -
4 PLC ± -	ANGLES ± -	FINISH SEE TABLE	WEIGHT -	SCALE 4:1
MATERIAL SEE TABLE	FINISH SEE TABLE	CUSTOMER DRAWING	SHEET 1 of 1	REV F