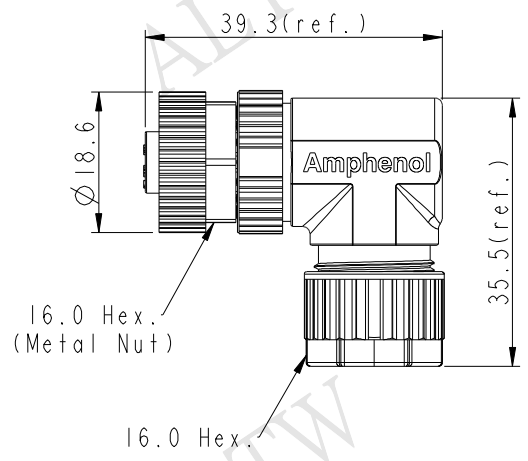
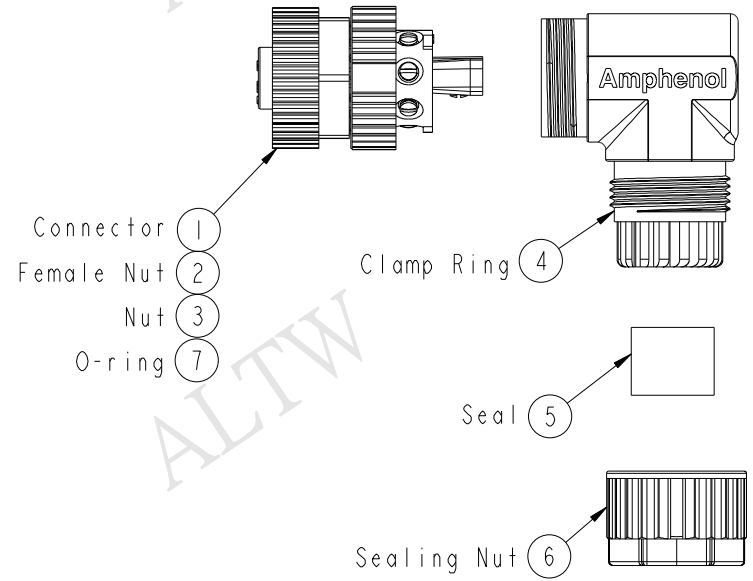


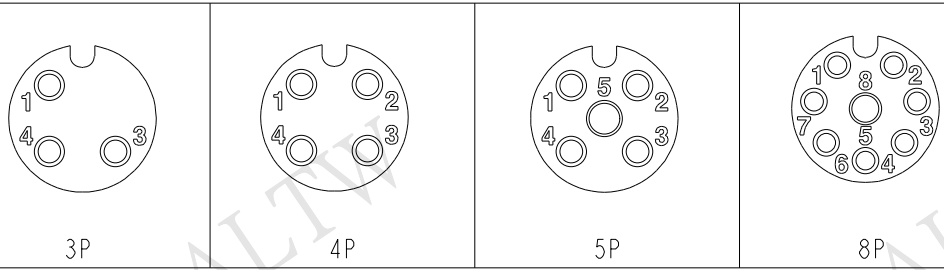
REV.	ECN NO.	DATE	SIGN	DESCRIPTION

**ALTW**  
**CONFIDENTIAL**  
**2015-09-29**  
**R&D DEPT.**

360° Adjustable Key Code Direction



**ALTW**  
**DCC. DEPT.**  
**CONFIDENTIAL**  
**2015.10.28**  
**ISSUED**

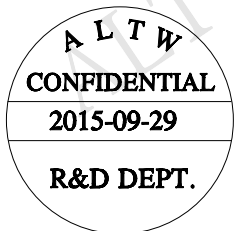
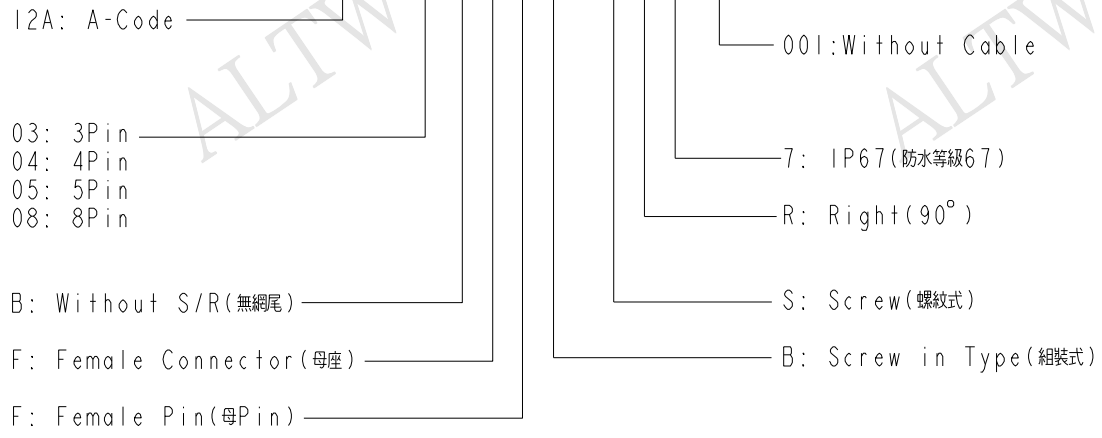


Pin Assignments Front View

UNIT:mm TOLERANCE ±0.5mm		TITLE M12 A-Code 90° Assy F Conn. F Pin		<h1>Amphenol LTW</h1> 安費諾亮泰企業股份有限公司	ITEM NO	DRAWN BY Mila	DATE 2015-09-29	
		SCALE 1:1	SIZE A4		SHEET 1 OF 2	DWG NO M12A-XXBFFB-SR7001	CHECKED BY Cary	DATE 2015-09-29
		REV. A	WC-REV. A.2		QC: Inspection item	CUSTOMER ALTW	APPROVED BY Jerry	DATE 2015-09-29

THIS DOCUMENT IS SUBJECT TO CHANGE WITHOUT NOTICE. IT IS CONFIDENTIAL AND A PROPERTY OF Amphenol LTW. DISCLOSURE TO THIRD PARTY HAS TO BE AUTHORIZED BY Amphenol LTW.

M 12A - XX B F F B - S R 7 001



- Note:
- \*  $\varnothing$  Important Dimension To Check.
  - \* Waterproof Rate: IP67
  - \* Housing: Nylon, Black
  - \* Clamp Cage: Nylon, Black
  - \* Female Pin: Copper Alloy, Gold Plated
  - \* Female Nut: Zinc Alloy, Nickel Plated
  - \* Nut: Zinc Alloy, Nickel Plated
  - \* O-Ring: Silicon, Grey
  - \* Clamp Ring: Nylon, Black
  - \* Sealing Nut: PBT+PC, Black
  - \* Seal: Silicon, Grey
  - \* Seal For Cable OD:  $\varnothing 4.0\text{mm} \sim \varnothing 7.0\text{mm}$
  - \* Screws for Wire connection recommended tightening torque: 0.61~0.84 kgf.cm / 0.059~0.082 N.m
  - \* Applicable Wire gauge (Stranded wire cross section) 0.14mm<sup>2</sup> (26AWG) ~ 0.82mm<sup>2</sup> (18AWG)
  - \* Mating Recommended tightening torque: 3~4 kgf.cm / 0.29~0.39 N.m
  - \* Sealing-Nut Recommended tightening torque: 4~6 kgf.cm / 0.39~0.59 N.m
  - \* Detailed applicable wire specifications may vary depending on the actual wire construction.

UNIT: mm		
TOLERANCE		
±0.5mm		

TITLE M12 A-Code 90° Assy F Conn. F Pin			
SCALE 1:1	SIZE A4	SHEET 2 OF 2	
REV. A	WC-REV. A.2	$\varnothing$ : Inspection item	

**Amphenol LTW**  
安費諾亮泰企業股份有限公司

ITEM NO	DRAWN BY Mila	DATE 2015-09-29
DWG NO M12A-XXBFFB-SR7001	CHECKED BY Cary	DATE 2015-09-29
CUSTOMER ALTW	APPROVED BY Jerry	DATE 2015-09-29