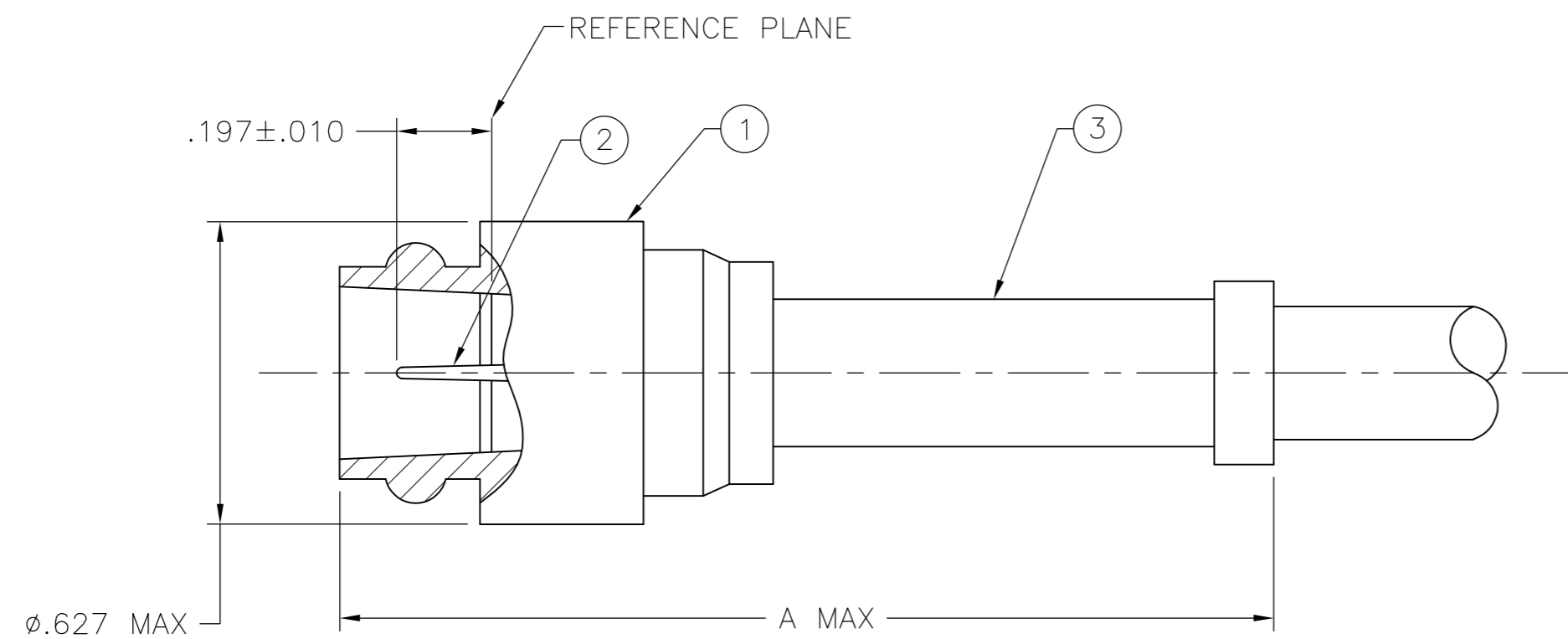
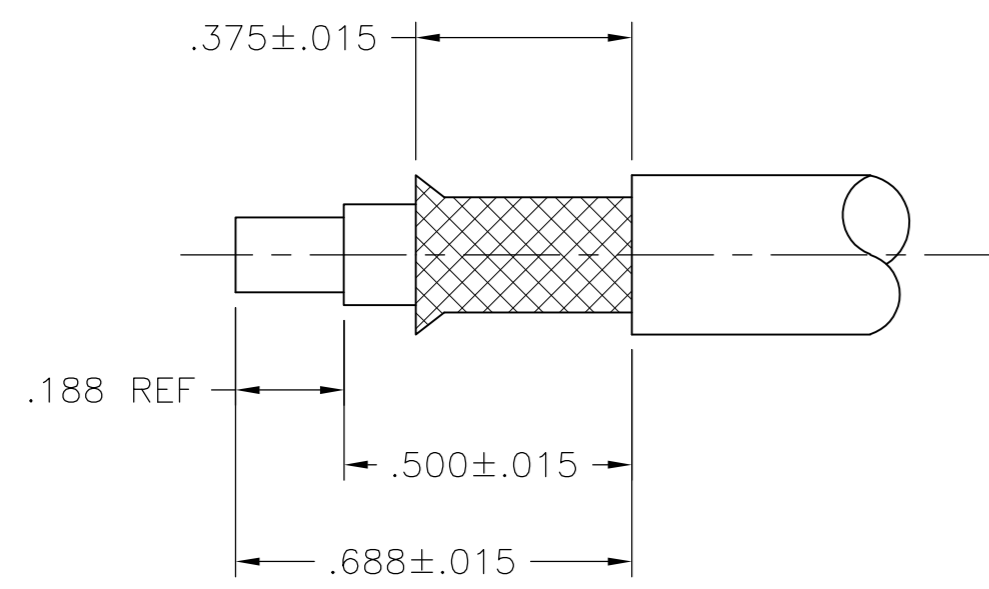


THIS DRAWING IS UNPUBLISHED. RELEASED FOR PUBLICATION  
 © COPYRIGHT BY TYCO ELECTRONICS CORPORATION. ALL RIGHTS RESERVED.

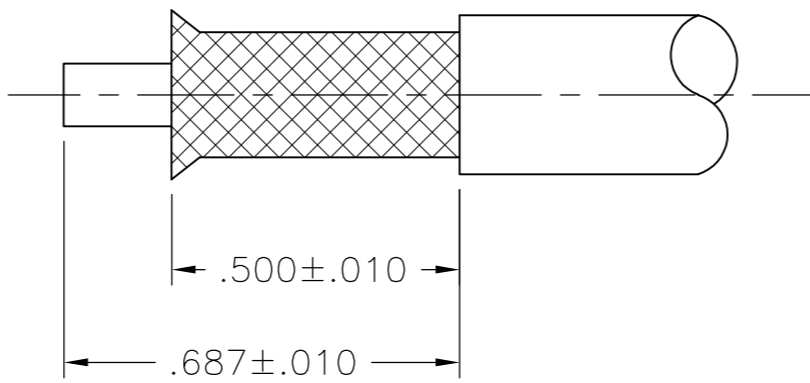
LOC	DIST	REVISIONS					
		P	LTR	DESCRIPTION	DATE	DWN	APVD
AJ	17	0		RELEASED PER EC OS14-0496-04	14FEB05	BM	GM
		01		REVISED PER ECO-09-024606	31OCT09	KK	AEG



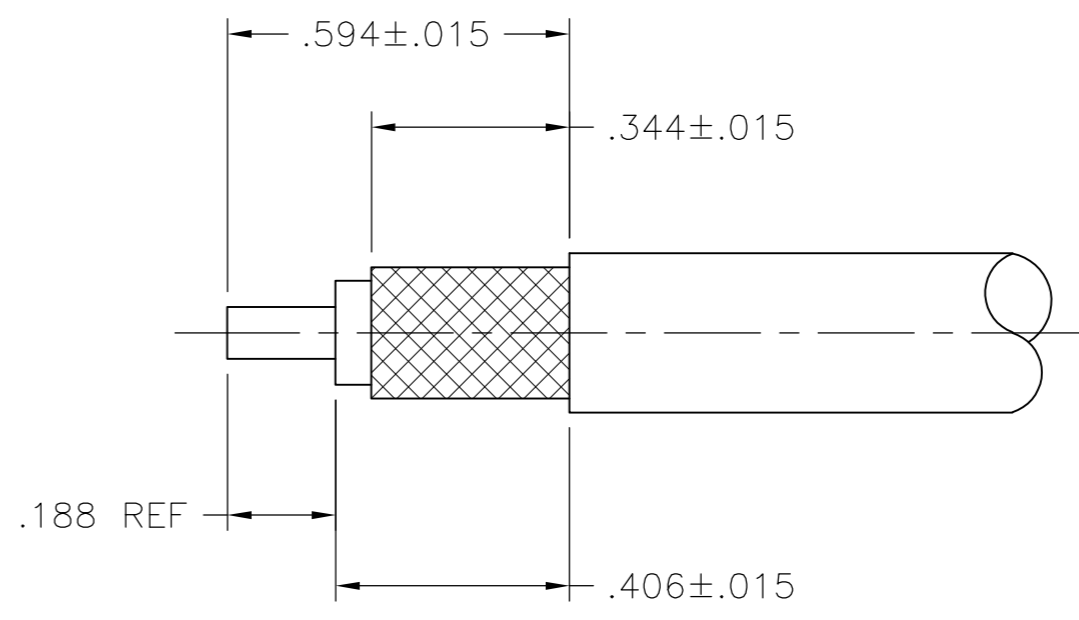
- 1. SEE 1.5. 2028-2
- ② RG-9/U, RG-9A/U, RG-9B/U & RG-214/U
- ③ OBSOLETE PARTS: OBSOLETE CIS STREAMLINING PER D.RENAUD/D.SINISI



DETAIL X



DETAIL Y



DETAIL Z

RECOMMENDED STRIP LENGTHS

	RG-58/U & RG-58C/U	DETAIL Z	1.765	220045-2	9-225560-1	225106-1	226668-1	1-5225664-2
	RG-213/U & RG-8/U	DETAIL X	1.937	220015-1	9-331987-0	51704-2	225082-3	5225664-2
③ OBSOLETE	②	DETAIL Y	1.937	220015-1	9-331987-1	51704-2	225082-3	5225664-1
	CABLE	STRIP LENGTH	A MAX	CRIMP TOOL	③ FERRULE QTY: 1	② CONTACT QTY: 1	① JACK BODY QTY: 1	PART NUMBER

THIS DRAWING IS A CONTROLLED DOCUMENT.

DWN	B.MCMASTER	14FEB05	Tyco Electronics Corporation Harrisburg, Pa 17105-3608
CHK	G. MICHAEL	14FEB05	
APVD	G. MICHAEL	14FEB05	
NAME	G. MICHAEL		
DIMENSIONS: INCHES			PRODUCT SPEC
TOLERANCES UNLESS OTHERWISE SPECIFIED:			APPLICATION SPEC
0 PLC ± - 1 PLC ± - 2 PLC ± - 3 PLC ± - 4 PLC ± - ANGLES ± -			WEIGHT
MATERIAL			FINISH
CUSTOMER DRAWING			SIZE: A2 CAGE CODE: 00779 DRAWING NO: C=5225664 RESTRICTED TO: -
SCALE: 2:1			SHEET 1 OF 1
REV: 01			

5225664