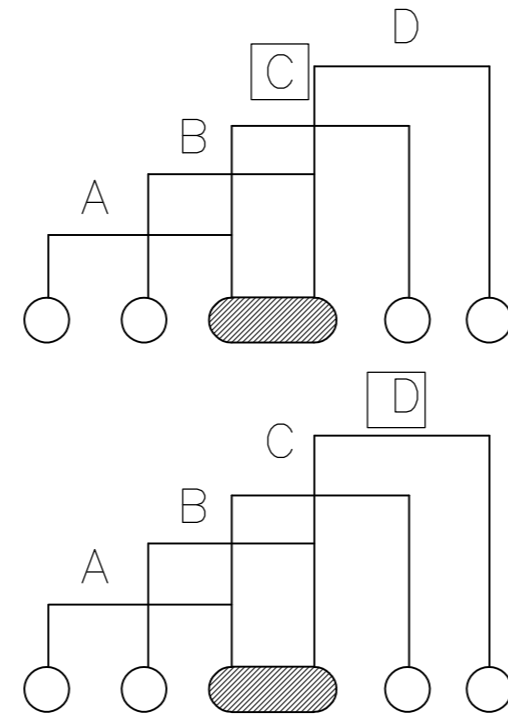
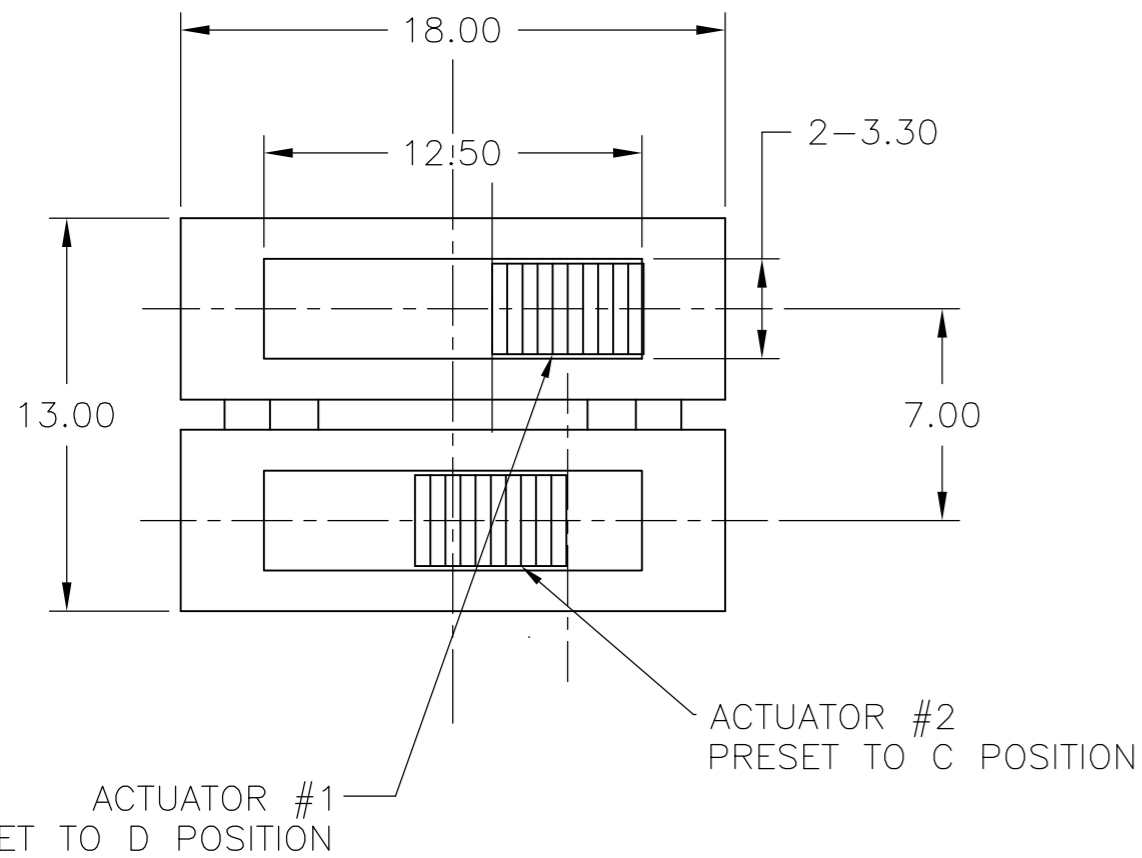


THIS DRAWING IS UNPUBLISHED. RELEASED FOR PUBLICATION  
 © COPYRIGHT BY TYCO ELECTRONICS CORPORATION. ALL INTERNATIONAL RIGHTS RESERVED.

LOC		DIST		REVISIONS			
P	LTR	DESCRIPTION		DATE	DWN	APVD	
AD	00	B1	REVISED PER ECO-09-015272	29JUN09	HMR	MW	



SCHEMATIC

SPECIFICATIONS:  
 2X SINGLE POLE FOUR THROW  
 MAKE-BEFORE-BREAK

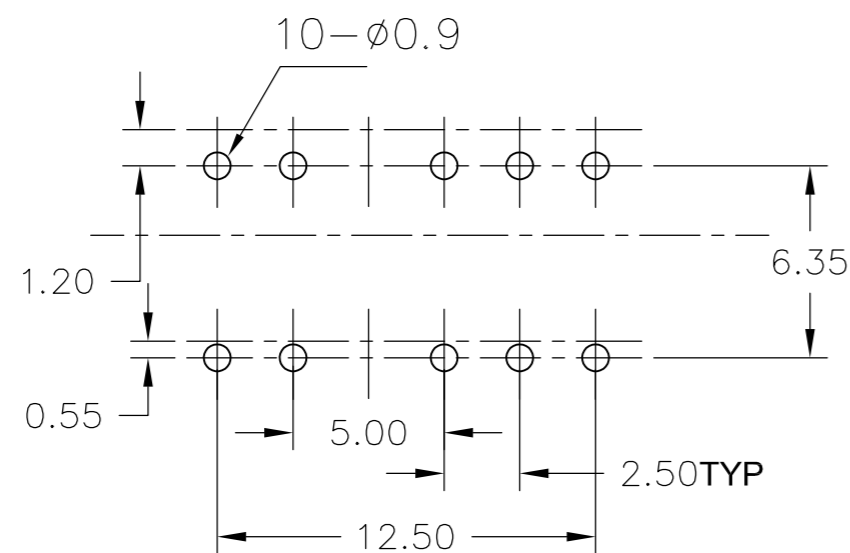
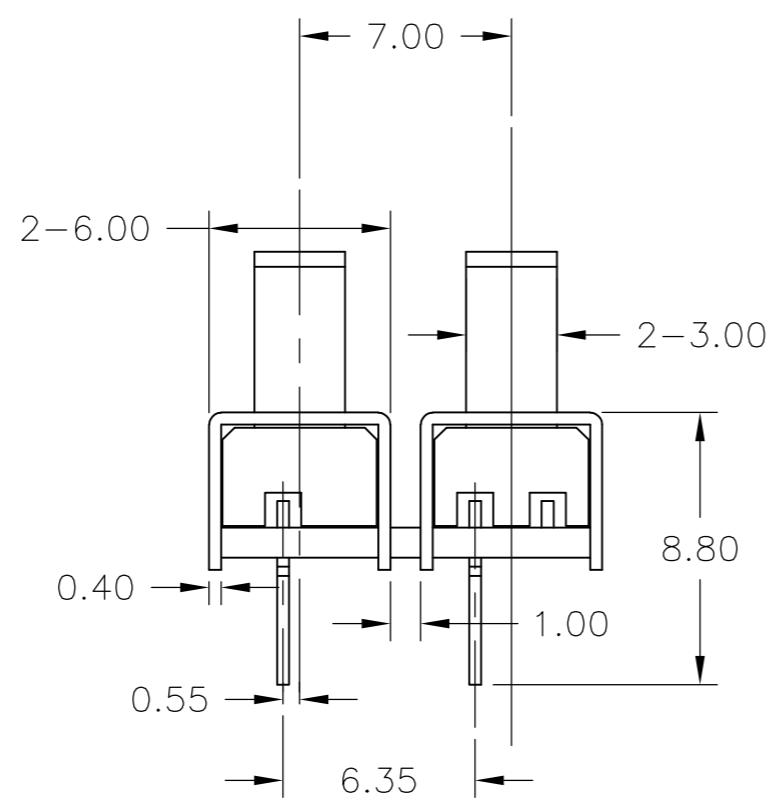
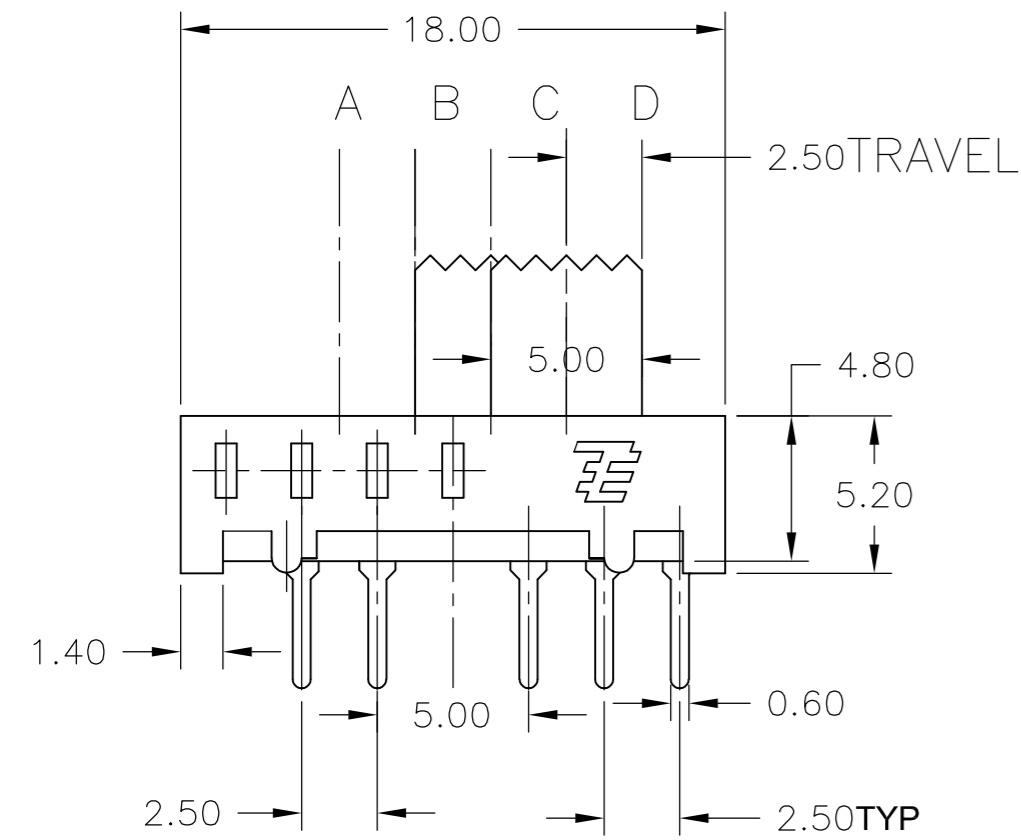
MATERIALS:  
 ACTUATOR, NYLON, BLACK FINISH  
 FRAME, STEEL, NICKEL FINISH  
 TERMINAL BOARD, PL SHEET  
 TERMINAL, COPPER ALLOY, SILVER PLATE  
 CONTACTS, COPPER ALLOY, SILVER NICKEL PLATE  
 SPRING, STAINLESS STEEL  
 BALL, STEEL

ELECTRICAL:  
 MAXIMUM CONTACT RATING, 250MILLIAMPS @ 125V AC  
 INITIAL CONTACT RESISTANCE, 30 MILLIOHMS MAX, INITIAL, 60 MILLIOHMS AFTER TESTING  
 INSULATION RESISTANCE, 500 MEGOHM MIN  
 DIELECTRIC STRENGTH, 500V AC RMS @ SEA LEVEL  
 LIFE EXPECTANCY, 10,000 CYCLES

MECHANICAL:  
 ACTUATION FORCE, 250 +150/-100 GF  
 ACTUATION TRAVEL, 2.50  
 LIFE EXPECTANCY, 10,000 CYCLES

ENVIRONMENTAL:  
 OPERATING TEMPERATURE, -30 TO +85 DEGREES C, PER EIA 448, METHOD 10  
 STORAGE TEMPERATURE, -30 TO +85 DEGREES C  
 THERMAL SHOCK, PER EIA-364-32C, -30 TO 85 DEGREES C  
 SOLDERABILITY, PER EIA-364-52, CLASS 2, CATEGORY 1, 95% MINIMUM COVERAGE  
 RESISTANCE TO SOLDER HEAT, PER 109-202, COND. B-260°C/10SEC

1. ALL MATERIALS AND FINISHES SHALL COMPLY WITH EU DIRECTIVE 2002/95/EC OF 27JAN2003 (ROHS)



HOLE LAYOUT

1977389

1977389-1  
 PART NUMBER

THIS DRAWING IS A CONTROLLED DOCUMENT.		DWN M.BINNER 22MAY2008	Tyco Electronics Corporation Harrisburg, PA 17105-3608	
DIMENSIONS: mm		CHK M.SARVER 22MAY08	NAME SLIDE SWITCH, DUAL SP4T	
TOLERANCES UNLESS OTHERWISE SPECIFIED:		APVD M.SARVER 22MAY08	SIZE A2	
0 PLC ± -		PRODUCT SPEC	CAGE CODE 00779	DRAWING NO C=1977389
1 PLC ± -		APPLICATION SPEC	RESTRICTED TO	
2 PLC ± 0.25			SCALE 4:1	SHEET 1 of 1
3 PLC ± -		WEIGHT	REV B1	
4 PLC ± -		CUSTOMER DRAWING		
ANGLES ± -				
FINISH				